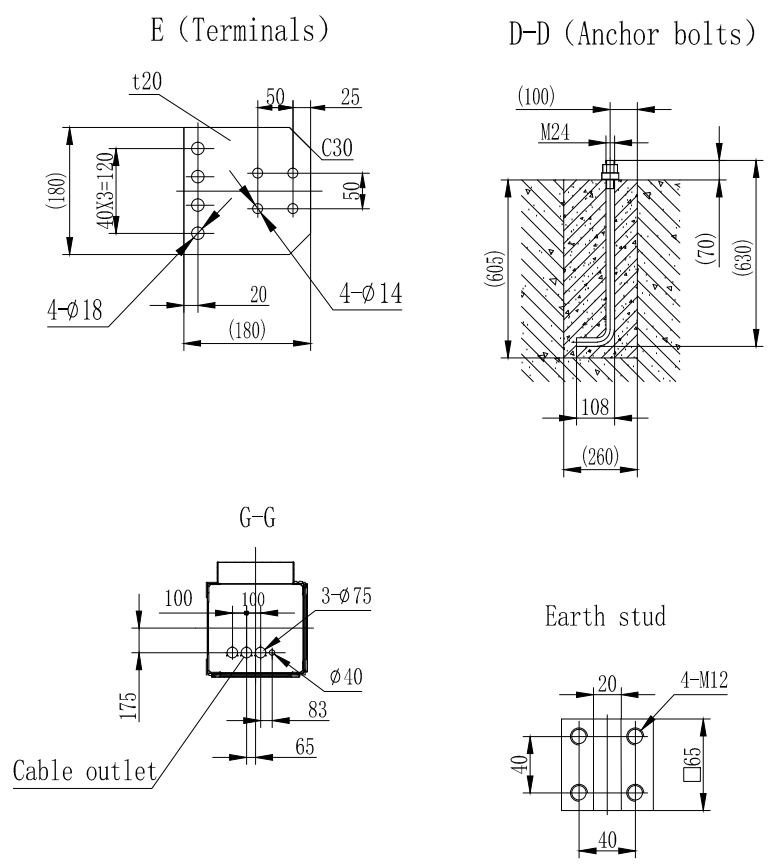
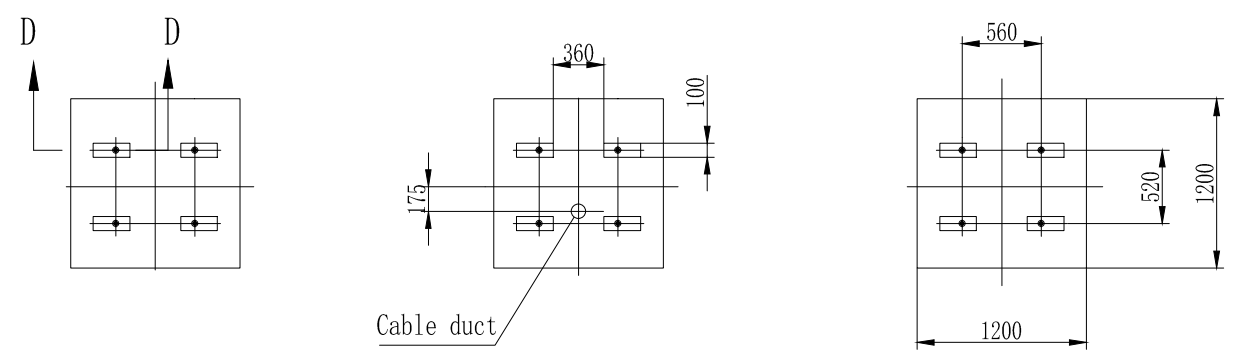


- Technical Requirement
- Static load: 4000kg (three pole); 1333kg (single pole);
Dynamic load: Horizontal direction 22000N;
Vertical direction (upward) 30000N,
Vertical direction (down) 50000N.
 - The surface levelness of concrete is not greater than 1.5mm²



Base Drawing



For Reference Only

ALL DIMENSIONS IN MILLIMETRES UNLESS OTHERWISE NOTED					 3RD ANGLE PROJECTION		LW43-252		 CHINT ELECTRIC Power Transmission & Distribution 3255 Sixian Road Songjiang District 201614 Shanghai, China Tel: +86 21 6777 7777 Fax: +86 21 6777 7999 © COPYRIGHT CHINT ELECTRIC CO., LTD		Outline and Foundation Drawing of 252kV Circuit Breaker -monopolar		<table border="1"> <tr> <td>Designed</td> <td>Scale</td> <td>DRAWING NUMBER</td> <td>Rev.</td> </tr> <tr> <td>Checked</td> <td>Page</td> <td></td> <td>1</td> </tr> <tr> <td>Approved</td> <td>Date</td> <td></td> <td></td> </tr> </table>		Designed	Scale	DRAWING NUMBER	Rev.	Checked	Page		1	Approved	Date		
Designed	Scale	DRAWING NUMBER	Rev.																							
Checked	Page		1																							
Approved	Date																									
1	2	3	4	5	6	7	8																			