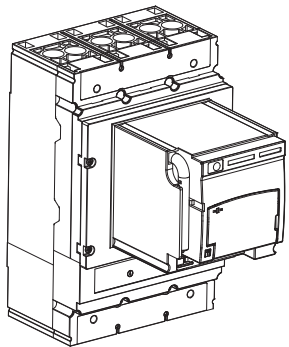


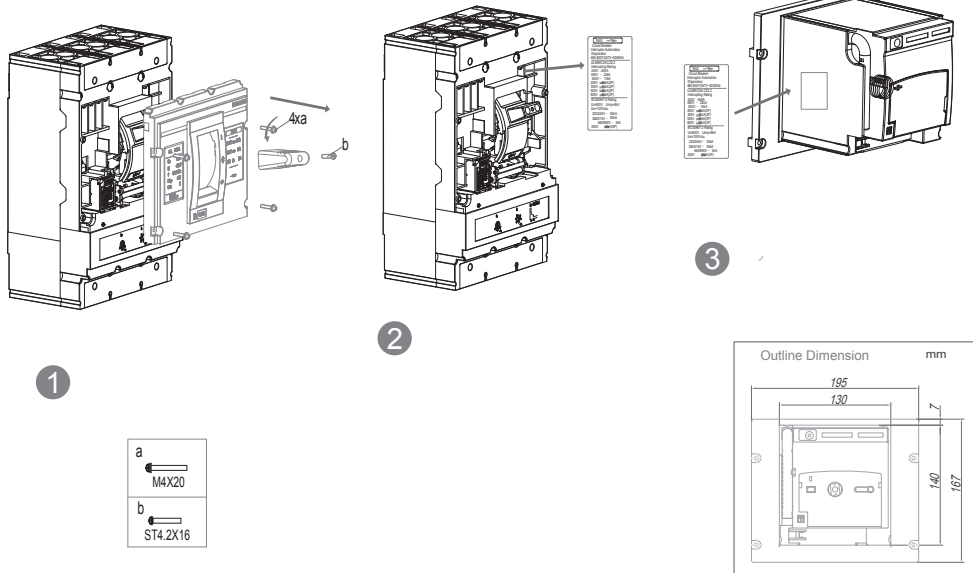
MOD24N

Motor Mechanism

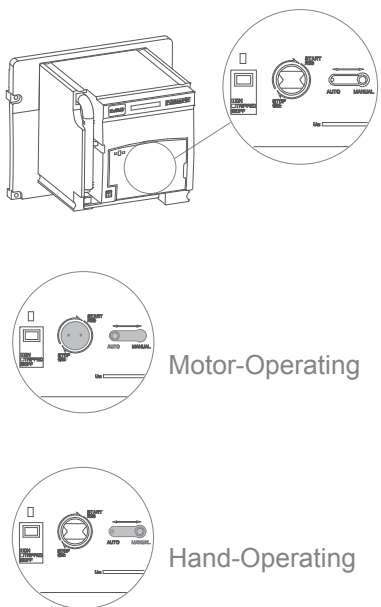


NOARK

A



B



C

