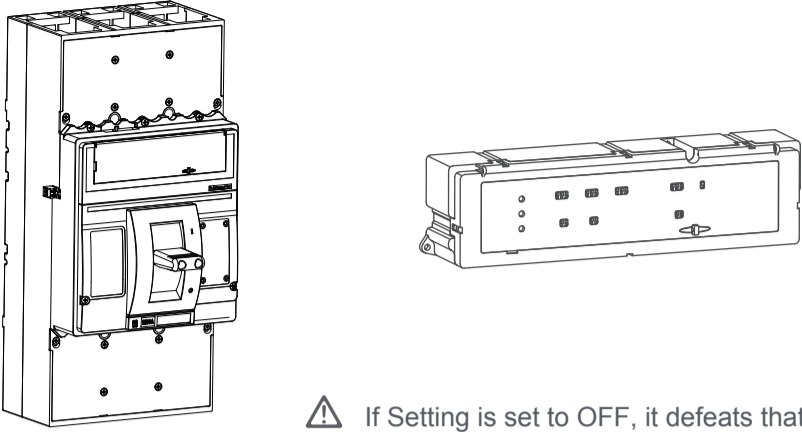


M6 Electronic Molded Case Circuit Breaker

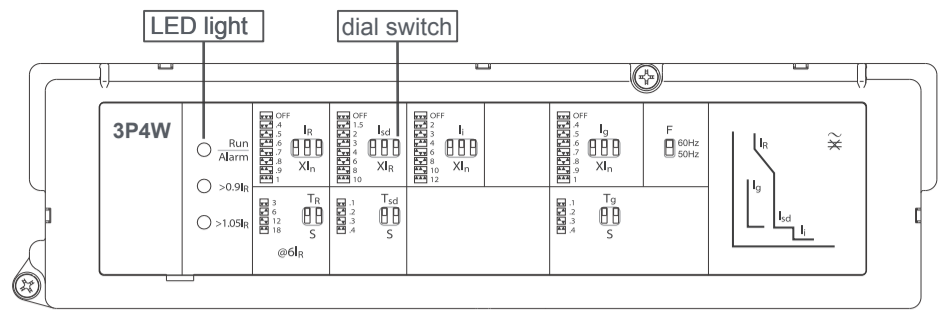


WARNING If Setting is set to OFF, it defeats that protection!

The manufacturer assumes no responsibility for unfavourable consequence resulting from the non-application or incorrect application of the instructions provided herein.



Operation panel



LED indication

- Monitor status**
In normal mode, "Working" light flashes, when there is any error in magnetic flux connection, sensor connection, control voltage or MCU unit, "Working" light will stop flashing and remain OFF.
- Alarm indication**
If actual current $I \geq 90\%I_R$, LED indicates Yellow. $I < 90\%I_R$, Yellow is OFF.
- Overload indication**
If actual current $I \geq 105\%I_R$, LED indicates Red. $I < 105\%I_R$, Red is OFF.

Long-time delay protection current setting

Long-time delay current setting dials, use proper tools for 8 specific settings including OFF + (0.4-1)In

OFF
.4
.5
.6
.7
.8
.9
1

I_R
 XI_n

e.g. : $I_n = 1200A$
 I_R [OFF 0.4 0.5 0.6 0.7 0.8 0.9 1]
 $I_R = 0.4 \times 1200A(I_n) = 480A$

Thermal memory function: protect load circuits against the affects of repeated overload conditions. When circuit breaker immediately closes after a long-time trip, and the continuous current exceeds the long-time setting value (I_R), thermal memory function will automatically reduce the trip time. Given repeated overload current, thermal memory function will make circuit breaker trip in gradually reduced time. When the load current resumes normally, thermal current function will start to reset. It will totally reset in about 1 hour. So next long-time trip time will correspond to the setting value. Thermal memory function will be cleared in OFF setting.

Short-time delay protection current setting

Short-time delay current setting dials, use proper tools for 8 specific settings including OFF + (1.5-10)I_R

OFF
1.5
2
3
4
6
8
10

I_{sd}
 XI_R

e.g. : $I_n = 1200A$, $I_R = 0.4I_n = 480A$
 I_{sd} [OFF 1.5 2 3 4 6 8 10]
 $I_{sd} = 1.5 \times 480A(I_R) = 720A$

Short-time delay protection time setting

Short-time delay time setting dials, use proper tools 4 specific settings 0.1s, 0.2s, 0.3s and 0.4s.

.1
.2
.3
.4

T_{sd}
S

Long-time delay protection time setting

Long-time delay time setting dials, use proper tools for 4 specific settings (3-18)s of overcurrent at $6X I_R$

3
6
12
18

T_R
S

@ $6I_R$

I	T_R
$\leq 1.05I_R$	$\geq 2h$ not trip
$\leq 1.3I_R$	<1h trip
$6I_R$	3s
	6s
	12s
	18s

Ground fault protection current setting

Ground fault current setting dials, use proper tools for 8 specific settings including OFF + (0.4-1)In

OFF
.4
.5
.6
.7
.8
.9
1

I_g
 XI_n

e.g. : $I_n = 1200A$
 I_g [OFF 0.4 0.5 0.6 0.7 0.8 0.9 1]
 $I_g = 0.4 \times 1200A(I_n) = 480A$

Instantaneous protection current setting

Instantaneous current setting dials, use proper tools for 8 specific settings including OFF + (2-12)In

OFF
2
3
4
6
8
10
12

I_i
 XI_n

e.g. : $I_n = 1200A$
 I_i [OFF 2 3 4 6 8 10 12]
 $I_i = 3 \times 1200A(I_n) = 3600A$

Ground fault protection time setting

Ground fault current setting dials, use proper tools for 4 specific settings 0.1s, 0.2s, 0.3s and 0.4s.

.1
.2
.3
.4

T_g
S

Frequency selection setting

Frequency setting dials, use proper tools for setting 50Hz and 60Hz according to the actual grid frequency.

60Hz
50Hz

F

