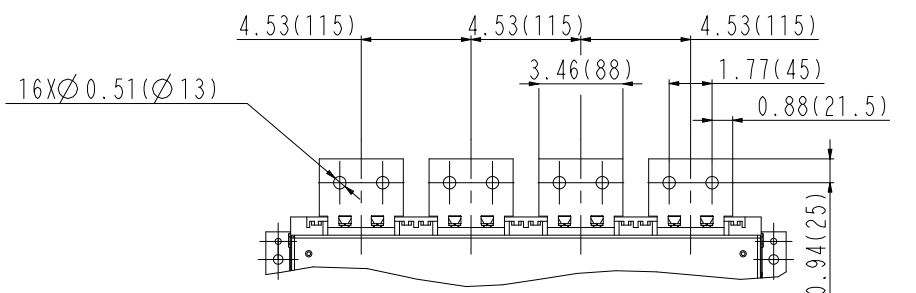
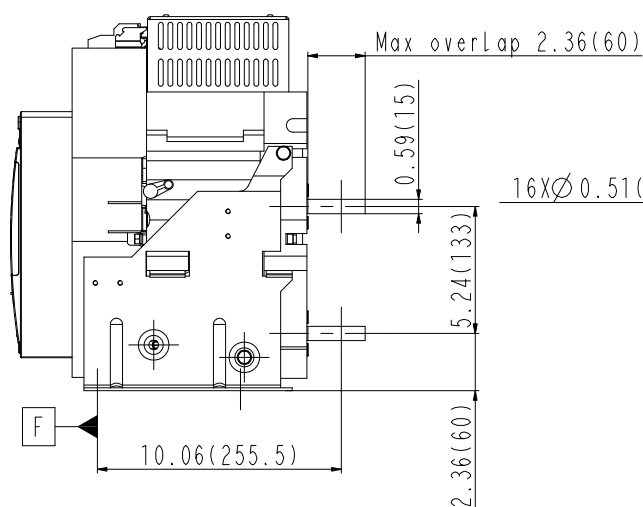
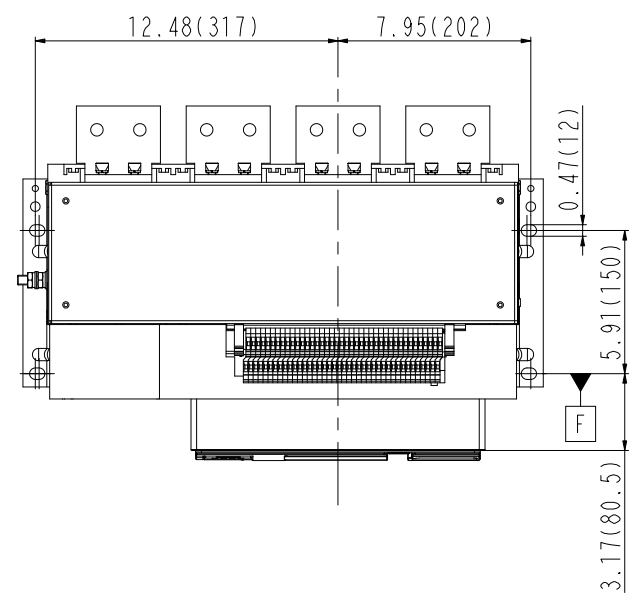
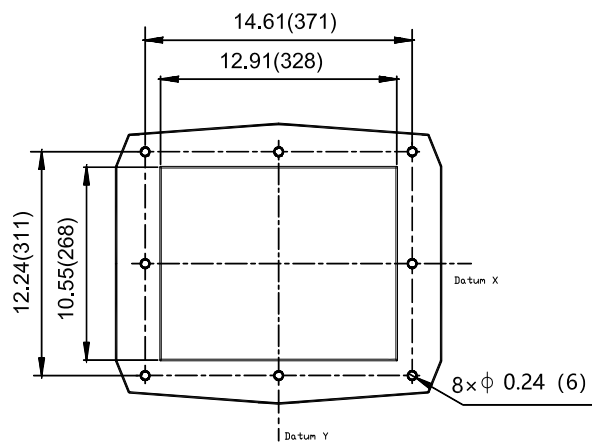
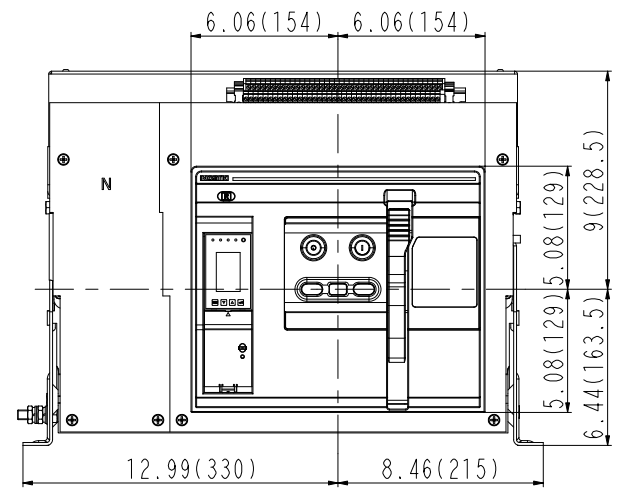
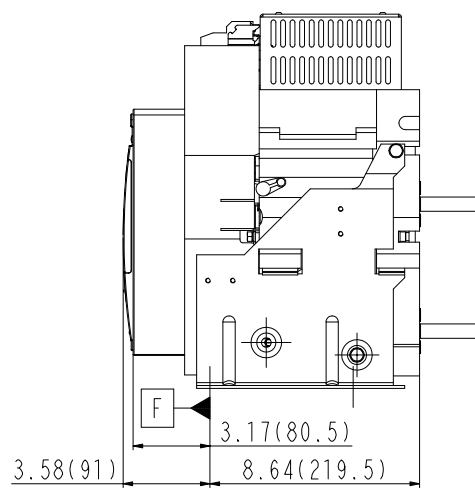
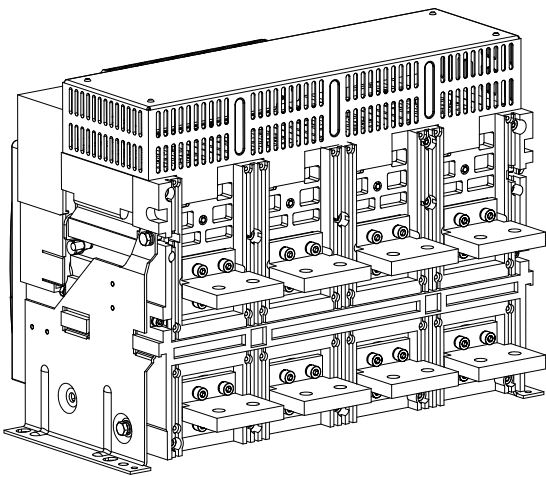


Fixed type

800A/1600A-4P

Horizontal installation

in/mm



16XØ 0.51(Ø 13)