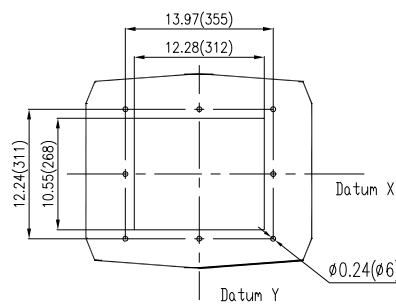
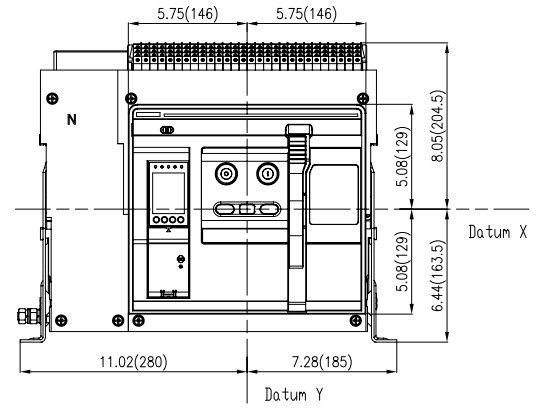
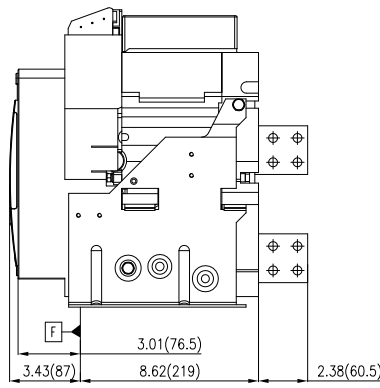
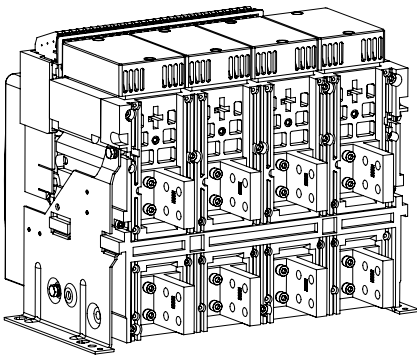


Fixed type

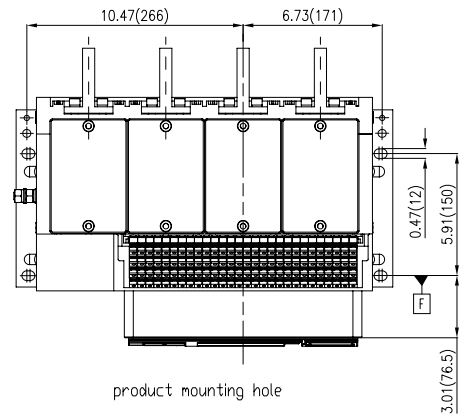
A25-600/800A/1200A-4P

Vertical connection

in(mm)



panel perforating size



product mounting hole

