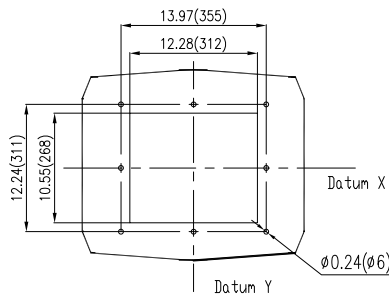
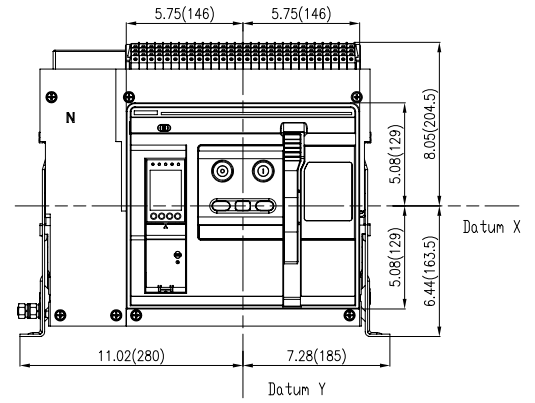
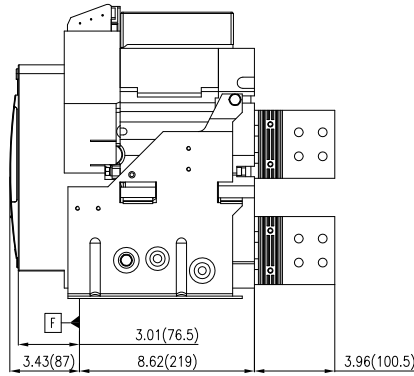
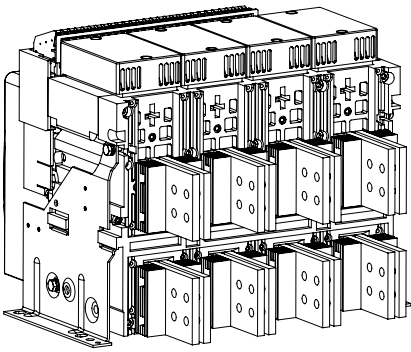


Fixed type

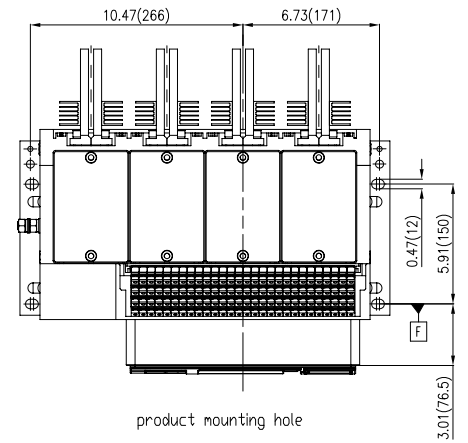
A25-1600A/2000A-3P

Vertical connection

in(mm)



panel perforating size



product mounting hole

