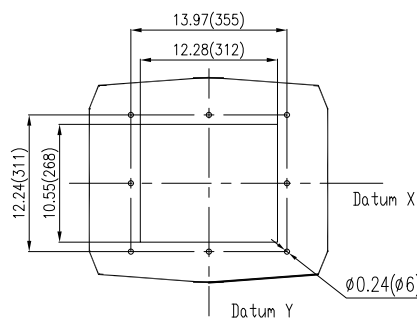
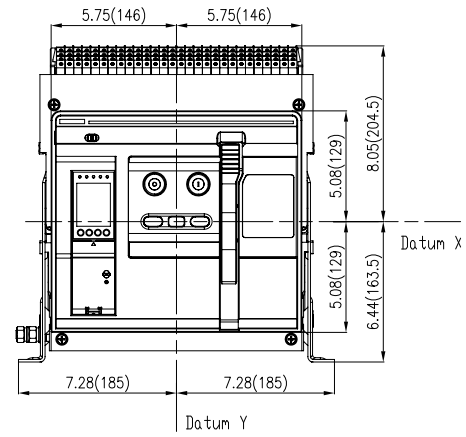
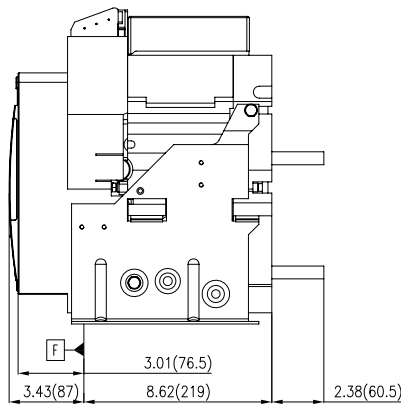
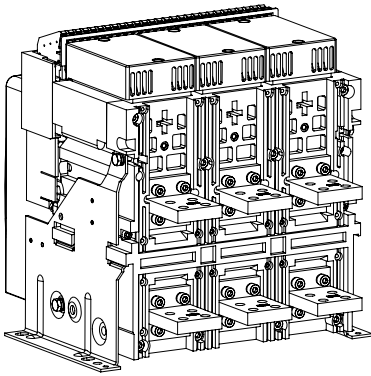


# Fixed type

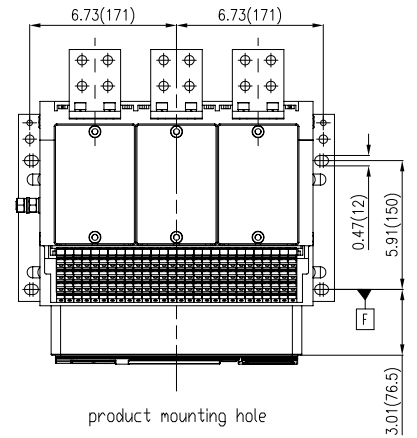
A25-600/800A/1200A-3P

Horizontal connection

in(mm)



panel perforating size



product mounting hole

