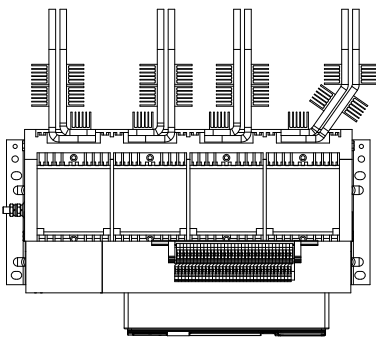
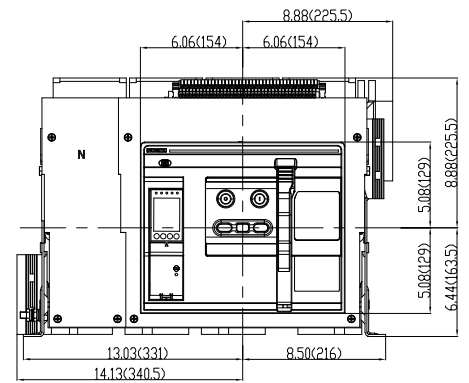
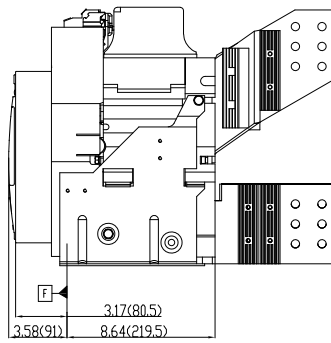
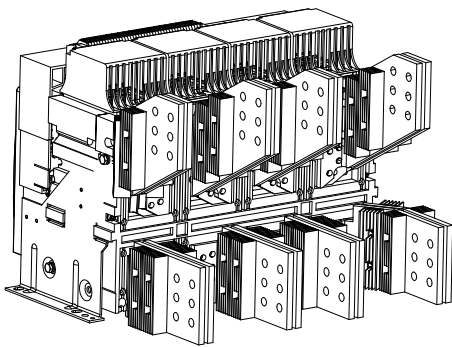


Fixed type

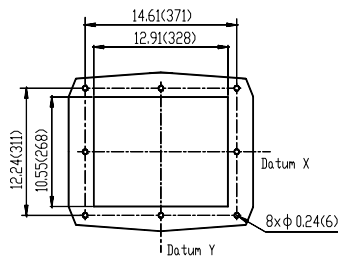
A40-4000A 4P

Vertical installation

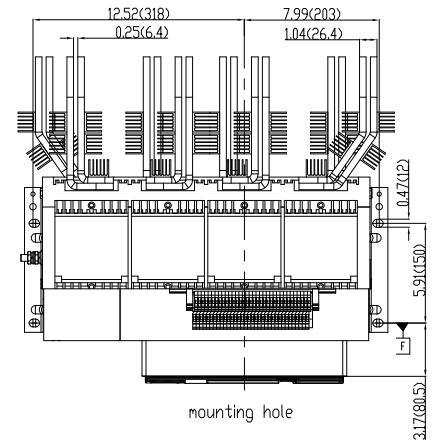
in/mm



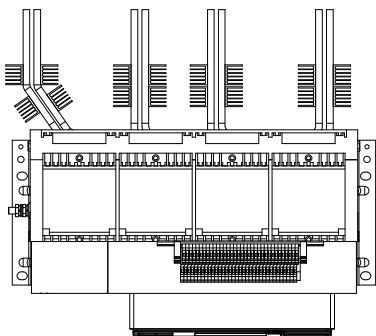
upper busbar



panel perforating size



mounting hole



lower busbar

