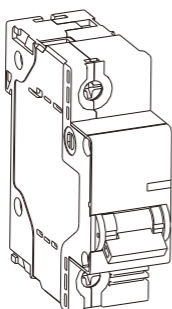


Miniature Circuit Breaker

1



- Installation Instructions
- Notice d'installation
- Instrucciones de montaje

**NOARK**



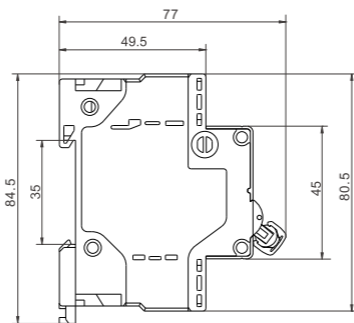
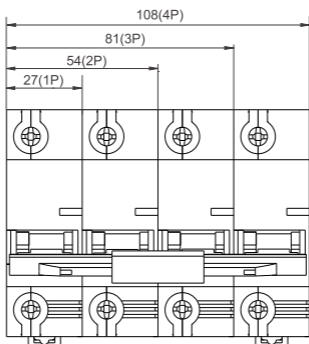
**WARNING**

2

**DO NOT ATTEMPT TO INSTALL OR PERFORM MAINTENANCE ON EQUIPMENT WHILE IT IS ENERGIZED. DEATH, SEVERE PERSONAL INJURY, OR SUBSTANTIAL PROPERTY DAMAGE CAN RESULT FROM CONTACT WITH ENERGIZED EQUIPMENT. ALWAYS VERIFY THAT NO VOLTAGE IS PRESENT BEFORE PROCEEDING WITH THE TASK, AND ALWAYS FOLLOW GENERALLY ACCEPTED SAFETY PROCEDURES.**

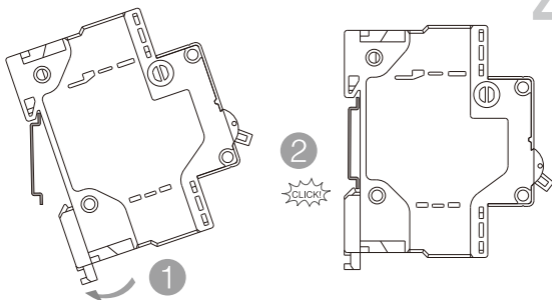
**NOARK IS NOT LIABLE FOR THE MISAPPLICATION OR MISSINSTALLATION OF IT'S PRODUCTS.**

3



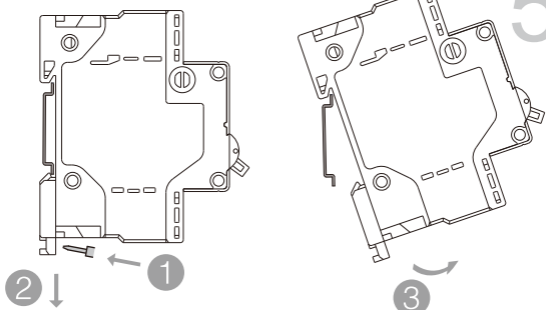
1P/2P/3P/4P

4







B1E

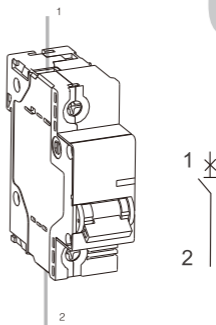
5



B1E

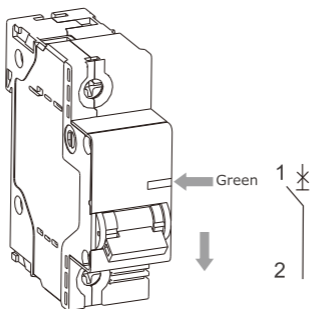
6

	 Z2
 Wire 1 and 2	6-0 AWG (16-50 mm <sup>2</sup> )
	32lbs. in(3.5Nm)



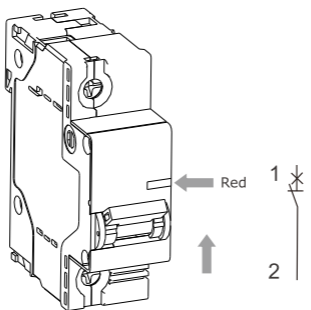
B1E

7



B1E

8



**NOARK**



Printed with environment-friendly paper

Copyright Noark. All Rights Reserved

[www.noark-electric.com](http://www.noark-electric.com)

07/2014