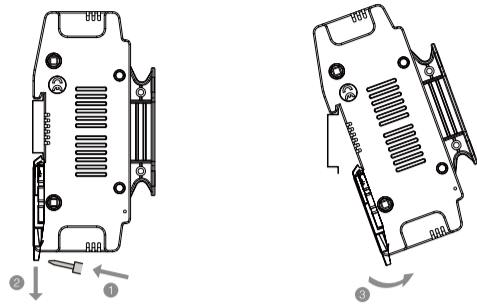


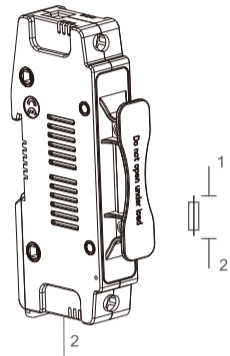
9FP30H



5

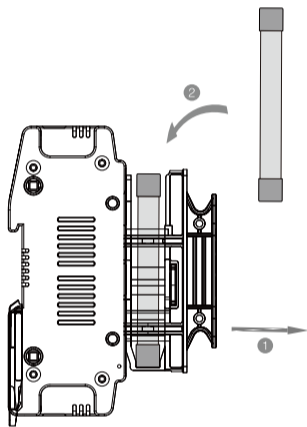
9FP30H

	#18AWG- #4AWG (0.75mm ² - 25 mm ²)
	26.5lb-in(3N·m)



6

9FP30H



7

9FP30H

NOARK



In order to protect the environment, when the product or its components are scrapped, please dispose of it as industrial waste or hand it over to the recycling station for disaggregation, recycling and reuse according to relevant national regulations.

Printed with environment-friendly paper

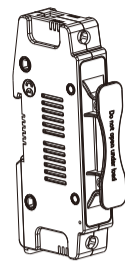
Copyright Noark. All Rights Reserved

na.noark-electric.com

12/2019

9FP30H

fuse disconnect



1

Installation Instructions

Notice d'installation

Instrucciones de montaje

NOARK

9FP30H



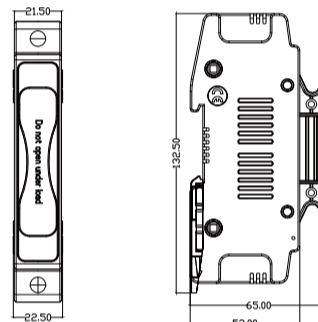
WARNING

2

DO NOT ATTEMPT TO INSTALL OR PERFORM MAINTENANCE ON EQUIPMENT WHILE IT IS ENERGIZED. DEATH, SEVERE PERSONAL INJURY, OR SUBSTANTIAL PROPERTY DAMAGE CAN RESULT FROM CONTACT WITH ENERGIZED EQUIPMENT. ALWAYS VERIFY THAT NO VOLTAGE IS PRESENT BEFORE PROCEEDING WITH THE TASK, AND ALWAYS FOLLOW GENERALLY ACCEPTED SAFETY PROCEDURES.

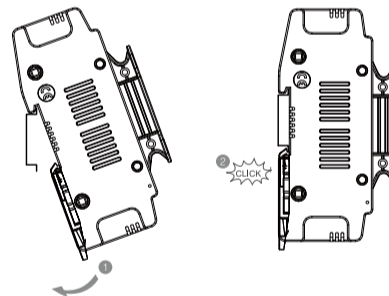
NOARK IS NOT LIABLE FOR THE MISAPPLICATION OR MISINSTALLATION OF ITS PRODUCTS

9FP30H



3

9FP30H



4

248 mm

92 mm