



Ref. Certif. No.

CN47985

IEC SYSTEM FOR MUTUAL RECOGNITION OF TEST CERTIFICATES FOR ELECTRICAL EQUIPMENT (IECEE) CB SCHEME

CB TEST CERTIFICATE

Product

Switch Disconnecter

Name and address of the applicant

Zhejiang CHINT Electrics Co., Ltd.
No.1, CHINT Road, CHINT Industrial Zone, North Baixiang Town, Yueqing City, Zhejiang Province, P.R.China

Name and address of the manufacturer

Zhejiang CHINT Electrics Co., Ltd.
No.1, CHINT Road, CHINT Industrial Zone, North Baixiang Town, Yueqing City, Zhejiang Province, P.R.China

Name and address of the factory

NOARK Electrics (Shanghai) Co., Ltd.
No.3857 Sixian Road, Songjiang District, Shanghai, P.R.China

Note: When more than one factory, please report on page 2

Ratings and principal characteristics

See the Appendix

Trademark (if any)

CHINT

Customer's Testing Facility (CTF) Stage used

Model / Type Ref.

NM8NSD-400

Additional information (if necessary may also be reported on page 2)

A sample of the product was tested and found to be in conformity with

IEC 60947-1:2007 (5th Edition) + AMD1:2010 + AMD2:2014; IEC 60947-3:2008(3rd Edition) + AMD 1:2012 + AMD 2:2015

As shown in the Test Report Ref. No. which forms part of this Certificate

00901-CB2019CQC-086611

This CB Test Certificate is issued by the National Certification Body

CHINA QUALITY CERTIFICATION CENTRE

Section 9, No. 188 Nansihuan Xilu, Beijing 100070 P. R. China
Tel: +86-10-83886666 Fax: +86-10-83886282
website: <http://www.cqc.com.cn>



Date: Aug.29,2019

Signature:

Lu Mei

CB 0053276

NM8NSD-400

Uimp: 12kV;

Ui: 1000V;

Ith: 250A,400A;

Ue: AC690V(3P,4P), DC750V(3P in series),DC1000V(4P in series);

Ie: 250A,400A;

Icw: 5kA/1s, 5kA/3s;

Icm(AC): 8kA;

Icm(DC): 5kA;

AC22A,AC-23A, DC-22A,DC-23A, DC-PV2;

3P,4P;

IP20;

50/60Hz;

Auxiliary contact and alarm contact AX21-M8 and AL21-M8(CN46412-M1)

1NO1NC

Ith: 5A;

AC-15: Ue/Ie: AC110V/5A, AC240V/4A, AC415V/2A;

DC-13: Ue/Ie: DC110V/0.25A, DC220V/0.25A;

Page 1 of 2

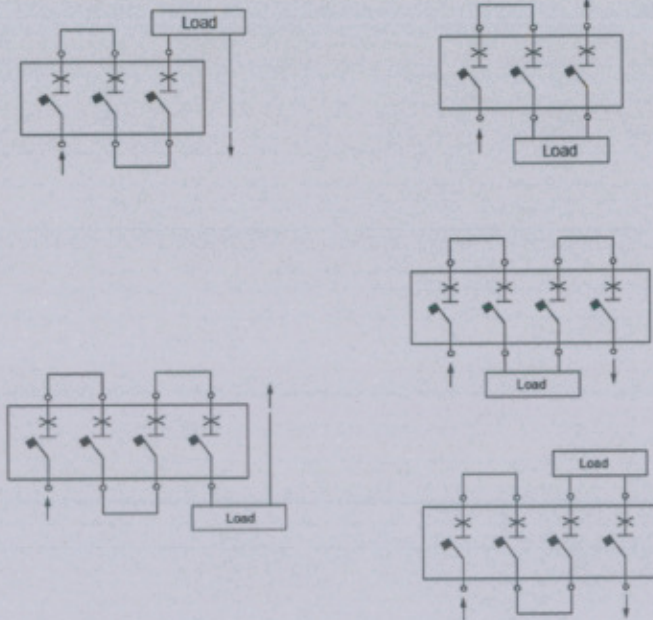
Additional information (if necessary)

Date: Aug.29,2019

Signature: 

Lu Mei

Connection diagram for DC product:



All wiring diagram are applicable to up-side wiring and/or under-side wiring, under-side wiring as a example

Page 2 of 2

Additional information (if necessary)

Date: Aug.29,2019

Signature: _____

Lu Mei