

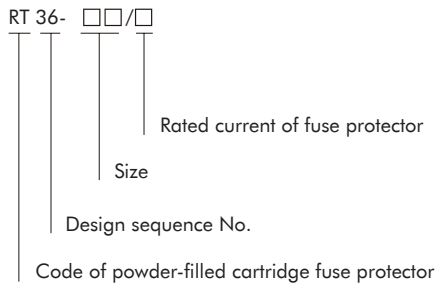


RT36 Knife Contact Fuse Protector

1.General

RT36 Knife contact fuse protector is a new fuse protector designed by our company and featured by small size, light weight, low consumption and high breaking capacity, etc.; and widely used for overload protection and short-circuit protection of electric device. The series products are divided into "gG" type; "gG" is ordinary fuse protector with full range of breaking capacity. This product conforms to GB/T 13539.2 and IEC 60269-2 standards; its technical indicators have reached international advanced level.

2.Type designation



3. Normal operating conditions and installation conditions

- 3.1 Ambient temperature: The ambient temperature does not exceed 40°C , of which average value measured over 24h does not exceed 35°C , and average value measured over one year is lower than this value; the lowest value of the ambient air temperature is -5°C .
- 3.2 Atmospheric conditions: The air is clean, with relative humidity not exceeding 50% when the maximum temperature is 40°C. Higher relative humidity is possible when the temperature is lower. For example, at 20°C, the relative humidity can attain 90%. Measures are taken against condensation on the product body due to temperature variation.
- 3.3 Class of pollution: Class III
- 3.4 Installation category: Class III
- 3.5 Installation conditions: The fuse should be installed in places free of significant shaking and shock vibration.
- 3.6 Altitude: See the table below for correction coefficients of operating current at different altitudes:
- 3.7 If the operating conditions of fuse are different from those in the above table, please consult with the manufacturer.

Altitude	≤2000m	2000m~3000m	≤3000m	Example
Current correction factor	1	0.9	0.8	Product with rated current of 10A at altitude of 2500m The rated current after derating is 0.9X10=9A

3. Technical data

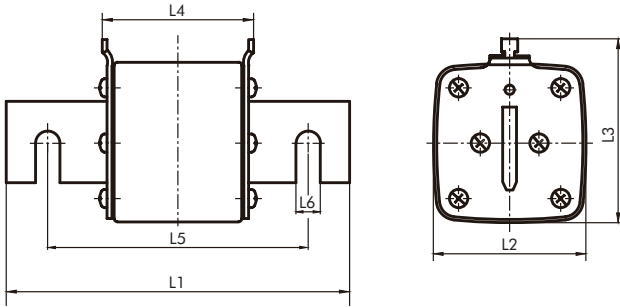
Table(continued)

Specifications	Similar models at home and abroad	Rated current(A)	Rated voltage(V)	Rated power(W)	Breaking capacity(kA)
RT36-00	RT16-00(NT00)	4	AC500/AC690/DC250	1.5	120/50/100
		6	AC500/AC690/DC250	1.6	120/50/100
		10	AC500/AC690/DC250	1.7	120/50/100
		16	AC500/AC690/DC250	2.0	120/50/100
		20	AC500/AC690/DC250	2.5	120/50/100
		25	AC500/AC690/DC250	3.1	120/50/100
		32	AC500/AC690/DC250	3.5	120/50/100
		35	AC500/AC690/DC250	3.8	120/50/100
		40	AC500/AC690/DC250	4.0	120/50/100
		50	AC500/AC690/DC250	5.3	120/50/100
		63	AC500/AC690/DC250	6.1	120/50/100
		80	AC500/AC690/DC250	6.9	120/50/100
		100	AC500/AC690/DC250	10.0	120/50/100
		125	AC500/AC690/DC250	9.6	120/50/100
160	AC500/AC690/DC250	12.0	120/50/100		
RT36-0	RT16-0(NT0)	4	AC500/AC690	1.7	120/50
		6	AC500/AC690	2.0	120/50
		10	AC500/AC690	1.8	120/50
		16	AC500/AC690	2.5	120/50
		20	AC500/AC690	3.0	120/50
		25	AC500/AC690	3.5	120/50
		32	AC500/AC690	4.05	120/50
		35	AC500/AC690	4.0	120/50
		40	AC500/AC690	5.1	120/50
		50	AC500/AC690	7.25	120/50
		63	AC500/AC690	8.1	120/50
		80	AC500/AC690	10.26	120/50
		100	AC500/AC690	12.58	120/50
		125	AC500/AC690	15.62	120/50
160	AC500/AC690	16.0	120/50		
RT36-1	RT16-1(NT1)	80	AC500/AC690/DC440	8.35	120/50/100
		100	AC500/AC690/DC440	12.05	120/50/100
		125	AC500/AC690/DC440	13.46	120/50/100
		160	AC500/AC690/DC440	16.53	120/50/100
		200	AC500/AC690/DC440	20.8	120/50/100
		224	AC500/AC690/DC440	22.69	120/50/100
		250	AC500/AC690/DC440	23.0	120/50/100
RT36-2	RT16-2(NT2)	125	AC500/AC690/DC440	21.7	120/50/100
		160	AC500/AC690/DC440	22.7	120/50/100
		200	AC500/AC690/DC440	26.8	120/50/100
		224	AC500/AC690/DC440	28.9	120/50/100
		250	AC500/AC690/DC440	28.9	120/50/100
		300	AC500/AC690/DC440	32.0	120/50/100
		315	AC500/AC690/DC440	32.45	120/50/100
		355	AC500/AC690/DC440	33.66	120/50/100
400	AC500/AC690/DC440	34.0	120/50/100		
RT36-3	RT16-3(NT3)	315	AC500/AC690/DC440	34.45	120/50/100
		355	AC500/AC690/DC440	35.96	120/50/100
		400	AC500/AC690/DC440	38.09	120/50/100
		425	AC500/AC690/DC440	40.20	120/50/100
		500	AC500/AC690/DC440	45.23	120/50/100
		630	AC500/AC690/DC440	48.0	120/50/100
RT36-4	RT16-4(NT4)	800	AC500	75.08	120
		1000	AC500	90.0	120
		1250	AC500	110	120

5. Overall and mounting dimensions

5.1 Fuse link size

RT36

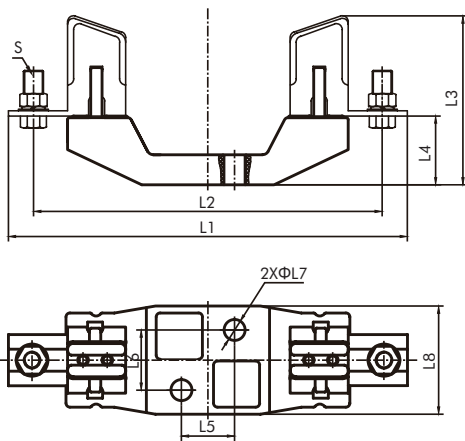


RT36

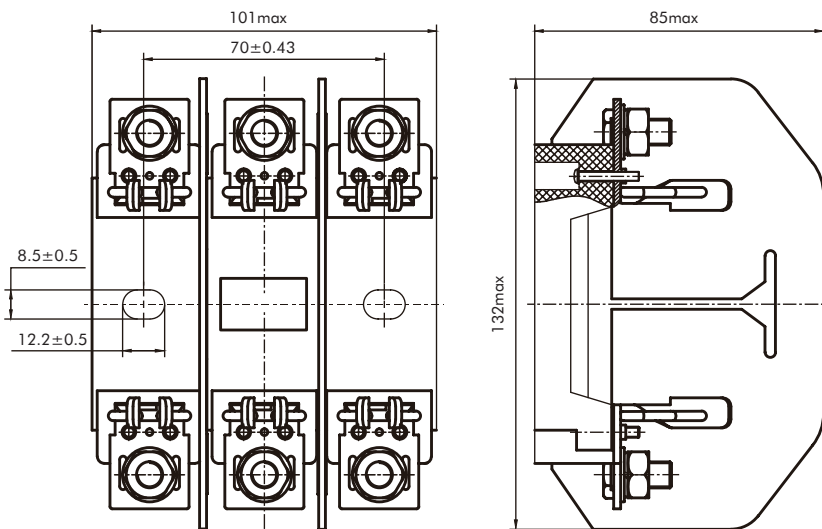
Size	RT36-00	RT36-0	RT36-1	RT36-2	RT36-3	RT36-4
L1	78.5±1.5	125±2.5	135±2.5	150±2.5	150±2.5	200±3.0
L2	30max	31max	50max	60max	69max	89max
L3	58max	58max	64max	74max	87max	114max
L4	49±1.5	68 ^{+1.5} _{-3.0}	68±2.5	68±2.5	68±2.5	90±3.0
L5	—	—	—	—	—	150±2.0
L6	—	—	—	—	—	15±0.5

Size	RT36-00	RT36-0	RT36-1	RT36-2	RT36-3	RT36-4
L1	120max	174max	201max	227max	255max	301max
L2	100±1.5	152±1.5	175±1.5	200±1.5	210±1.5	258±1.5
L3	62max	75max	86max	97max	105max	146max
L4	24±1.5	35±1.5	35±1.5	35±1.5	35±1.5	40±1.5
L5	25±0.7	25±0.7	25±0.7	25±0.7	25±0.7	30±0.7
L6	—	—	30±0.7	30±0.7	30±0.7	45±0.7
L7	8.3±0.3	7.5±0.5	10.5±0.5	10.5±0.5	10.5±0.5	14±0.5
L8	31max	31max	55max	62max	62max	76max
S	M8	M8	M10	M10	M12	M16

5.2 Fuse base size



RT36-00-3P



6. Ordering information

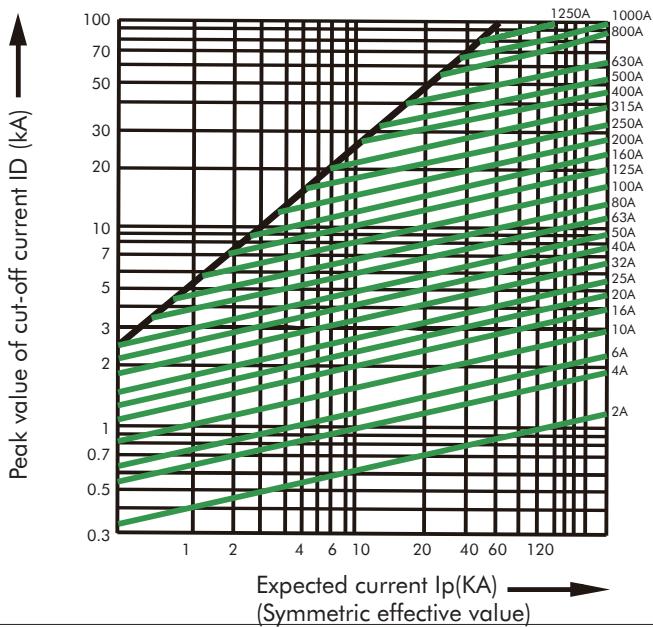
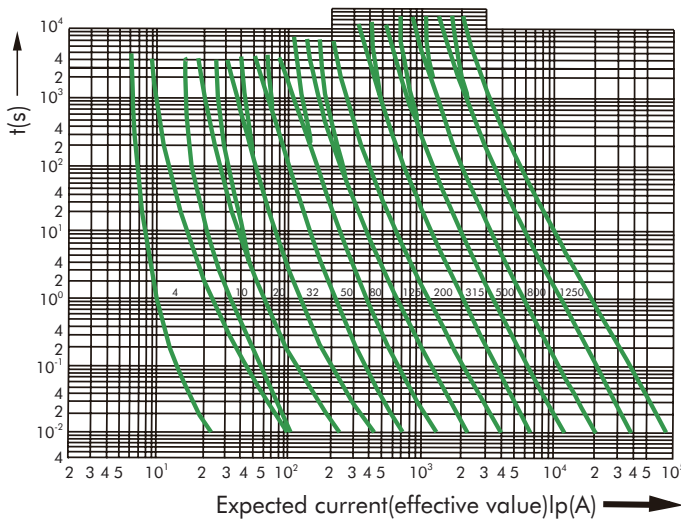
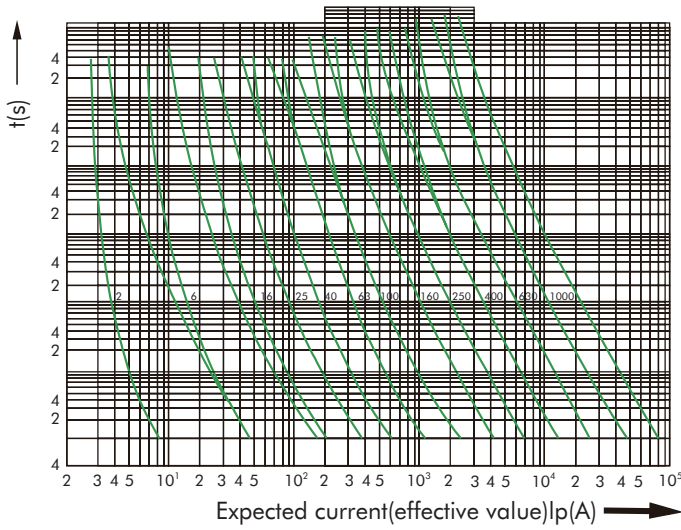
6.1 It needs to notify the following when ordering

6.1.1 Fuse link shall be marked with product model, rated current and quantity



6.1.2 Pedestal shall be marked with type, specification, pedestal mark and quantity.

For example: RT36-00/100A, 100 fuse links represent 100 fuse links with product model of RT36-00 and rated current of 100
 RT36-00 100 pedestals represent 100 pedestals with product model of RT36-00.

RT36 Knife Contact Fuse Protector Protection Characteristic Curve





	Frame	In	Description	Code	Price	QTY
	160AF	4A	RT36-00 4A gG	521504		
	160AF	6A	RT36-00 6A gG	521505		
	160AF	10A	RT36-00 10A gG	521506		
	160AF	16A	RT36-00 16A gG	521507		
	160AF	25A	RT36-00 25A gG	521508		
	160AF	32A	RT36-00 32A gG	521509		
	160AF	35A	RT36-00 35A gG	521510		
	160AF	40A	RT36-00 40A gG	521511		
	160AF	50A	RT36-00 50A gG	521512		
	160AF	60A	RT36-00 60A gG	521513		
	160AF	63A	RT36-00 63A gG	521514		
	160AF	80A	RT36-00 80A gG	521515		
	160AF	100A	RT36-00 100A gG	521516		
	160AF	125A	RT36-00 125A gG	521517		
	160AF	160A	RT36-00 160A gG	521518		
	250AF	80A	RT36-1 80A gG	521519		
	250AF	100A	RT36-1 100A gG	521520		
	250AF	125A	RT36-1 125A gG	521521		
	250AF	160A	RT36-1 160A gG	521522		
	250AF	200A	RT36-1 200A gG	521523		
	250AF	224A	RT36-1 224A gG	521524		
	250AF	250A	RT36-1 250A gG	521525		
	400AF	125A	RT36-2 125A gG	521526		
	400AF	160A	RT36-2 160A gG	521527		
	400AF	200A	RT36-2 200A gG	521528		
	400AF	224A	RT36-2 224A gG	521529		
	400AF	250A	RT36-2 250A gG	521530		
	400AF	300A	RT36-2 300A gG	521531		
	400AF	315A	RT36-2 315A gG	521532		
	400AF	355A	RT36-2 355A gG	521533		
	400AF	400A	RT36-2 400A gG	521534		
	630AF	315A	RT36-3 315A gG	521535		
	631AF	355A	RT36-3 355A gG	521536		
	632AF	400A	RT36-3 400A gG	521537		
	633AF	425A	RT36-3 425A gG	521538		
	634AF	500A	RT36-3 500A gG	521539		
	635AF	630A	RT36-3 630A gG	521540		
	1250AF	800A	RT36-4 800A gG	521541		
	1251AF	1000A	RT36-4 1000A gG	521542		
	1252AF	1250A	RT36-4 1250A gG	521543		
	160	/	RT36-00 BASE	521544		
	250	/	RT36-1 250A BASE	521545		
	400	/	RT36-2 400A BASE	521546		
	630	/	RT36-3 630A BASE	521547		
	1250	/	RT36-4 1250A BASE	521548		