

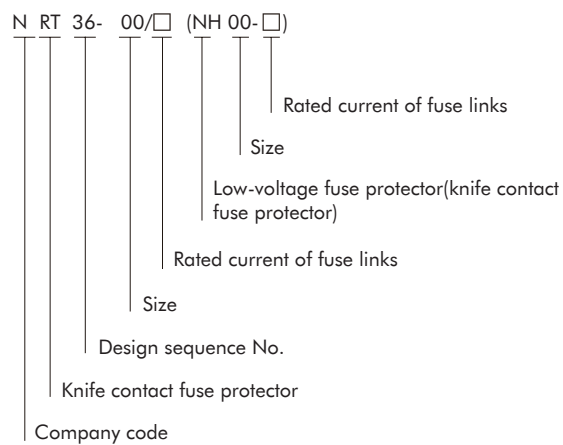


NRT36 Knife Contact Fuse Protector

1.General

NRT36-00 (NH00) Knife contact fuse protector (hereinafter referred to as "fuse protector") is a new and practical patent fuse protector designed by our company, suitable for overload or short-circuit protection in electric circuit with AC 45Hz to 62Hz, rated voltage not more than 690V and rated current not more than 160A. Such fuse protector is the latest high-tech products, designed by Chint Group for communication industry and it is outstanding among the previous similar products with three innovations: The first is double indications. The product body is equipped with indicator, which highlights its indication advantages in dark night or within the case when fused mass melted and indicator illuminated; The second is quick and convenient installation. This product is designed to provide users with a quick installation method and its guide rail installation can be done with screws for fixation; The third is its free splicing, which is easy for mounting clapboard. Users can freely splice number of poles as required to conveniently mount clapboard. The series products comply with GB/T 13539.2 and IEC 60269-2 standards and have obtained 3C certification and CB test report.

2.Type designation



3. Normal operating conditions and installation conditions

3.1 Ambient temperature: The ambient temperature does not exceed 40°C, of which average value measured over 24h does not exceed 35°C, and average value measured over one year is lower than this value; the lowest value of the ambient air temperature is -5°C.

3.2 Atmospheric conditions: The air is clean, with relative humidity not exceeding 50% when the maximum temperature is 40°C. Higher relative humidity is possible when the temperature is lower. For example, at 20°C, the relative humidity can attain 90%. Measures are taken against condensation on the product body due to temperature variation.

3.3 Class of pollution: Class III

3.4 Installation category: Class III

3.5 Installation conditions: The fuse should be installed in places free of significant shaking and shock vibration.

3.6 Altitude: See the table below for correction coefficients of operating current at different altitudes:

Altitude	≤2000m	2000m~3000m	≤3000m	Example
Current correction factor	1	0.9	0.8	Product with rated current of 10A at altitude of 2500m The rated current after derating is 0.9X10=9A

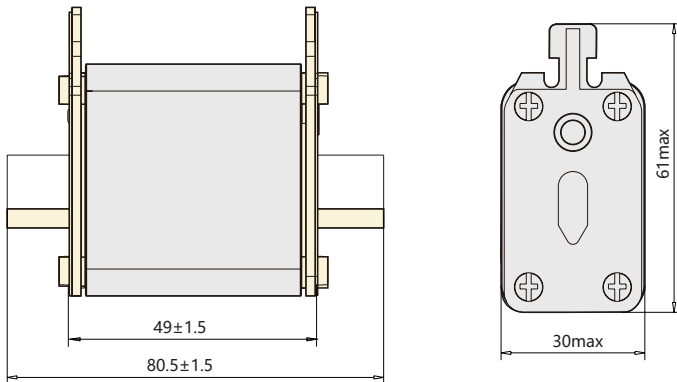
3.7 If the operating conditions of fuse are different from those in the above table, please consult with the manufacturer.

4. Technical data

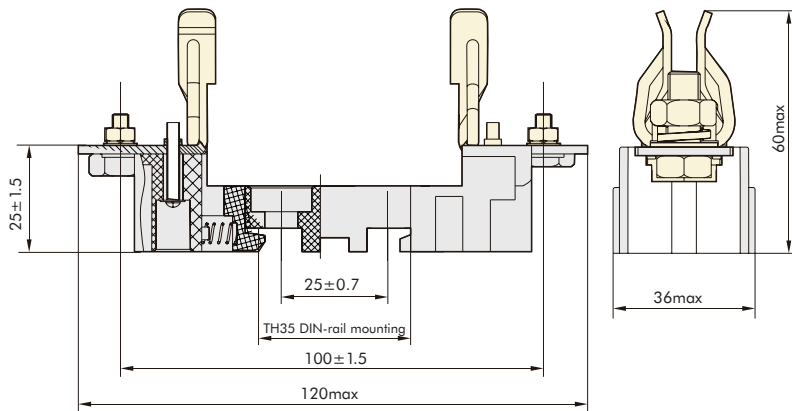
Type specification	Rated voltage(V)	Breaking capacity(kA)	Rated current(A)	Rated current of fuse protector(A)
NRT36-00(NH00)	AC500 AC660,AC690	120 50	2,4,6,10,16,20,25,32,35, 40,50,63,80,100,125,160	160

5. Overall and mounting dimensions

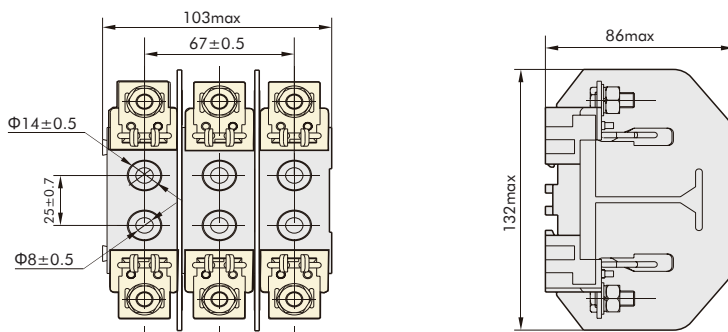
NRT36-00 Fuse link size



NRT36-00 Pedestal size



NRT36-00-3P pedestal size



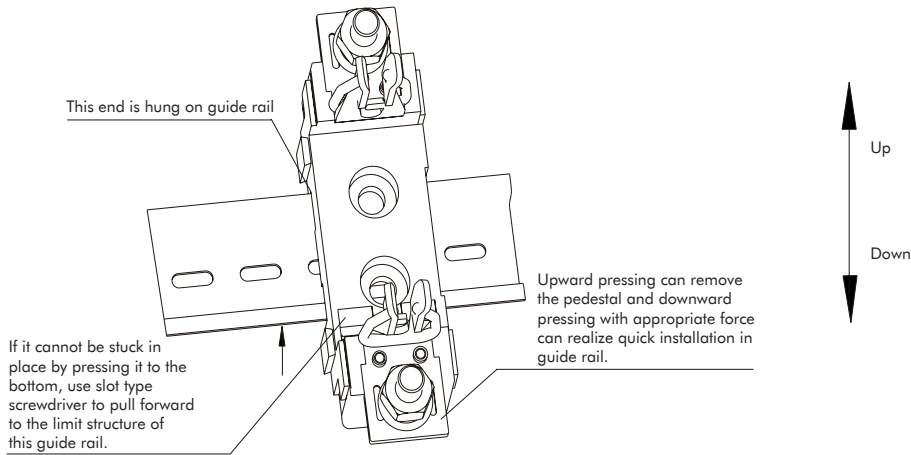
6. Interchangeability of fuse links and pedestal

The fuse link and pedestal of NRT36-00 and RT36-00 can be used interchangeably; namely, the fuse link of NRT36-00 can match the pedestal of NRT36-00 and RT36-00 at the same time. The difference is that NRT36-00 pedestal can be spliced and installed in guide rail style or with screws, while guide rail installation and splicing are not available for RT36-00 pedestal; only installation with screws is allowed. NRT36-00 fuse protector is equipped with indicator structures. The illuminating indicator shows that fuse links has melted. NRT36-00 fuse protector has no such structure.

7. Installation, use and maintenance

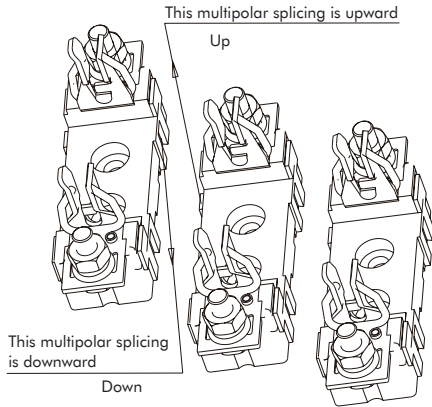
7.1 Before installation, check if the fuse link can be flexibly plugged.

7.2 NRT36-00 pedestal can be either installed with screws or with TH35 standard guide rail to realize rapid installation. Schematic Diagram of Guide Rail Installation is given here.

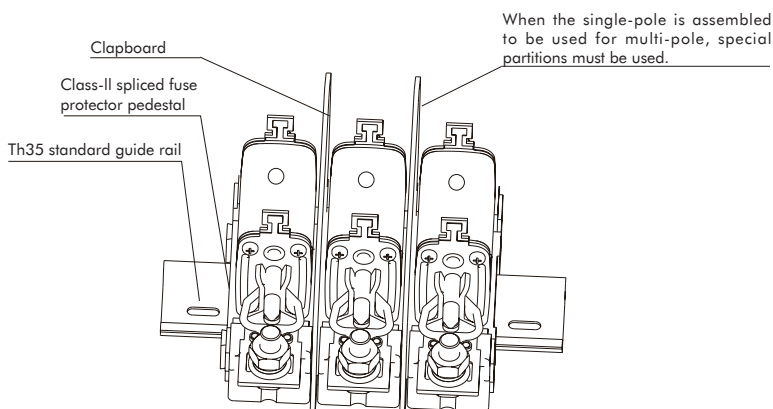


7.3 NRT36-00 pedestal is a new fuse protector pedestal, which can be spliced. When it is used in a multipolar structure, it must be equipped with supporting clapboard; otherwise, it cannot be used in a multipolar structure (commonly used, such as: three poles). Schematic diagram of splicing and assembly diagram in the case of three poles are as follows.

7.3.1 Schematic Diagram of 3P Pedestal Splicing



7.3.2 Schematic Diagram of 3P Assembly Splicing



Characteristic curve of (N)RT36 series knife contact fuse protector

