



NHRT41 Fuse-Switch Disconnecter

1. Application:

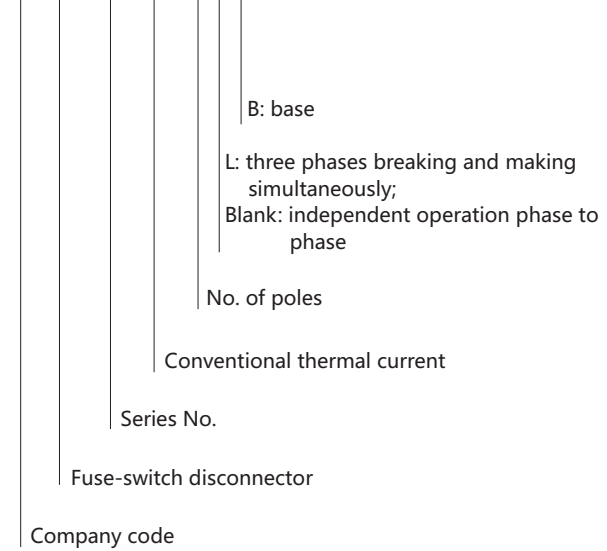
NHRT41 fuse switch disconnecter is applied in the circuit of rated current frequency of 50Hz, rated current from 160A to 630A and rated voltage of AC 500V and below. The phase distance is 185mm.

NHRT41 Series fuse-switch disconnecters are widely applied in substation, feeder pillar and other panels ; They are infrequently manually operated multipolar fuse combination switches.

Break or switch off on load and provide safely isolation and protection against overcurrent .

2. Type designation

N HRT 41 - □ / □ □ □



Remark: the fuse is not standard accessory and should purchase separately

3. Type designation

Operation condition and installation:

Temperature between +40°C and -5°C

Altitude of the installation should be less than 2000m

Temperature(Humidity): When the max temperature reaches +40°C , the relative humidity of the air should not exceed 50%;

At lower temperature, the relative humidity is allowed to be higher, for examples it can reach 90% at the temperature of +20°C.

The pollution level of ambient atmospheric environment is class 3.

Switch should be installed on the location without incursion of rain or snow, explosion hazard medium and as well as prominent shake, attack and vibration.

4. Primary Parameter

Main Parameters and technical performance

Type	NHRT41-160/3	NHRT41-250/3	NHRT41-400/3	NHRT41-630/3
Ue	AC500V	AC500V	AC500V	AC500V
Ie	160A	250A	400A	630A
Hz	50	50	50	50
Ui	AC800V	AC800V	AC800V	AC800V
Uimp	6kV	8kV	8kV	8kV
Utilization Category	AC-22B	AC-22B	AC-22B	AC-22B
Specification of associated fuse	model 00	model 1	model 2	model 3

5. Design features:

NHRT41 is three phases fuse-switch disconnecter which applied in the main busbar. Three single phase fuse in linked vertically which incoming is linked with busbar and outgoing linked with cable.

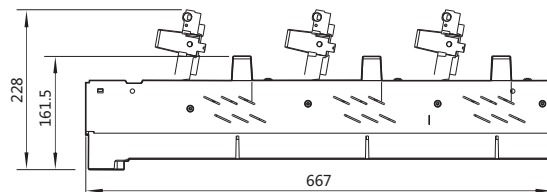
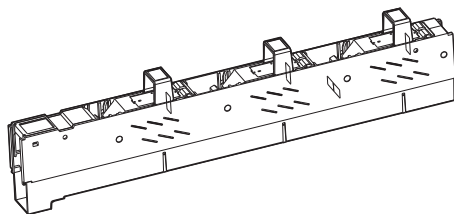
NHRT41 fuse-switch disconnecter adopts the strong unsaturated polyester fiberglass reinforced plastic for metal carrier. Silver coated contactor is linked with inner busbar to ensure low loss, high current carrying capacity and low temperature rise.

NHRT41 fuse-switch disconnecter installation has two kinds which is bolting fixing and hook fixing type. The busbar needs non punching and flexible and stable application for hook fixing type.

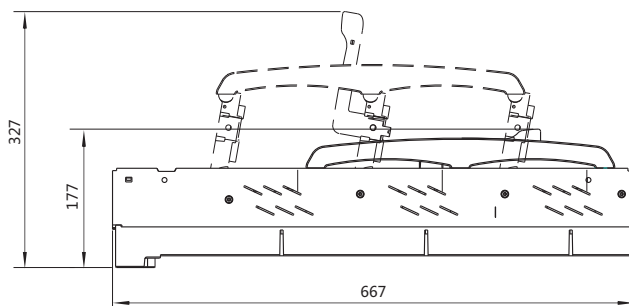
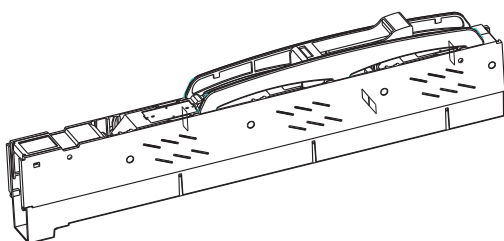
- Suitable operation window, with high availability for the fuse monitoring
- Voltage inspection through knife hole
- Non-locking fuse design which is easy for the fuse replacement and installation
- The safety device in the busbar to prevent the users from touching conductors

6. Overall and mounting dimensions

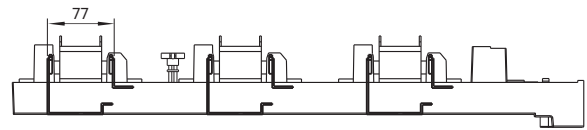
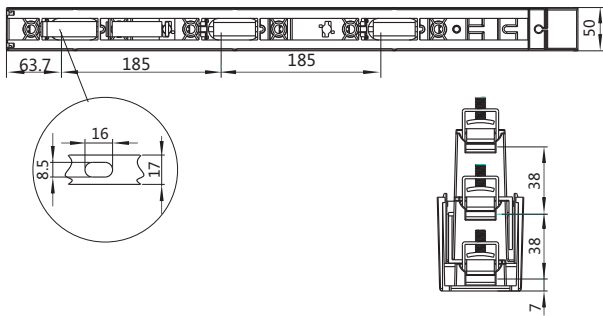
NHRT41-160/3



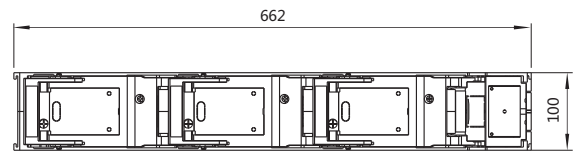
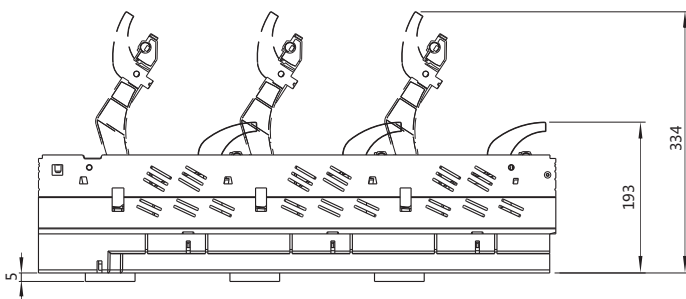
NHRT41-160/3L



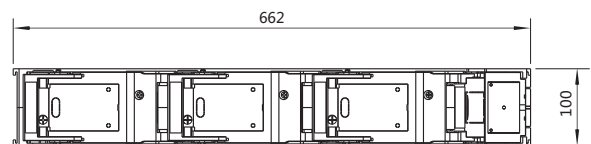
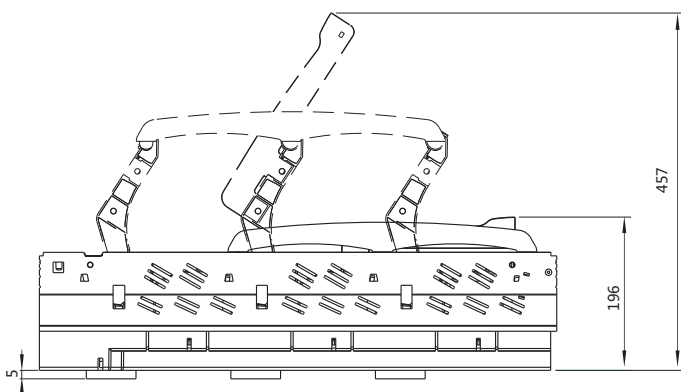
NHRT41-160/3, NHRT41-160/3L Base



NHRT41-250 ~ 630/3

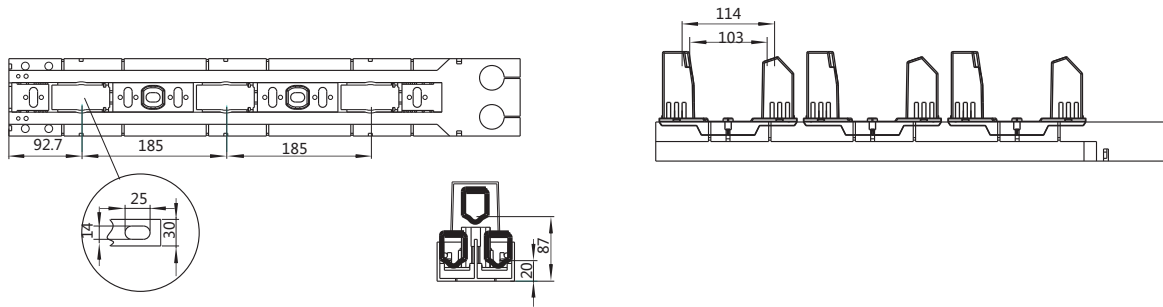


NHRT41-250 ~ 630/3L



Fuse-Switch Disconnecter NHRT41

NHRT41-250 ~ 400/3 、 NHRT41-250 ~ 400/3L Base



NHRT41-630/3 、 NHRT41-630/3L Base

