



KG316T series

1. General

KG316T series time switch is mainly used in automatic control circuits with AC 50Hz/60Hz, rated control supply voltage up to 220V and rated operating current up to 3A, for the purpose of timed connect and disconnect control for lamppost, advertising light boxes, etc.

Standards: IEC 60947-5-1.

2. Technical data

Rated control supply voltage U_s , frequency	AC220V, 50Hz/60Hz
Allowable fluctuation range of rated control power supply voltage	85% U_s ~110% U_s
Operating method	Manually opened, manually closed, automatic switch
Number of programmable groups	16 groups
Battery	AAA size battery (replaceable)
Time control range	1min~168h
Timing error	$\pm 2s/d$
Contact number	1NO contact
Other function	Delayed sleep function. Clock auto calibration function
Contact capacity	U_e/I_e : AC-15 240V/3A; Ith: 10A
Electrical life /mechanical life(10,000 times)	10/100
Ambient temp	-5°C ~ +40°C
Installation method	Equipped(KG316T) Equipped, rail mounting. wall mounting(KG316T-D)

3. Overall and mounting dimensions (mm)

3.1 Wiring for direct control mode: direct control mode can be used for electrical apparatus which is single-phase power supply and its power consumption doesn't exceed rated value of this switch. See Figure 1 for wiring method;

3.2 Wiring for single-phase dilatancy mode: it is required a AC contactor with larger capacity than electrical apparatus power consumption for dilatancy when the controlled electrical apparatus is single-phase power supply, whereas its power consumption exceeds rated value of this switch. See Figure 2 for wiring method;

3.3 Wiring for three-phase operation mode: if the controlled electrical apparatus is three-phase power supply, it is required to externally connect three-phase AC contactor;

a. See Figure 3 for wiring, control contactor @ AC220V coil voltage, 50Hz;

b. See Figure 4 for wiring, control contactor @ AC380V coil voltage, 50Hz.

4. Overall and mounting dimensions (mm)

Figure 1

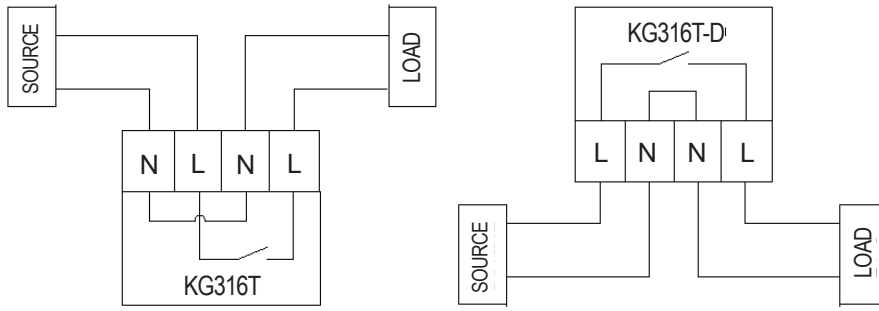


Figure 2

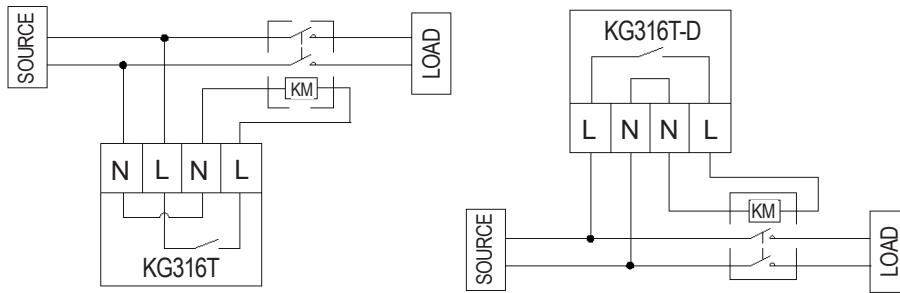


Figure 3

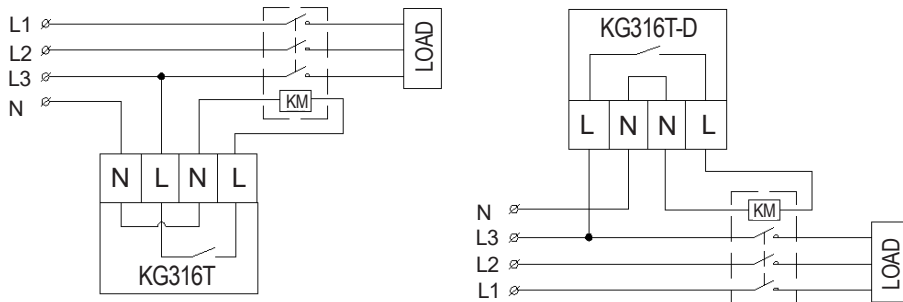


Figure 4

