



KG10M Time Switch

1. General

KG10M time switch is mainly used for the timed connection and disconnection control of street lamps, advertising lamps and other equipment in the automatic control circuit with AC frequency of 50Hz/60Hz, rated operating voltage of 220V and rated operating current of 3A.

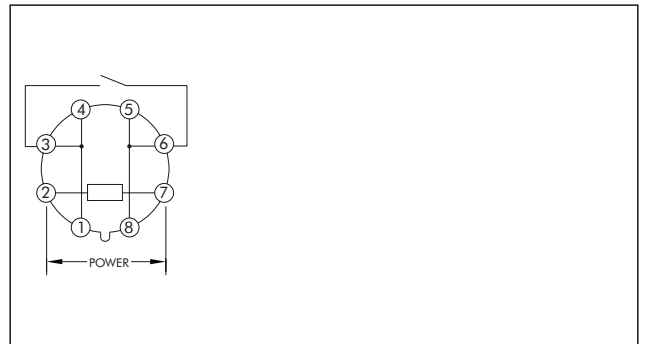
Standards: IEC 60947-5-1.

2. Technical data

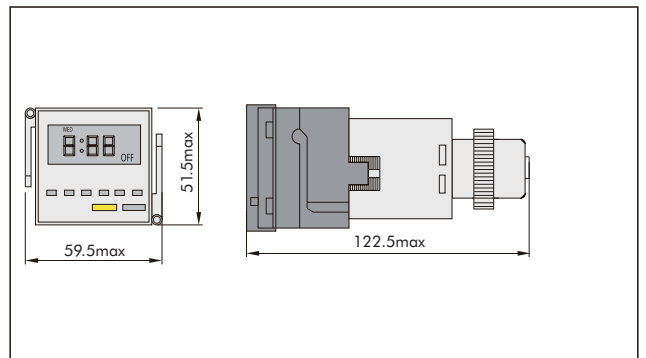
Rated control supply voltage U_s , frequency	AC220V, 50Hz/60Hz
Allowable fluctuation range of rated control power supply voltage	85% U_s ~110% U_s
Operating method	Manually opened, manually closed, automatic switch
Number of programmable groups	16 groups
Battery	built-in rechargeable battery
Time control range	1 min~168h
Timing error	$\pm 2s/d$
Contact number	1 normally-open contact
Contact capacity	U_e/l_e : AC-15 220V/3A; lth: 10A
Electrical life/mechanical life(10,000 times)	10/100
Ambient temp	-5°C ~ +40°C
Installation method	Panel type

3. Wiring diagram

Wiring diagram



4. Overall and mounting dimensions (mm)



Opening size

