



KG10D Time Switch

1. General

KG10D time switch is mainly used for the timed connection and disconnection control of street lamps, advertising lamps and other equipment in the automatic control circuit with AC frequency of 50Hz/60Hz, rated operating voltage of 220V and rated operating current of 3A.

Standards: IEC 60947-5-1.

2. Technical data

Rated control supply voltage U_s , frequency	AC220V, 50Hz/60Hz
Allowable fluctuation range of rated control power supply voltage	(85%~110%) U_s
Operating method	Manually opened, manually closed, automatic switch
Number of programmable groups	16 groups
Battery	Built in lithium battery
Time control range	1 min~168h
Timing error	$\pm 2s/d$
Contact number	1 group of change-over contact or 1 NO contact
Contact capacity	U_e/I_e : AC-15 240V/3A; lth: 10A
Electrical life/mechanical life(10,000 times)	10/100
Ambient temp	-5°C ~+40°C
Installation method	Guide rail type

3. Wiring diagram

3.1 KG10D-1H is 1 NO and see Figure 4 for wiring method;

3.2 KG10D-1Z is 1 NO/ 1 NC and see Figure 3 for wiring method;

3.3 Wiring for single-phase direct control mode: direct control mode can be used for electrical apparatus which is single-phase power supply and its power consumption doesn't exceed rated value of this switch. See Figure 1 for wiring method;

3.4 Wiring for three-phase operation mode: if the controlled electrical apparatus is three-phase power supply, it is required to externally connect three-phase AC contactor. See Figure 2 for wiring method for control contactor @ AC220V coil voltage, 50Hz.

Figure 1 single-phase load

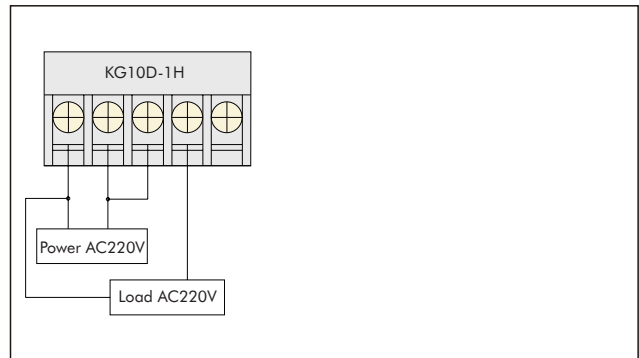


Figure 2 three-phase load

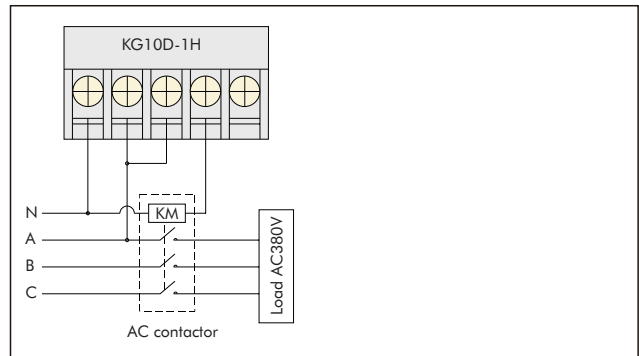


Figure 3 KG10D-1Z

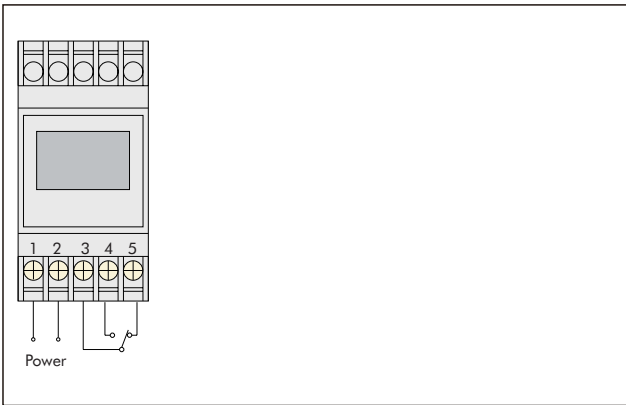
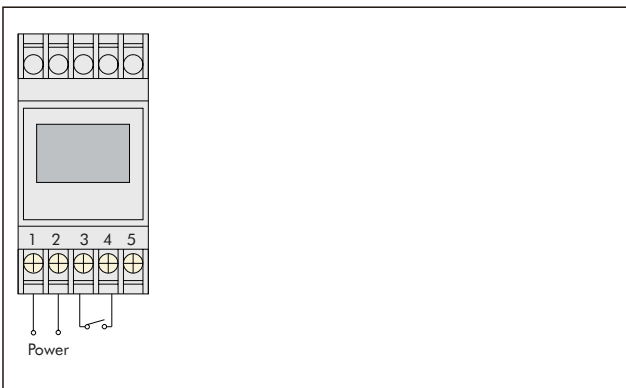


Figure 4 KG10D-1H



4. Overall and mounting dimensions (mm)

