



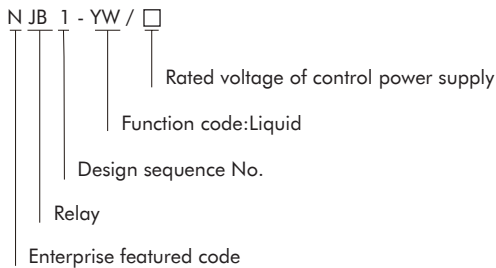
NJB1-YW Series Liquid Control Relays

1. General

NJB1-YW series liquid level relay(hereinafter referred to as the relay) is used for liquid level automatic control in civil water towers, elevated water tanks, underground reservoirs, etc.

with control circuits of AC frequency of 50Hz/60Hz and rated control voltage up to 380V. The relay can be wired to realize automatic water supply or discharge control upon users' request. This product is not applicable for liquid level control of poorly conductive liquids such as oil, purified water, explosive or inflammable chemical liquids as well as sewage with high density.

2. Type designation

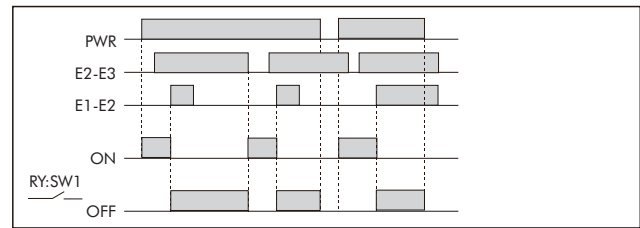


3. Technical data

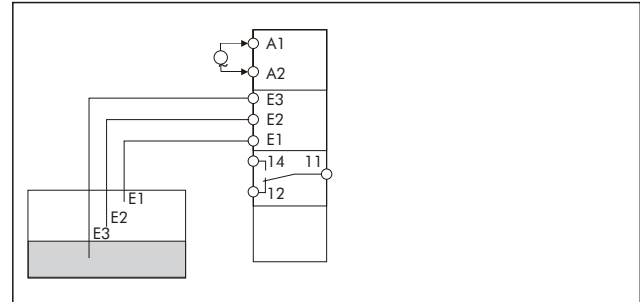
| Type | NJB1-YW |
|----------------------------|---|
| Operating mode | Continuous working |
| Contact number | 1 Switching |
| Contact capacity | Ue/Ie:AC-15 24V/0.75A,415V/0.47A;Ith:3A |
| Voltage between electrodes | DC12V |
| Power consumption | Max value about 3VA |
| Operation resistance | 5kΩ~100kΩ(adjustable) |
| Resetting resistance | 250kΩmax |
| Response time | 0.1s~10s(adjustable) |
| Cable length | Max length 100m |
| Indication mode | Green LED: power supply indication; red LED:relay operation indication |
| Ambient temperature | -5°C~+40°C |
| Installation mode | Rail mounting, Equipment type |

4. Operating time-sequence diagram and wiring diagram

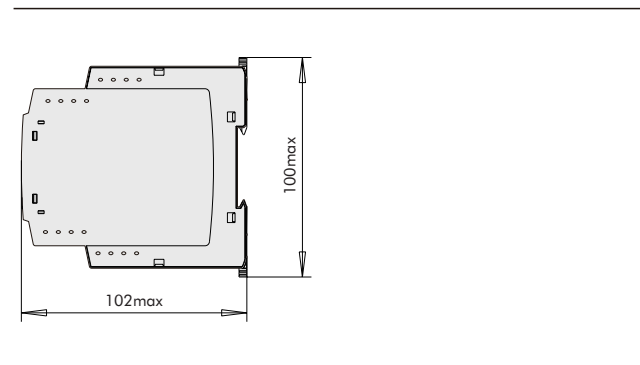
NJB1-YW operation time-sequence diagram

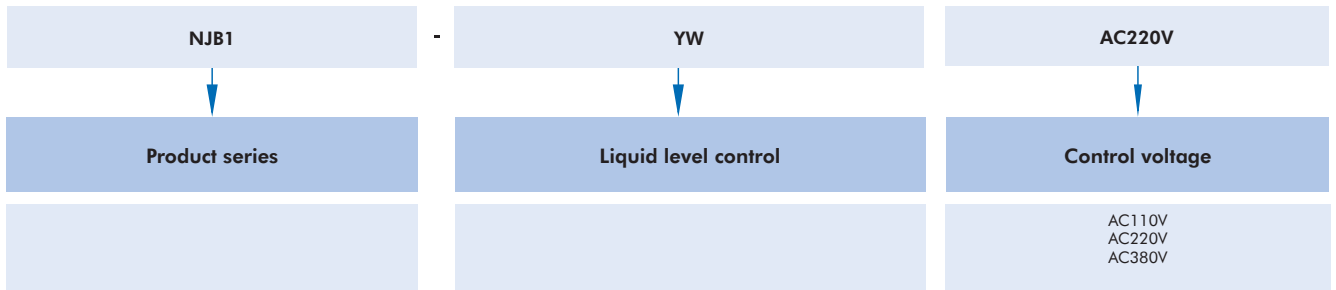


NJB1-YW wiring diagram



5. Overall and mounting dimensions (mm)





| | Control voltage | Contact ability | Contact group | Cable length | Description | Code |
|--|-----------------|--------------------|---------------|--------------|----------------|--------|
| | AC110V | 240V/0.75A, lth:3A | 1Z | ≤100m | NJB1-YW AC110V | 310021 |
| | AC220V | 240V/0.75A, lth:3A | 1Z | ≤100m | NJB1-YW AC220V | 310022 |
| | AC380V | 240V/0.75A, lth:3A | 1Z | ≤100m | NJB1-YW AC380V | 310023 |