



JYB-714 Series

1. General

JYB-714 series liquid level is used for liquid level automatic control in civil water towers, elevated water tanks, underground reservoirs, etc. with control circuits of AC 50Hz/60Hz and rated control voltage up to 380V. The relay can be wired to realize automatic water supply or discharge control upon users' request.

This product is not applicable for liquid level control of poorly conductive liquids such as oil, pure water, explosive or inflammable chemical liquids as well as sewage of high density.

Standards: IEC 60947-5-1

2. Type designation

JYB - 714 □

Liquid

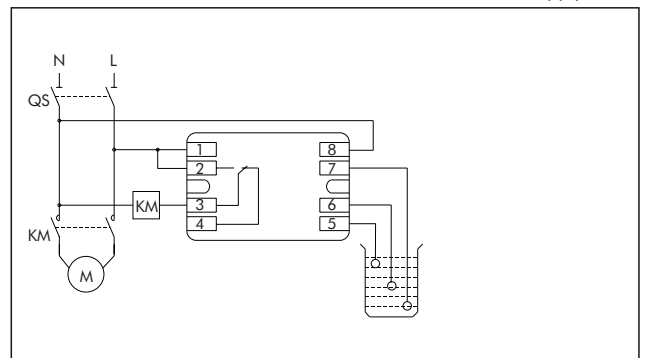
Design sequence No.: Nil: Basic type
 Type B: with reacting indicator;
 Type C: with "water supply"; "drainage" reacting indicator

3. Technical data

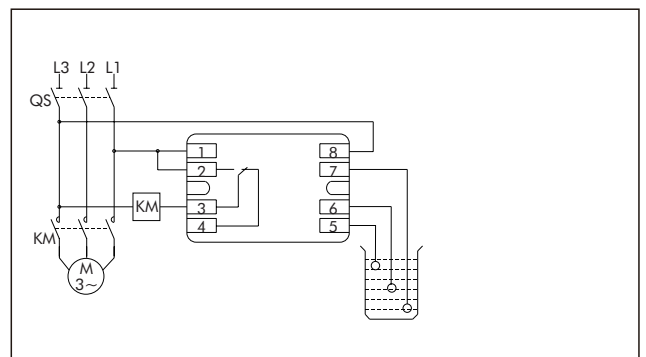
Type	JYB-714	JYB-714B	JYB-714C
Operating mode	Continuous working		
Contact number	One group of changeover contact		
Contact capacity	Ue/Ie: AC-15 220V/1.5A; Ith: 5A		
Rated control power voltage	AC36V, AC110V, AC220V, AC380V, 50Hz/60Hz (other voltage can be custom made)		
Allowable fluctuation range of rated control power supply voltage	85%~110%		
Conductor length	MAX 1km		
Ambient temperature	-5°C ~ +40°C		
Power consumption	<3VA		
Installation mode	Device type or guide rail type		

4. Wiring diagram

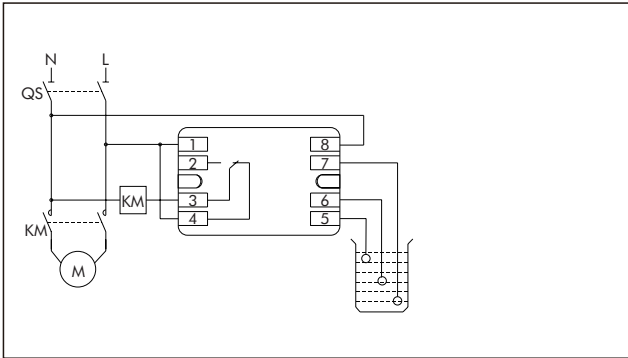
Wiring diagram for JYB-714, JYB-714B, JYB-714C
 220V water supply mode



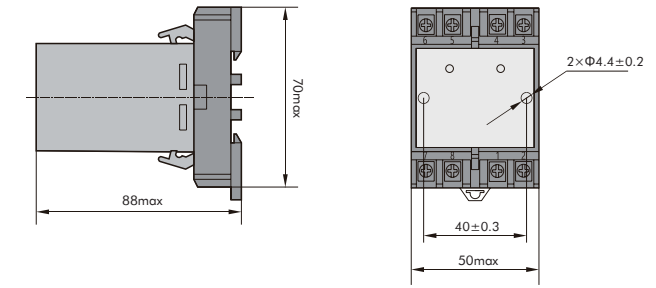
Wiring diagram for JYB-714, JYB-714B, JYB-714C
 380V water supply mode



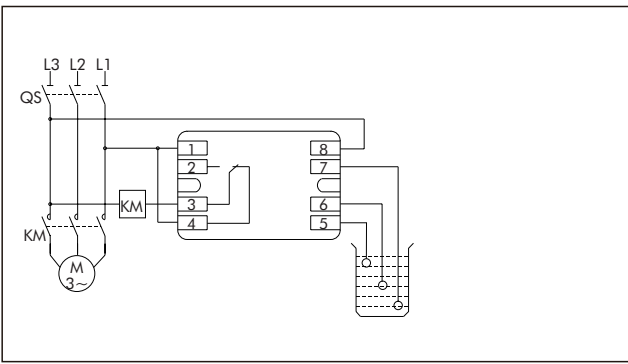
Wiring diagram for JYB-714, JYB-714B, JYB-714C
220V water drainage mode



JYB-714C

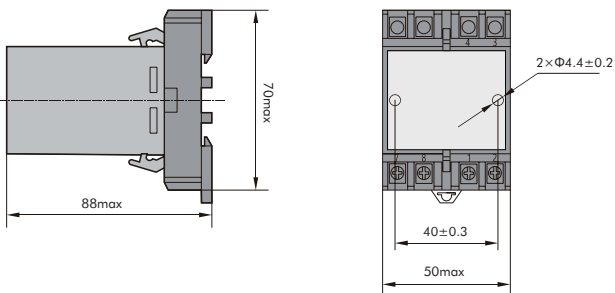


Wiring diagram for JYB-714, JYB-714B, JYB-714C
380V water drainage mode



5. Overall and mounting dimensions (mm)

JYB-714



JYB-714B

