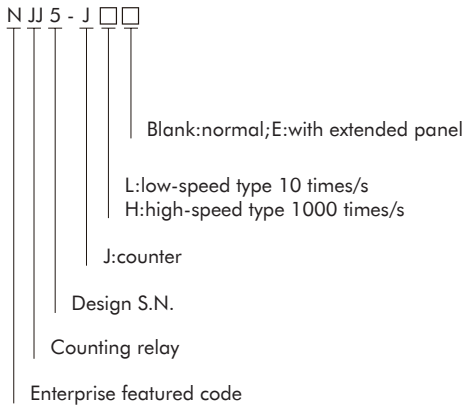


NJJ5-J Electronic Counter

1. General

NJJ5-J electronic counter (hereinafter referred to as the counter) is mainly used for counting in the circuit with AC frequency of 50Hz/60Hz, AC rated control power supply voltage up to 240V and DC rated control power supply voltage up to 240V.

2. Type designation



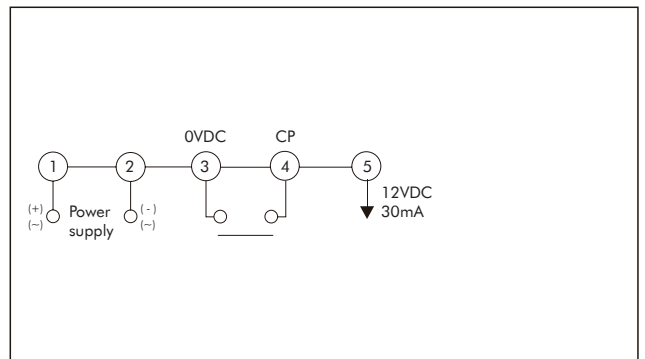
Note: This product is applicable for wide range operating voltage, for instance, operating voltage within AC/DC100V~240V means it can operate normally within the voltage range of AC/DC 100V to 240V.

3. Technical data

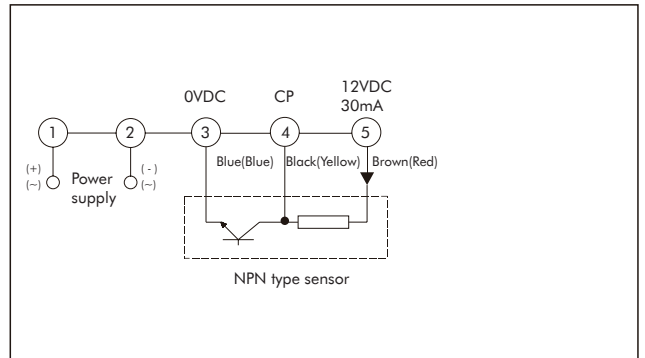
Rated control power voltage	AC/DC100V~240V,50Hz/60Hz;DC24V
Allowable fluctuation range of rated control power supply voltage	85%~110%
Counting range	0~999999
Counting speed	10 times/s or 1000 times/s
Counting mode	Addition counting mode
Input signal	Contact input, sensor input(NPN type)
Reset mode	Panel button reset, external terminal reset
Reset min pulse width	20ms
Counting error	≤±1 time
Current failure memory	>10years
Power consumption	About 1.5VA
Installation mode	Panel type
Ambient temperature	-5°C ~ +40°C

4. Wiring diagram

NJJ5-J contact signal input

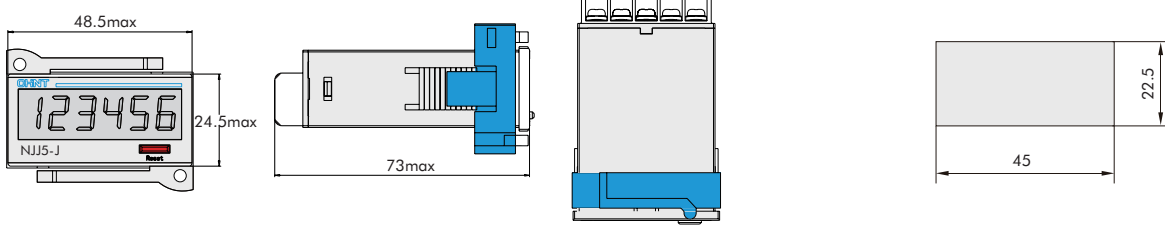


NJJ5-J sensor signal input



5. Overall and mounting dimensions (mm)

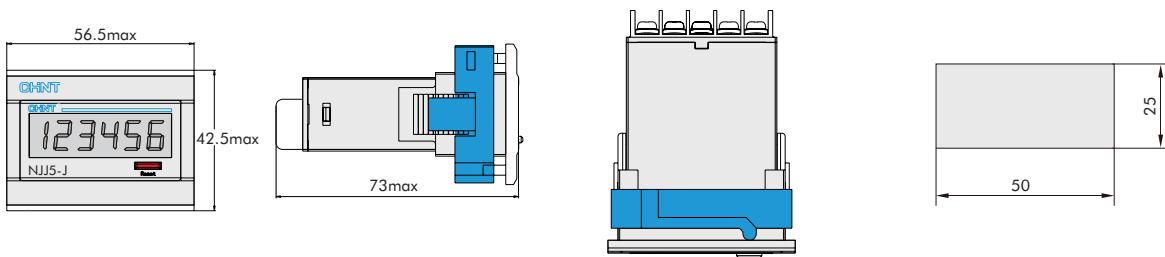
Opening size



6. Extended panel type

Extended panel type

Opening size of extended panel type



7. Operating timing-sequence diagram

NJJ5-J operating timing-sequence diagram

