



JDM3 Electronic Counter

1. General

JDM3 electronic counter (hereinafter referred to as the counter), internally powered by lithium battery, is compact in appearance and used for counting in various circuits.

2. Type designation

JDM 3 - □ □ □

L: low speed counting, 10 times/second;
H: high speed counting, 200 times/second.

Blank: without voltage input;
V: DC voltage input;
A: AC voltage input.

Counting digits: 6: 6-digit counting;
8: 8-digit counting.

Design sequence No.

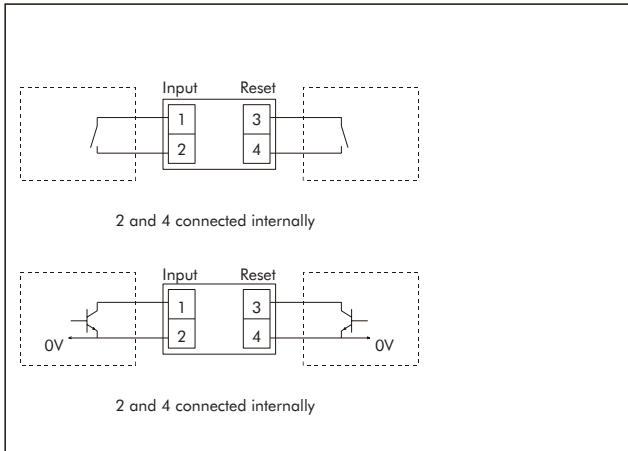
Counter

3. Technical data

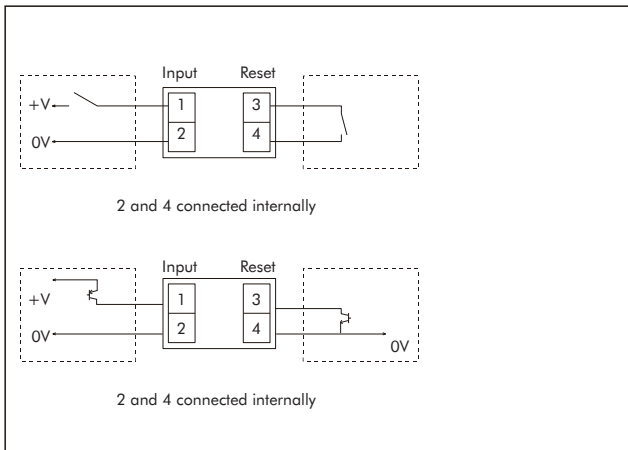
Power supply	Internal power supply
Battery life	About 6 years(25°C)
Display mode	LCD display, display "0" type (hide "0" type can be customized)
Output mode	No output
Counting digits	6-bit counter or 8-bit counter
Counting rate	10 times/s or 200 times/s
Counting mode	Add count
Without voltage input	None: no voltage input; V: DC voltage input; A: AC voltage input No voltage input (contact input): maximum contact connection resistance: ≤ 10KΩ (count on); Minimum contact breaking resistance: ≥ 500KΩ (count off); Input maximum residual voltage: 0.5V
DC voltage input	DC voltage input (V): I: 0.0V~2V; H: DC 4V~30V (H valid) (input impedance: ≥ 4.7 kΩ)
AC voltage input	AC voltage input (a): AC/DC 24V~240V
Reset mode	Panel button reset (6 digits), external terminal reset (6 digits & 8 digits)
Reset minimum pulse width	≥ 0.2s
Counting error	≤ ± 1 time
Ambient temp	-5°C ~ +40°C
Installation method	Panel type

4. Wiring diagram

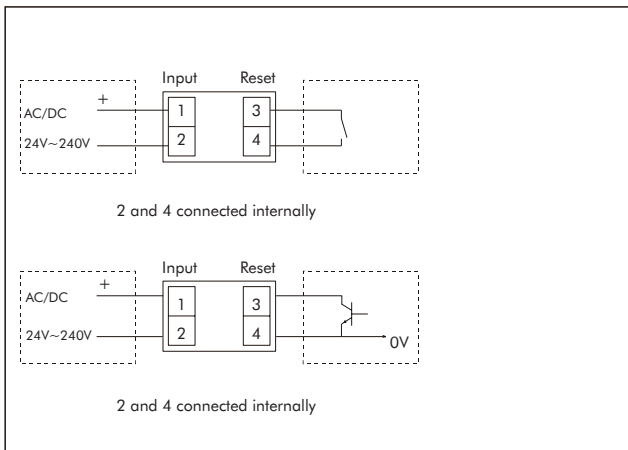
JDM3 (without voltage input)



JDM3 (DC voltage input)



JDM3 (AC voltage input)



5. Overall and mounting dimensions (mm)

