



NQ3 DOL Electromagnetic Starter

1.General

1.1 NQ3 series electromagnetic starter

("starter" for short hereinafter) applies mainly to circuit with AC current of 50Hz (or 60Hz), rated operational voltage of 690V

and rated controlled power up to 11kW

(current up to 22A)

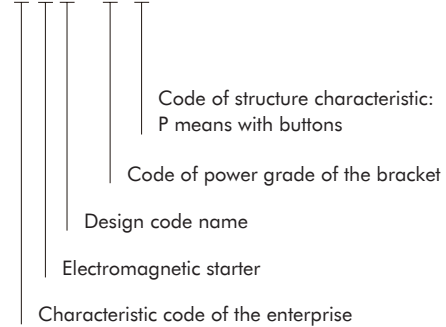
for using to control the direct start

and halt of the electromotor to protect the motor from overload and phase failure.

1.2 The starter conforms to standards IEC/EN60947-4-1

2.Type designation

N Q 3 - □ P



3.Technical data

Altitude: not exceeding 2000m;

Temperature of ambient air: -5°C ~ +40°C

Rated control supply voltage (AC 50Hz,50/60Hz,60Hz):

24V, 36V, 48V, 110V, 127V, 220V, 380V, 415V

Mechanical life: 1,000,000 circles;

Electric life: 500,000 circles;

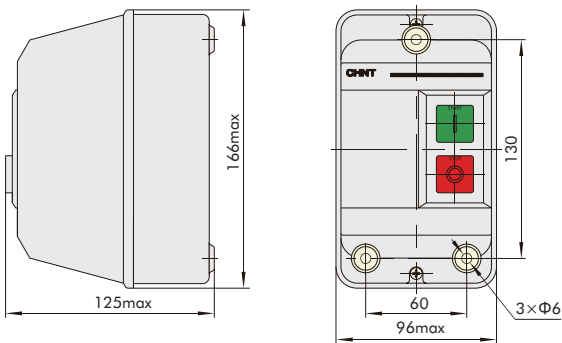
IP55

Table 1 Basic Model and main technical parameter of the starter

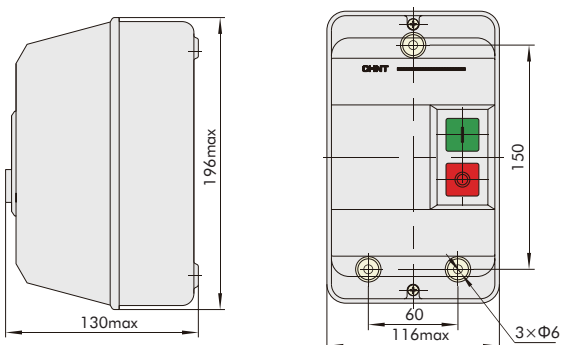
Model	AC contactor model assembled	Thermal relay model assembled	Current setting range (A)	AC-3					
				220/230V		380/400V		660/690V	
				Ie(A)	Pe(kW)	Ie(A)	Pe(kW)	Ie(A)	Pe(kW)
NQ3-5.5P	NC1-1810	NR2-25	0.1 ~ 0.16	0.16	0.03	0.16	0.04	0.16	0.06
			0.16 ~ 0.25	0.25	0.04	0.25	0.06	0.25	0.12
			0.25 ~ 0.4	0.4	0.06	0.4	0.09	0.4	0.18
			0.4 ~ 0.63	0.63	0.09	0.63	0.18	0.63	0.25
			0.63 ~ 1	1	0.18	1	0.25	1	0.55
			1 ~ 1.6	1.6	0.25	1.6	0.55	1.6	1.1
			1.25 ~ 2	2	0.37	2	0.75	2	1.1
			1.6 ~ 2.5	2.5	0.37	2.5	0.75	2.5	1.5
			2.5 ~ 4	4	0.75	4	1.5	4	3
			4 ~ 6	6	1.1	6	2.2	6	4
			5.5 ~ 8	8	1.5	8	3	8	5.5
			7 ~ 10	10	2.2	10	4	10	7.5
			9 ~ 13	12	3	12	5.5	-	-
NQ3-11P	NC1-3210	NR2-25	0.63 ~ 1	1	0.18	1	0.25	1	0.55
			1 ~ 1.6	1.6	0.25	1.6	0.55	1.6	1.1
			1.25 ~ 2	2	0.37	2	0.75	2	1.1
			1.6 ~ 2.5	2.5	0.37	2.5	0.75	2.5	1.5
			2.5 ~ 4	4	0.75	4	1.5	4	3
			4 ~ 6	6	1.1	6	2.2	6	4
			5.5 ~ 8	8	1.5	8	3	8	5.5
			7 ~ 10	10	2.2	10	4	10	7.5
			9 ~ 13	13	3	13	5.5	13	11
			12 ~ 18	18	4	18	7.5	18	15
17 ~ 25	22	5.5	22	11	-	-			

4. Overall and mounting dimension (mm)

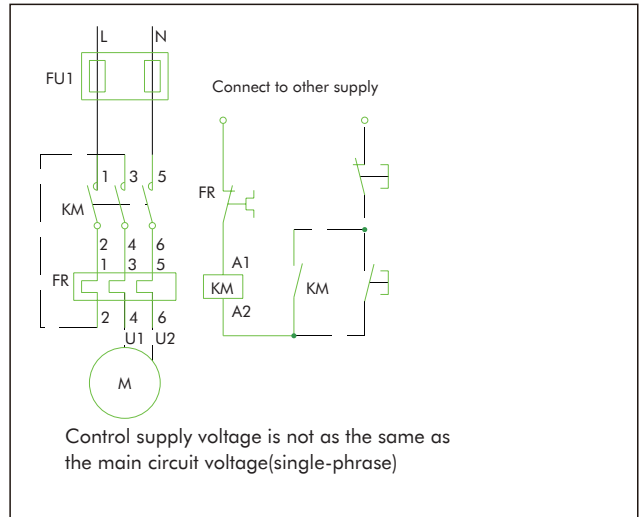
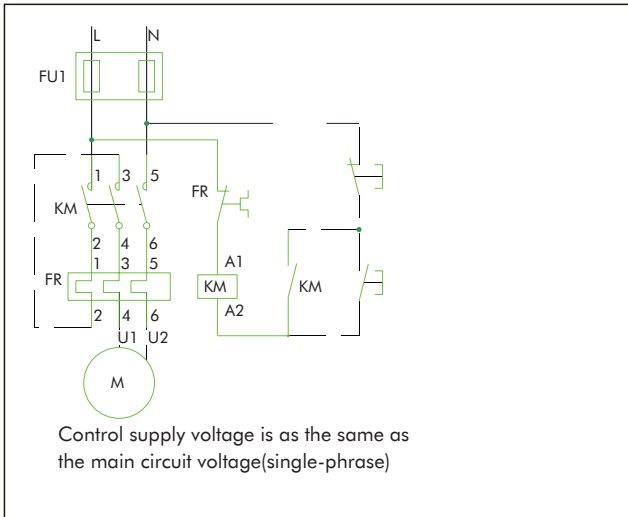
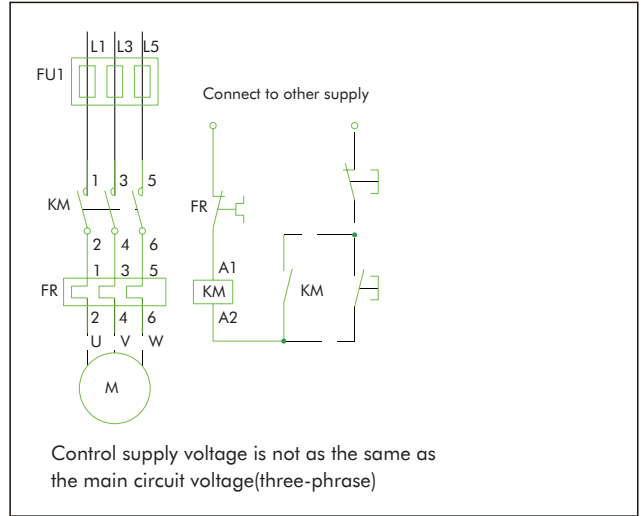
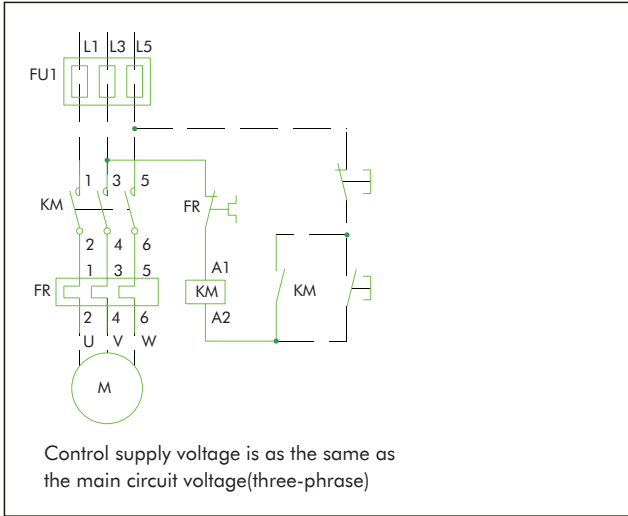
NQ3-5.5P



NQ3-11P

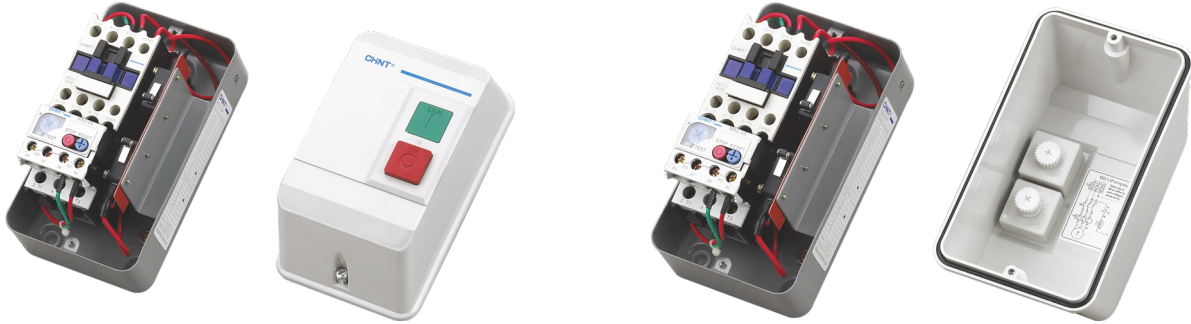


5. Wiring Diagram



6. Picture

NQ3-5.5P



NQ3-11P

