



## NKB1 Series Control & Protective Switching Devices

### 1.General

NKB1 series control & protective switching device (CPS) is mainly applied to circuit with AC current frequency of 50 Hz or 60Hz, rated operational voltage up to 690V and rated operational current from 1A to 125A used for it is making, carrying and breaking currents under normal conditions, including specified overload conditions and for making, carrying for a specified time and breaking currents under specified abnormal conditions such as those of short-circuits.

NKB1 series CPS is applied to power distribution and motor protection & control of various occasions or systems, e.g. infrastructure, buildings, communications, etc.

Standard: IEC60947-6-2 Multiple function equipment- Control and protective switching devices (or equipment) (CPS).

Symbol: 

### 2. Features

NKB1 series CPS adopts the integrated modular structure, integrating the main functions of circuit breaker, contactor, over load relay, starter, disconnecter, and so on.

With small volume and high reliability, it consists of the advantages of high short current breaking capacity and short flashover distance. It can provide inverse time delay protection, short circuit short time delay protection, instantaneous short circuit protection, and fast short circuit protection. Once function selected according to requirements, it can provide protection for various motor starting, control circuits and distribution circuits with accurate and reliable performance.

NKB1 series product consists of enclosure, electromagnetic transmission mechanism, operation mechanism, main circuit contacts sets, intelligent trip unit and auxiliary contacts, and can control the making and breaking of the circuit locally or remotely.

The CPS has a variety of circuit protection functions: start delay, phase failure, three phases unbalance, under current, over voltage, under voltage, etc.

The CPS has different types for choice: basic type, fire-fighting type, leakage type, communication type. The whole series products have isolation function.

The CPS has the one key recovery function and self-setting function, to meet the different needs of the users.

The CPS has two control modes: remote automatic control & local manual control. It has panel indication & electromechanical signal alarm function.

### 3. Operating conditions

Ambient temperature:  $-5^{\circ}\text{C} \sim +40^{\circ}\text{C}$ , average day temperature value  $\leq +35^{\circ}\text{C}$ . It can operate reliably at  $-25^{\circ}\text{C} \sim +70^{\circ}\text{C}$  for a short period.

Altitude:  $\leq 2000\text{m}$ , derating by 10% every 1000m when higher than 2000m.

Humidity: When ambient air temperature is + the relative humidity  $\leq 50\%$ ; Higher relative humidity is allowed at lower temperatures.

The average maximum relative humidity of the month is 90% when the minimum monthly average temperature is  $+ 25^{\circ}\text{C}$ , and the condensation occurring on the surface of the product due to temperature variation is taken into account.

Pollution degree: 3

Installation category: III

Installation site requirement: The external magnetic field of the installation site shall not exceed 5 times of the geomagnetism in any direction. No explosive gas, no corrosive gas; no rain or snow invasion; dry and ventilated.

### 4. Type Designation

N KB 1 - □ □ / □ □ / □ □ □ □

Additional function code:  
 Basic type: blank  
 Fire-fighting type: F  
 Leakage type: L  
 Communication type: T  
 Isolation type: G

Control supply voltage code: M-230V, Q-400V

Auxiliary contacts set code: 06-3NO 2NC+1 fault release+1 fault alarm

Rated operational current Ie(A): 1, 3, 6, 12, 16, 25, 32, 45, 63, 80, 100, 125

Load type code: M-motor protection, L- distribution protection

Breaking capacity code: C-15kA, Y-35kA

Frame size (A): 45, 125

Serial number

Control & Protective Switching Device (CPS)

Enterprise code

### 5. Technical parameter

Table 1 Main circuit technical parameter

Type	NKB1-45	NKB1-125
Rated operational voltage Ue(V)	400,690/50Hz	
Rated insulation voltage Ui(V)	690	800
Rated impulse withstand voltage Uimp(kV)	4	6
Conventional free air thermal current Ith(A)	16	80
Rated operational current Ie(A)	13	63
Utilization categories	AC-43,AC-44	125
Number of poles	3P	100 125

Table 2 Setting current of the controller

Frame size	Rated operational current Ie(A)	Controller rated current Ie(A)	Overload setting current range Ir1(A)	Controllable motor power Pe(kW)(400V)
45	11		0.4~1	0.12~0.3
	33		1.2~3	0.37~1.2
	66		2.4~6	1.0~2.7
	12	12	4.8~12	2.2~5.5
	16	16	6.4~16	3.0~7.5
	25	25	10~25	5.0~12
	32	32	12.8~32	6.5~15
125	45	45	18~45	9.0~22
	63	63	25~63	12~30
	80	80	32~80	15~37
	100	100	40~100	22~45
	125	125	50~125	27~55

Table 3 Operating conditions for controlling electromagnet

Rated control supply voltage	Conventional operation	Operation voltage range
M : AC230V	CPS reliable close	(85%~110%)Us
Q : AC400V	CPS open or trip	(20%~75%)Us

Table 4 Electrical life

Type		NKB1-45	NKB1-125
Electrical life(10 <sup>4</sup> )	AC-43	120	100
	AC-44	20	20
Mechanical life(10 <sup>4</sup> )		1000	500
Duties:Intermittent duty		300 Loading factor 40%	120 Loading factor 25%

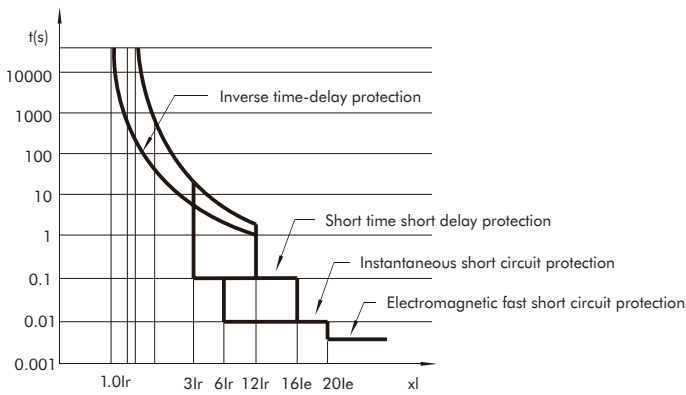


Figure 1 NKB1 time-current characteristics

## 6. Controller technical parameter

Function	Parameter setting	Delay setting	Factory defaults	Setting parameters	Fault status output		
					Basic type	Fire-fighting type	
Overload protection	(0.4 ~ 1)I <sub>e</sub>	Protection curve	F1	(0.4 ~ 1)I <sub>e</sub>	Delay tripping	Delay alarm	
Short circuit short time delay protection	(3 ~ 12)I <sub>r</sub> +OFF	0.1 ~ 0.4s	8I <sub>r</sub> /0.2s	(3 ~ 12)I <sub>r</sub> +OFF	Delay tripping	Delay alarm	
Instantaneous short circuit protection	(6 ~ 16)I <sub>e</sub>	<50ms	14I <sub>e</sub>	(8 ~ 16)I <sub>e</sub>	Instantaneous tripping	Tripping + alarm	
Phase unbalance (phase failure, phase lose) protection	(20% ~ 80%)+OFF	1 ~ 40s	30%/10s	(20% ~ 80%)+OFF	Delay tripping	Delay alarm (tripping)	
Under-current protection	(0 ~ 0.8)I <sub>r</sub> +OFF	1 ~ 60s	OFF	(0 ~ 0.8)I <sub>r</sub> +OFF	Delay tripping	Delay alarm (tripping)	
Under-voltage protection	U <sub>s</sub> 230V	(154V ~ 198V)+OFF	1 ~ 30s	176V/10s	(154V ~ 198V)+OFF	Delay tripping	Delay alarm (tripping)
	U <sub>s</sub> 400V	(266V ~ 342V)+OFF	1 ~ 30s	304V/10s	(266V ~ 342V)+OFF		
Over-voltage protection	U <sub>s</sub> 230V	(230V ~ 286V)+OFF	1 ~ 30s	264V/10s	(230V ~ 286V)+OFF	Delay tripping	Delay alarm
	U <sub>s</sub> 400V	(400V ~ 494V)+OFF	1 ~ 30s	456V/10s	(400V ~ 494V)+OFF		
Start delay protection	(0 ~ 99s)+OFF	0 ~ 99s	3s	~	During the start delay, shield certain protection function, e.g. instantaneous short circuit tripping.		
Locked rotor protection	(5 ~ 9)I <sub>r</sub> +OFF	0 ~ 50s	OFF	Hidden menu	Delay tripping	Delay alarm (tripping)	
Residual current protection	(30 ~ 500mA)+OFF	0.1 ~ 1s	100mA	(30 ~ 500mA)+OFF	Tripping	Alarm	

Notes: Communication and leakage protection are optional function; communication type product adopts RS485 , RJ45 interface, Modbus protocol.

Overload protection setting curve (1.5I<sub>r</sub> operation times) :F0 (overload protection close) , F1(51), F2(98) , F3(144),F4(200)

The power signal of under/over voltage protection of the controller is taken from the control terminal U<sub>s</sub>(A1--A2).

### 6.1 Controller menu

Controller menu grading: open setup menu, hide setup menu, calibration menu;

Open the setup menu: the user can set functional parameters as required;

One key recovery operation: perform a one key recovery operation when parameter setting problem occurs, and the controller will restore the factory settings (factory defaults);

Self-setting operation: when the load operation is stable, perform this self-setting operation, the controller will set the setting current according to the circuit parameters automatically.

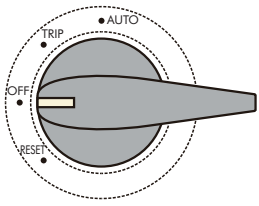
### 6.2 Controller display

When NKB1 is connected to the working power supply, the LED displays the voltage value, and this can be used as a voltmeter, with the last three figures display the voltage value;

NBK1 can be used as an ammeter at runtime, and circularly displays three phase alternating current running condition;

Troubleshooting: no-load runs NKB1, and press "data" key to view the last fault type.

## 7. Operating instruction (handle)



Connect AUTO: (automatic control position) the CPS controls the connection of the electromagnet coil, and realizes remote automatic control by making & breaking the control power supply.

Trip: when there's fault tripping, the mechanism of the switch trips, the main contacts open, and the electromagnet coil circuit is disconnected.

OFF: manual operation, the electromagnet coil circuit is disconnected, the main contacts of the switch remains in the open position.

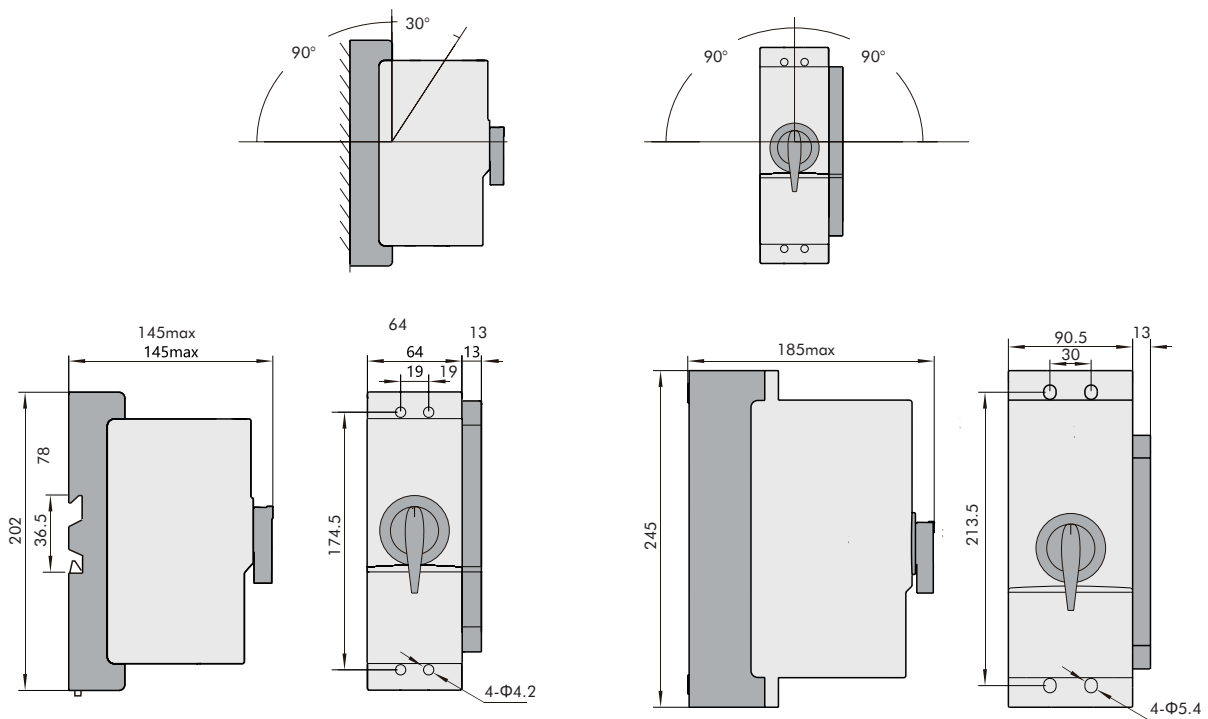
RESET: turn the operation knob, to reset and switch on the tripped switch mechanism.

Isolation status: When the switch is in the OFF position, pull out the isolation strip and lock it, the switch will be on the disconnected isolation status, and the handle is not operational.

Notes: The isolation type CPS has isolation handle and isolation strip.

## 8. Installation

NKB1 Installation dimensions

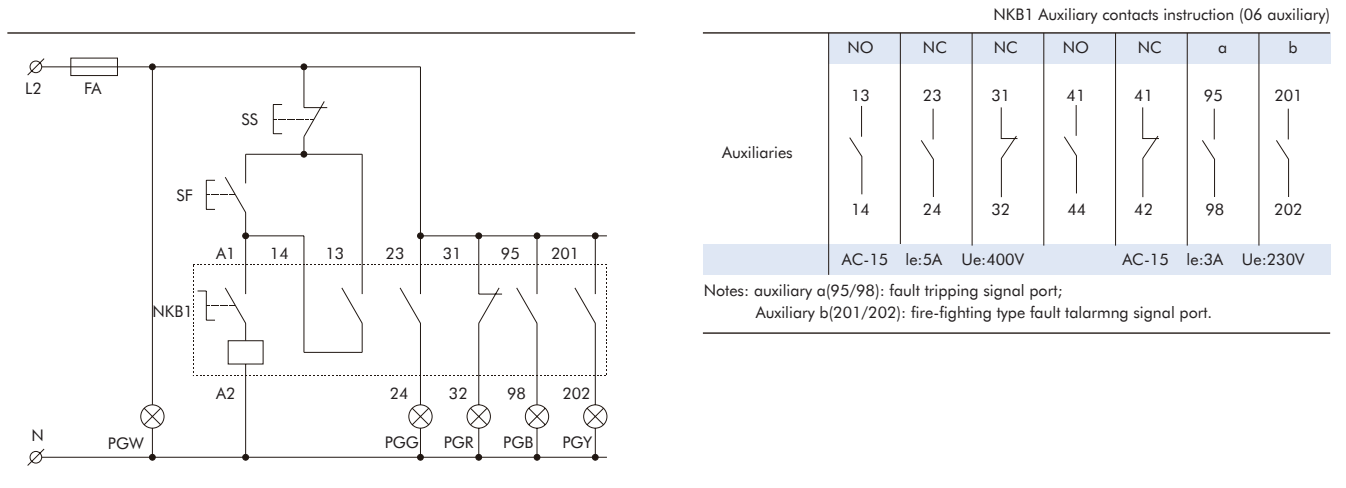


NKB1-45 Control & protective switching device

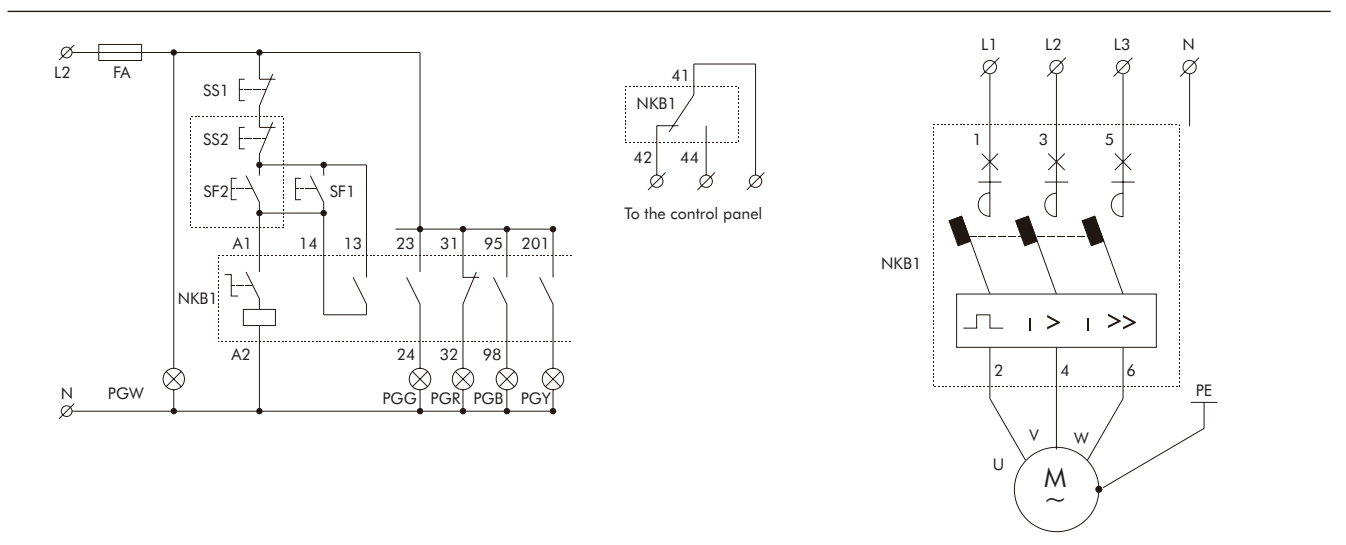
NKB1-125 Control & protective switching device

## 9. Basic electric control chart

### 9.1 Manual panel + local control



### 9.2 Manual panel + local control+ remote control



Notes: This diagram is applicable to all kinds of motor when single equipment is in normal operation and adopts simultaneous local and remote control.

## 10. Attention

- 10.1 Before installing the CPS, make sure that the operation knob can work normally and is on the OFF position; "AUTO" indicates the connection status of the main circuit;; "TRIP" indicates the free tripping position that caused by circuit fault, and the circuit fault must be removed by the responsible person before one operates the switch; "OFF" indicates the main circuit open position; the free tripped switch can only be reset and switched on by turning the operation knob to "RESET".
- 10.2 Before installing the switch, make sure that the power supply of the coil and auxiliaries comply with the product instruction as well as with the actual control circuit.
- 10.3 Energizing (85% ~ 110% )Us to the coil, the electromagnet closes reliably when the knob is on "AUTO" position, and the electromagnet releases reliably when the knob is on "OFF" position. The current setting has been set up before leaving the factory, and users can adjust it according to actual needs.
- 10.4 NKB1 can continue to run after breaking short circuit current, but it need checking and confirmation of its operation status before continue operation.
- 10.5 In high power motor controlling application (above 11kW), when choosing the starting mode, the user shall take starting torque, current multiple, voltage drop, circuit capacity into consideration. According to general requirements, to start normally with proper load and satisfy the reliable operation of NKB1 electromagnet, the voltage reduction limit shall not exceed 80% of the rated value, and the starting current multiple shall not exceed(4 ~ 5) times.
- 10.6 The exposed part of the external connecting wire of the incoming and outgoing terminal of the switch shall be wrapped with insulator.
- 10.7 In the process of transportation and storage, the products shall be protected from rain and snow. The storage environment shall meet the following conditions: daily average temperature shall be +25°C , relative humidity shall be less than 90%, the environment temperature shall be no higher than +40°C and no less than -5°C .

## 11. Ordering instructions

During product selection, the user shall specify the following contents, if necessary, application conditions or requirements shall be further specified:

Product name & type;

Rated current of the switch, intelligent controller type & rated current;

Control power supply voltage of the electromagnet coil;

Additional functions required.

## Motor starter Type II coordination

### FUSE + Contactor + Thermal Relay

- DOL, 50KA at IEC60947-4-1 standard for IE1&IE2 motor
- Fuse+NXC+NXR
- Motor power 0.06 to 315KW at 380/400/415V 50/60Hz

Motor		Fuse		Contactor	Thermal overload relay	
kW	In(A)	gG (A)	αM(A)	Model	Model	In(A)
0.06	0.2	2	2	NXC06M or NXC06	NXR-12 or NXR-25	0.16-0.25
0.09	0.3	2	2	NXC06M or NXC06	NXR-12 or NXR-25	0.25-0.4
0.12	0.44		2	NXC06M or NXC06	NXR-12 or NXR-25	0.4-0.63
0.18	0.6					
0.25	0.85	4	2	NXC06M or NXC06	NXR-12 or NXR-25	0.63-1
0.37	1.1	4	2	NXC06M or NXC06	NXR-12 or NXR-25	1-1.6
0.55	1.5	6	2	NXC06M or NXC06	NXR-12 or NXR-25	1.25-2
0.75	1.9	6	4	NXC06M or NXC06	NXR-12 or NXR-25	1.6-2.5
1.1	2.7		4	NXC06M or NXC06	NXR-12 or NXR-25	2.5-4
1.5	3.6					
2.2	4.9	16	6	NXC09M or NXC06	NXR-12 or NXR-25	4-6
3	6.5	20	8	NXC12M or NXC09	NXR-12 or NXR-25	5.5-8
4	8.5	20	10	NXC09	NXR-25	7-10
5.5	11.5	25	16		NXR-25	9-13
7.5	15.5		16	NXC18	NXR-25	12-18
11	22	50	20	NXC25	NXR-25	17-25
15	29	63	32	NXC32	NXR-38	23-32
18.5	35	80	40	NXC40	NXR-100	30-40
22	41	100		NXC50	NXR-100	37-50
30	55	100	63	NXC65	NXR-100	48-65
37	66	100	80	NXC75	NXR-100	55-70
45	80	125	100	NXC85	NXR-100	63-80
55	97	160	125	NXC100	NXR-100	80-100
75	132	315	160	NXC160	NXR-200	80-160
90	160	315	200	NXC185	NXR-200	125-200
110	195	315	250	NXC225	NXR-200	125-200
132	230	400	315	NXC265	NXR-630	125-250
160	280					
185	326	630	400	NXC330	NXR-630	200-400
220	387	800	500	NXC400	NXR-630	315-630
250	439	800	500	NXC500	NXR-630	315-630
315	540	950	630	NXC630	NXR-630	315-630

**FUSE + Contactor + Thermal Relay**

- DOL, 50KA at IEC60947-4-1 standard for IE1&IE2 motor
- Fuse+NC8+NR8
- Motor power 0.06 to 250KW at 380/400/415V 50/60Hz

Motor		Fuse		Contactor	Thermal overload relay	
kW	In(A)	gG (A)	aM(A)	Model	Model	In(A)
0.06	0.2	2	2	NXC06M or NXC06	NXR-12 or NXR-25	0.16-0.25
0.09	0.3	2	2	NC8-06M or NC8-09	NR8-16 or NB8-38	0.25-0.4
0.12	0.44	2	2	NC8-06M or NC8-09	NR8-16 or NB8-38	0.4-0.63
0.18	0.6				NR8-16 or NB8-38	0.4-0.63
0.25	0.85	4	2	NC8-06M or NC8-09	NR8-16 or NB8-38	0.63-1
0.37	1.1	4	2	NC8-06M or NC8-09	NR8-16 or NB8-38	1-1.6
0.55	1.5	6	2	NC8-06M or NC8-09	NR8-16 or NB8-38	1-1.6
0.75	1.9		4	NC8-06M or NC8-09	NR8-16 or NB8-38	1.6-2.5
1.1	2.7	10	4	NC8-06M or NC8-09	NR8-16 or NB8-38	2.5-4
1.5	3.6					
2.2	4.9	16	6	NC8-06M or NC8-09	NR8-16 or NB8-38	4-6
3	6.5	20	8	NC8-09M or NC8-09	NR8-16 or NB8-38	5.5-8
4	8.5		10	NC8-09M or NC8-09	NR8-16 or NB8-38	7-10
5.5	11.5	25	16	NC8-12M or NC8-12	NR8-16 or NB8-38	9-13
7.5	15.5	35	16	NC8-18	NR8-38	12-18
11	22	50	20	NC8-25	NR8-38	16-24
15	29	63	32	NC8-32	NR8-38	23-32
18.5	35	80	40	NC8-40	NR8-38	30-38
22	41	100	50	NC8-50	NR8-93	37-50
30	55	100	63	NC8-65	NR8-93	48-65
37	66	125	80	NC8-80	NR8-93	55-70
45	80	125	100	NC8-80	NR8-93	63-80
55	97	160	125	NC8-115	NR8-200	80-160
75	132	315	160	NC8-150	NR8-200	80-160
90	160	315	200	NC8-170	NR8-200	80-160
110	195	315	250		NR8-630	125-250
132	230	400	315	NC8-265	NR8-630	125-250
160	280	630	400	NC8-300	NR8-630	200-400
185	326	630	400	NC8-400	NR8-630	200-400
220	387	800	500	NC8-400	NR8-630	200-400
250	439	800	500	NC8-500	NR8-630	315-630

**MCCB + Contactor + Thermal Relay**

- DOL Starter,  $I_q = 50\text{KA}$  at IEC60947-4-1 standard for IE1&IE2 motor
- NXM+NXC+NXR
- Motor power 5.5 to 315KW at 380/400/415V 50/60Hz

0	P(kW)	Circuit breaker		Contactor	Thermal overload relay	
		Model	In(A)	Model	Model	In(A)
	5.5	NXM-63H*32*2	16	NXC25	NXR-25	9-13
	7.5	NXM-63H*32*2	20	NXC25	NXR-25	12-18
	11	NXM-63H*32*2	25	NXC25	NXR-25	17-25
	15	NXM-63H*32*2	32	NXC32	NXR-38	23-32
	18.5	NXM-63H*32*2	40	NXC40	NXR-38	30-38
	22	NXM-63H*32*2		NXC50	NXR-100	37-50
	30	NXM-63H*32*2	63	NXC65	NXR-100	48-65
	37	NXM-125H*32*2	80	NXC75	NXR-100	55-70
	45	NXM-125H*32*2	100	NXC85	NXR-100	63-80
	55	NXM-125H*32*2		NXC100	NXR-100	80-100
	75	NXM-160H*32*2	160	NXC160	NXR-200	80-160
	90	NXM-250H*32*2	180	NXC185	NXR-200	125-200
	110	NXM-250H*32*2	225	NXC225		125-200
	132	NXM-400H*32*2	280	NXC265	NXR-630	
	160	NXM-400H*32*2	320	NXC330	NXR-630	200-400
	185	NXM-400H*32*2	400	NXC330	NXR-630	200-400
	220	NXM-630H*32*2	500	NXC400	NXR-630	315-630
	250	NXM-630H*32*2	500	NXC500	NXR-630	315-630
	315	NXM-630H*32*2	630	NXC630	NXR-630	315-630

**MCCB + Contactor + Thermal Relay**

- DOL Starter, Iq= 50KA at IEC60947-4-1 standard for IE1&IE2 motor
- NM8+NC8+NR8
- Motor power 1.5 to 250kw at 380/400/415V 50/60Hz

Motor		Circuit breaker		Contactor	Thermal overload relay	
P(kW)	I(A)	Model	In(A)	Model	Model	In(A)
1.5	3.6	NM8N-125SM	16	NC8-09	NR8-38	2.5-4
2.2	4.9		16	NC8-09	NR8-38	4-6
3	6.5	NM8N-125SM	16	NC8-09	NR8-38	5.5-8
4	8.5	NM8N-125SM	16	NC8-09	NR8-38	7-10
5.5	11.5	NM8N-125SM	16	NC8-25	NR8-38	9-13
7.5	15.5	NM8N-125SM	20	NC8-25	NR8-38	12-18
11	22	NM8N-125SM		NC8-25	NR8-38	16-24
15	29	NM8N-125SM	32	NC8-32	NR8-38	23-32
18.5	35	NM8N-125SM	40		NR8-100	30-40
22	41	NM8N-125SM	50	NC8-50	NR8-100	37-50
30	55	NM8N-125SM	63	NC8-65	NR8-100	48-65
37	66	NM8N-125SM	80	NC8-80	NR8-100	55-70
45	80	NM8N-125SM	80	NC8-80	NR8-100	63-80
55	97	NM8N-125SM	100		NR8-100	80-100
75	132	NM8N-250SM	160	NC8-150	NR8-200	80-160
90	160	NM8N-250SM	180	NC8-170	NR8-200	80-160
110	195	NM8N-250SM	225	NC8-205	NR8-630	125-250
132	230	NM8N-250SM	250	NC8-265	NR8-630	125-250
160	280	NM8N-400SM	315	NC8-300	NR8-630	200-400
185	326	NM8N-400SM	350	NC8-400	NR8-630	200-400
220	387	NM8N-630SM	400	NC8-400	NR8-630	200-400
250	439	NM8N-630SM	500	NC8-500	NR8-630	315-630

**MCCB + Contactor + Thermal Relay**

- DOL Starter, Iq= 70KA at IEC60947-4-1 standard for IE1&IE2 motor
- NM8N+NC8+NR8
- Motor power at 380/400/415V 50/60Hz AC-3

Motor		Circuit breaker		Contactor	Thermal overload relay	
P(kW)	I(A)	Model	In(A)	Model	Model	In(A)
1.5	3.6	NM8N-125QM	16	NC8-09	NR8-38	2.5-4
2.2	4.9	NM8N-125QM	16	NC8-09	NR8-38	4-6
3	6.5	NM8N-125QM	16	NC8-09	NR8-38	5.5-8
4	8.5	NM8N-125QM	16	NC8-09	NR8-38	7-10
5.5	11.5	NM8N-125QM	16	NC8-25	NR8-38	9-13
7.5	15.5	NM8N-125QM	20	NC8-25	NR8-38	12-18
	22	NM8N-125QM	25	NC8-25	NR8-38	16-24
15	29	NM8N-125QM	32	NC8-32	NR8-38	23-32
18.5	35	NM8N-125QM	40	NC8-40	NR8-100	30-40
22	41	NM8N-125QM	50	NC8-50	NR8-100	37-50
30	55	NM8N-125QM	63	NC8-65	NR8-100	48-65
37	66	NM8N-125QM	80	NC8-80	NR8-100	55-70
45	80	NM8N-125QM	80	NC8-80	NR8-100	63-80
55	97	NM8N-125QM	100	NC8-100	NR8-100	80-100
75	132	NM8N-250QM	160	NC8-150	NR8-200	80-160
90	160		180	NC8-170	NR8-200	80-160
110	195	NM8N-250QM	225	NC8-205	NR8-630	125-250
132	230	NM8N-250QM	250	NC8-265	NR8-630	125-250
160	280	NM8N-400QM	315	NC8-300	NR8-630	200-400
185	326	NM8N-400QM	350	NC8-400	NR8-630	200-400
220	387	NM8N-630QM	400	NC8-400	NR8-630	200-400
250	439	NM8N-630QM	500	NC8-500	NR8-630	315-630

**MPCB/MCCB + Contactor**

- DOL Starter, Iq= 50KA at IEC60947-4-1 standard for IE1&IE2 motor
- Circuit breaker+Contactor
- Motor power 0.06 to 250KW at 380/415V

Motor		Circuit breaker			Contactor
P(kW)	I(A)	Model	I(A)	Irm(A)	Model
0.06		NS2-25(X)/0.25	0.16-0.25	2.4	NXC06
0.09	0.3	NS2-25(X)/0.4	0.25-0.4	5	NXC06
0.12		NS2-25(X)/0.63	0.4-0.63	8	NXC06
0.18	0.6	NS2-25(X)/0.63	0.4-0.63	8	NXC06
0.25	0.85	NS2-25(X)/1	0.63-1	13	NXC06
0.37	1.1	NS2-25(X)/1.6	1-1.6	22.5	NXC06
0.55	1.5	NS2-25(X)/1.6	1-1.6	22.5	NXC06
0.75	1.9	NS2-25(X)/2.5	1.6-2.5	33.5	NXC06
1.1	2.7	NS2-25(X)/4	2.5-4	51	NXC12
1.5	3.6	NS2-25(X)/4	2.5-4	51	NXC12
2.2	4.9	NS2-25(X)/6.3	4-6.3	78	NXC12
3	6.5	NS2-25(X)/10	6-10		NXC12
4	8.5	NS2-25(X)/10	6-10	138	NXC12
5.5	11.5	NS2-32H/14	9-14	170	NC8-25
7.5	15.5	NS2-32H/18	13-18	223	NC8-25
11	22	NS2-32H/23	17-23	327	NC8-32
15	29	NS2-32H/32	24-32	416	NC8-40
18.5	35	NS2-80/40	30-40	560	NC8-80
22	41	NS2-80/50		700	NC8-80
30	55	NS2-80/65	48-65	910	NC8-80
37	66	NS2-80/80	63-80	1120	NC8-80
45	80	NS2-80/80	63-80	1120	NC8-80
55	97	NM8N-250SENM/EMM	100		NC8-100
75	132	NM8N-250SENM/EMM	160		NC8-150
90	160	NM8N-250SENM/EMM			NC8-170
110	195	NM8N-250SENM/EMM	250		NC8-205
132	230	NM8N-250SENM/EMM	250		NC8-265
160	280	NM8N-400SENM/EMM	400		NC8-300
185	326	NM8N-400SENM/EMM	400		NC8-400
220	387	NM8N-630SENM/EMM	500		NC8-400
250	439	NM8N-630SENM/EMM	500		NC8-500

**MCCB + Contactor**

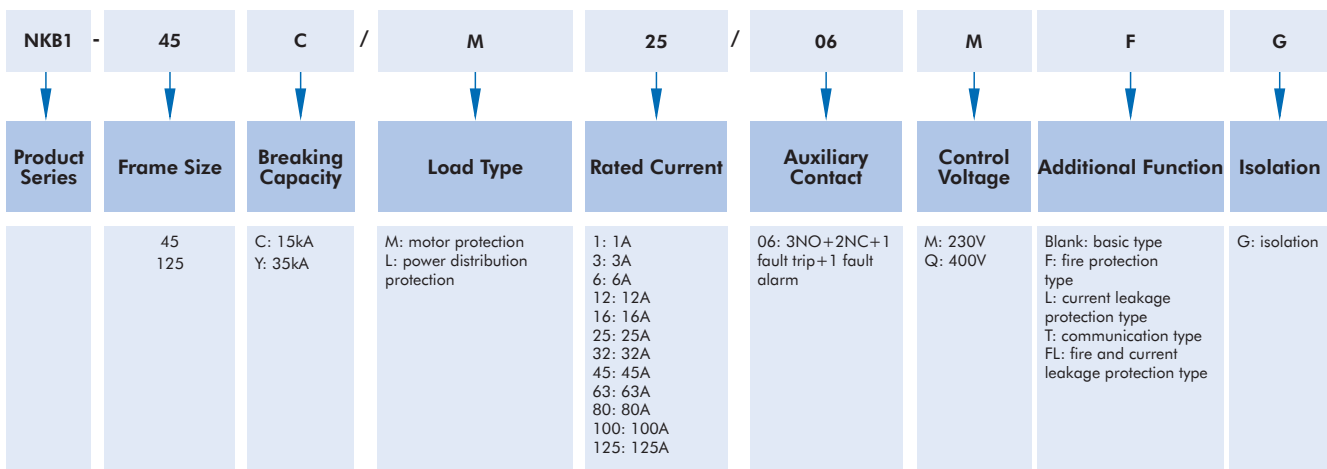
- DOL Starter, Iq= 70KA at IEC60947-4-1 standard for IE1&IE2 motor
- Circuit breaker+Contactor
- Motor power 5.5 to 250kW at 380/400/415V 50/60Hz

Motor		Circuit breaker			Contactor
P(kW)	I(A)	Model	I(A)	Irm(A)	Model
5.5	11.5	NM8N-250QENM/EMM	32		NC8-12M/12
7.5	15.5	NM8N-250QENM/EMM	32		NC8-25
11		NM8N-250QENM/EMM	32		NC8-25
15	29	NM8N-250QENM/EMM	40		NC8-32
18.5	35	NM8N-250QENM/EMM	63		NC8-40
22	41	NM8N-250QENM/EMM	63		NC8-50
30	55	NM8N-250QENM/EMM	63		NC8-65
37	66	NM8N-250QENM/EMM	100		NC8-80
45	80	NM8N-250QENM/EMM	100		NC8-80
55	97	NM8N-250QENM/EMM	100		NC8-100
75	132	NM8N-250QENM/EMM	160		NC8-150
90	160	NM8N-250QENM/EMM	250		NC8-170
110	195	NM8N-250QENM/EMM	250		NC8-205
132	230	NM8N-250QENM/EMM	250		NC8-265
160	280	NM8N-400QENM/EMM	400		NC8-300
185	326	NM8N-400QENM/EMM	400		NC8-400
220	387	NM8N-630QENM/EMM	500		NC8-400
250	439	NM8N-630QENM/EMM	500		NC8-500

**MPCB/MCCB + Contactor**

- DOL Starter, Iq= 100KA at IEC60947-4-1 standard for IE1&IE2 motor
- Circuit breaker+Contactor
- Motor power 0.06 to 250kW at 380/400/415V 50/60Hz

Motor		Circuit breaker			Contactor
P(kW)	I(A)	Model	I(A)	Irm(A)	Model
0.06	0.2	NS2-32H/0.25	0.16-0.25	2.4	NXC06
0.09	0.3	NS2-32H/0.4	0.25-0.4	5	NXC06
0.12	0.44	NS2-32H/0.63	0.4-0.63	8	NXC06
0.18	0.6	NS2-32H/0.63	0.4-0.63	8	
0.25	0.85	NS2-32H/1	0.63-1	13	NXC06
0.37	1.1	NS2-32H/1.6	1-1.6	22.5	NXC06
0.55	1.5	NS2-32H/1.6	1-1.6	22.5	NXC06
0.75		NS2-32H/2.5	1.6-2.5	33.5	NXC06
1.1	2.7	NS2-32H/4	2.5-4	51	NXC12
1.5	3.6	NS2-32H/4	2.5-4	51	NXC12
2.2	4.9	NS2-32H/6.3	4-6.3	78	NXC12
3	6.5	NS2-32H/10	6-10		NXC12
4		NS2-32H/10	6-10		NXC12
5.5	11.5	NM8N-250HENM/EMM	32		NC8-25
7.5	15.5	NM8N-250HENM/EMM	32		NC8-25
11	22	NM8N-250HENM/EMM	32		NC8-32
15	29	NM8N-250HENM/EMM	40		NC8-40
18.5	35	NM8N-250HENM/EMM	63		NC8-80
22	41	NM8N-250HENM/EMM	63		NC8-80
30	55	NM8N-250HENM/EMM	63		NC8-80
37	66	NM8N-250HENM/EMM	100		NC8-80
45	80	NM8N-250HENM/EMM	100		NC8-80
55	97		100		NC8-100
75	132	NM8N-250HENM/EMM	160		NC8-150
90	160	NM8N-250HENM/EMM	250		NC8-170
110	195	NM8N-250HENM/EMM	250		NC8-205
132	230	NM8N-250HENM/EMM	250		NC8-265
160	280	NM8N-400HENM/EMM	400		NC8-300
185	326	NM8N-400HENM/EMM	400		NC8-400
220	387	NM8N-630HENM/EMM	500		NC8-400
250	439	NM8N-630HENM/EMM	500		NC8-500



NKB1 Control and Protective Switching Devices 45~125A

Frame Size Inm	Breaking Capacity	Protection Type	Ie	Coil Voltage	Function	Model Description	Code
45A	15kA	Power distribution	1A	230V	Basic Type	NKB1-45 C/L1/06MG	173516
45A	15kA	Power distribution	1A	230V	Firefighting type	NKB1-45 C/L1/06MFG	173517
45A	15kA	Power distribution	1A	230V	Leakage type	NKB1-45 C/L1/06MLG	173518
45A	15kA	Power distribution	1A	230V	Communication Type	NKB1-45 C/L1/06MTG	173519
45A	15kA	Power distribution	1A	230V	Firefighting type & Communication Type	NKB1-45 C/L1/06MFTG	173520
45A	15kA	Power distribution	1A	230V	Leakage type & Communication Type	NKB1-45 C/L1/06MLTG	173521
45A	15kA	Power distribution	1A	400V	Basic Type	NKB1-45 C/L1/06QG	173510
45A	15kA	Power distribution	1A	400V	Firefighting type	NKB1-45 C/L1/06QFG	173511
45A	15kA	Power distribution	1A	400V	Leakage type	NKB1-45 C/L1/06QLG	173512
45A	15kA	Power distribution	1A	400V	Communication Type	NKB1-45 C/L1/06QTG	173513
45A	15kA	Power distribution	1A	400V	Firefighting type & Communication Type	NKB1-45 C/L1/06QFTG	173514
45A	15kA	Power distribution	1A	400V	Leakage type & Communication Type	NKB1-45 C/L1/06QLTG	173515
45A	15kA	Power distribution	3A	230V	Basic Type	NKB1-45 C/L3/06MG	173528
45A	15kA	Power distribution	3A	230V	Firefighting type	NKB1-45 C/L3/06MFG	173529
45A	15kA	Power distribution	3A	230V	Leakage type	NKB1-45 C/L3/06MLG	173530
45A	15kA	Power distribution	3A	230V	Communication Type	NKB1-45 C/L3/06MTG	173531
45A	15kA	Power distribution	3A	230V	Firefighting type & Communication Type	NKB1-45 C/L3/06MFTG	173532
45A	15kA	Power distribution	3A	230V	Leakage type & Communication Type	NKB1-45 C/L3/06MLTG	173533
45A	15kA	Power distribution	3A	400V	Basic Type	NKB1-45 C/L3/06QG	173522
45A	15kA	Power distribution	3A	400V	Firefighting type	NKB1-45 C/L3/06QFG	173523
45A	15kA	Power distribution	3A	400V	Leakage type	NKB1-45 C/L3/06QLG	173524
45A	15kA	Power distribution	3A	400V	Communication Type	NKB1-45 C/L3/06QTG	173525
45A	15kA	Power distribution	3A	400V	Firefighting type & Communication Type	NKB1-45 C/L3/06QFTG	173526
45A	15kA	Power distribution	3A	400V	Leakage type & Communication Type	NKB1-45 C/L3/06QLTG	173527
45A	15kA	Power distribution	6A	230V	Basic Type	NKB1-45 C/L6/06MG	173540
45A	15kA	Power distribution	6A	230V	Firefighting type	NKB1-45 C/L6/06MFG	173541
45A	15kA	Power distribution	6A	230V	Leakage type	NKB1-45 C/L6/06MLG	173542
45A	15kA	Power distribution	6A	230V	Communication Type	NKB1-45 C/L6/06MTG	173543
45A	15kA	Power distribution	6A	230V	Leakage type & Communication Type	NKB1-45 C/L6/06MFTG	173544
45A	15kA	Power distribution	6A	230V	Firefighting type & Communication Type	NKB1-45 C/L6/06MLTG	173545
45A	15kA	Power distribution	6A	400V	Basic Type	NKB1-45 C/L6/06QG	173534
45A	15kA	Power distribution	6A	400V	Firefighting type	NKB1-45 C/L6/06QFG	173535
45A	15kA	Power distribution	6A	400V	Leakage type	NKB1-45 C/L6/06QLG	173536
45A	15kA	Power distribution	6A	400V	Communication Type	NKB1-45 C/L6/06Q TG	173537

Frame Size Inm	Breaking Capacity	Protection Type	Ie	Coil Voltage	Function	Model Description	Code
45A	15kA	Power distribution	6A	400V	Firefighting type & Communication Type	NKB1-45 C/L6/06QFTG	173538
45A	15kA	Power distribution	6A	400V	Leakage type & Communication Type	NKB1-45 C/L6/06QLTG	173539
45A	15kA	Power distribution	12A	230V	Basic Type	NKB1-45 C/L12/06MG	173552
45A	15kA	Power distribution	12A	230V	Firefighting type	NKB1-45 C/L12/06MFG	173553
45A	15kA	Power distribution	12A	230V	Leakage type	NKB1-45 C/L12/06MLG	173554
45A	15kA	Power distribution	12A	230V	Communication Type	NKB1-45 C/L12/06MTG	173555
45A	15kA	Power distribution	12A	230V	Firefighting type & Communication Type	NKB1-45 C/L12/06MFTG	173556
45A	15kA	Power distribution	12A	230V	Leakage type & Communication Type	NKB1-45 C/L12/06MLTG	173557
45A	15kA	Power distribution	12A	400V	Basic Type	NKB1-45 C/L12/06QG	173546
45A	15kA	Power distribution	12A	400V	Firefighting type	NKB1-45 C/L12/06QFG	173547
45A	15kA	Power distribution	12A	400V	Leakage type	NKB1-45 C/L12/06QLG	173548
45A	15kA	Power distribution	12A	400V	Communication Type	NKB1-45 C/L12/06QTG	173549
45A	15kA	Power distribution	12A	400V	Firefighting type & Communication Type	NKB1-45 C/L12/06QFTG	173550
45A	15kA	Power distribution	12A	400V	Leakage type & Communication Type	NKB1-45 C/L12/06QLTG	173551
45A	15kA	Power distribution	16A	230V	Basic Type	NKB1-45 C/L16/06MG	173564
45A	15kA	Power distribution	16A	230V	Firefighting type	NKB1-45 C/L16/06MFG	173565
45A	15kA	Power distribution	16A	230V	Leakage type	NKB1-45 C/L16/06MLG	173566
45A	15kA	Power distribution	16A	230V	Communication Type	NKB1-45 C/L16/06MTG	173567
45A	15kA	Power distribution	16A	230V	Firefighting type & Communication Type	NKB1-45 C/L16/06MFTG	173568
45A	15kA	Power distribution	16A	230V	Leakage type & Communication Type	NKB1-45 C/L16/06MLTG	173569
45A	15kA	Power distribution	16A	400V	Basic Type	NKB1-45 C/L16/06QG	173558
45A	15kA	Power distribution	16A	400V	Firefighting type	NKB1-45 C/L16/06QFG	173559
45A	15kA	Power distribution	16A	400V	Leakage type	NKB1-45 C/L16/06QLG	173560
45A	15kA	Power distribution	16A	400V	Communication Type	NKB1-45 C/L16/06QTG	173561
45A	15kA	Power distribution	16A	400V	Firefighting type & Communication Type	NKB1-45 C/L16/06QFTG	173562
45A	15kA	Power distribution	16A	400V	Leakage type & Communication Type	NKB1-45 C/L16/06QLTG	173563
45A	15kA	Power distribution	25A	230V	Basic Type	NKB1-45 C/L25/06MG	173576
45A	15kA	Power distribution	25A	230V	Firefighting type	NKB1-45 C/L25/06MFG	173577
45A	15kA	Power distribution	25A	230V	Leakage type	NKB1-45 C/L25/06MLG	173578
45A	15kA	Power distribution	25A	230V	Communication Type	NKB1-45 C/L25/06MTG	173579
45A	15kA	Power distribution	25A	230V	Firefighting type & Communication Type	NKB1-45 C/L25/06MFTG	173580
45A	15kA	Power distribution	25A	230V	Leakage type & Communication Type	NKB1-45 C/L25/06MLTG	173581
45A	15kA	Power distribution	25A	400V	Basic Type	NKB1-45 C/L25/06QG	173570
45A	15kA	Power distribution	25A	400V	Firefighting type	NKB1-45 C/L25/06QFG	173571

Frame Size Inm	Breaking Capacity	Protection Type	Ie	Coil Voltage	Function	Model Description	Code
45A	15kA	Power distribution	25A	400V	Leakage type	NKB1-45 C/L25/06QLG	173572
45A	15kA	Power distribution	25A	400V	Communication Type	NKB1-45 C/L25/06QTG	173573
45A	15kA	Power distribution	25A	400V	Firefighting type & Communication Type	NKB1-45 C/L25/06QFTG	173574
45A	15kA	Power distribution	25A	400V	Leakage type & Communication Type	NKB1-45 C/L25/06QLTG	173575
45A	15kA	Power distribution	32A	230V	Basic Type	NKB1-45 C/L32/06MG	173588
45A	15kA	Power distribution	32A	230V	Firefighting type	NKB1-45 C/L32/06MFG	173589
45A	15kA	Power distribution	32A	230V	Leakage type	NKB1-45 C/L32/06MLG	173590
45A	15kA	Power distribution	32A	230V	Communication Type	NKB1-45 C/L32/06MTG	173591
45A	15kA	Power distribution	32A	230V	Firefighting type & Communication Type	NKB1-45 C/L32/06MFTG	173592
45A	15kA	Power distribution	32A	230V	Leakage type & Communication Type	NKB1-45 C/L32/06MLTG	173593
45A	15kA	Power distribution	32A	400V	Basic Type	NKB1-45 C/L32/06QG	173582
45A	15kA	Power distribution	32A	400V	Firefighting type	NKB1-45 C/L32/06QFG	173583
45A	15kA	Power distribution	32A	400V	Leakage type	NKB1-45 C/L32/06QLG	173584
45A	15kA	Power distribution	32A	400V	Communication Type	NKB1-45 C/L32/06QTG	173585
45A	15kA	Power distribution	32A	400V	Firefighting type & Communication Type	NKB1-45 C/L32/06QFTG	173586
45A	15kA	Power distribution	32A	400V	Leakage type & Communication Type	NKB1-45 C/L32/06QLTG	173587
45A	15kA	Power distribution	45A	230V	Basic Type	NKB1-45 C/L45/06MG	173600
45A	15kA	Power distribution	45A	230V	Firefighting type	NKB1-45 C/L45/06MFG	173601
45A	15kA	Power distribution	45A	230V	Leakage type	NKB1-45 C/L45/06MLG	173602
45A	15kA	Power distribution	45A	230V	Communication Type	NKB1-45 C/L45/06MTG	173603
45A	15kA	Power distribution	45A	230V	Firefighting type & Communication Type	NKB1-45 C/L45/06MFTG	173604
45A	15kA	Power distribution	45A	230V	Leakage type & Communication Type	NKB1-45 C/L45/06MLTG	173605
45A	15kA	Power distribution	45A	400V	Basic Type	NKB1-45 C/L45/06QG	173594
45A	15kA	Power distribution	45A	400V	Firefighting type	NKB1-45 C/L45/06QFG	173595
45A	15kA	Power distribution	45A	400V	Leakage type	NKB1-45 C/L45/06QLG	173596
45A	15kA	Power distribution	45A	400V	Communication Type	NKB1-45 C/L45/06QTG	173597
45A	15kA	Power distribution	45A	400V	Firefighting type & Communication Type	NKB1-45 C/L45/06QFTG	173598
45A	15kA	Power distribution	45A	400V	Leakage type & Communication Type	NKB1-45 C/L45/06QLTG	173599
45A	15kA	Motor protection	1A	230V	Basic Type	NKB1-45 C/M1/06MG	173420
45A	15kA	Motor protection	1A	230V	Firefighting type	NKB1-45 C/M1/06MFG	173421
45A	15kA	Motor protection	1A	230V	Leakage type	NKB1-45 C/M1/06MLG	173422
45A	15kA	Motor protection	1A	230V	Communication Type	NKB1-45 C/M1/06MTG	173423
45A	15kA	Motor protection	1A	230V	Firefighting type & Communication Type	NKB1-45 C/M1/06MFTG	173424
45A	15kA	Motor protection	1A	230V	Leakage type & Communication Type	NKB1-45 C/M1/06MLTG	173425

Frame Size Inm	Breaking Capacity	Protection Type	Ie	Coil Voltage	Function	Model Description	Code
45A	15kA	Motor protection	1A	400V	Basic Type	NKB1-45 C/M1/06QG	173414
45A	15kA	Motor protection	1A	400V	Firefighting type	NKB1-45 C/M1/06QFG	173415
45A	15kA	Motor protection	1A	400V	Leakage type	NKB1-45 C/M1/06QLG	173416
45A	15kA	Motor protection	1A	400V	Communication Type	NKB1-45 C/M1/06QTG	173417
45A	15kA	Motor protection	1A	400V	Firefighting type & Communication Type	NKB1-45 C/M1/06QFTG	173418
45A	15kA	Motor protection	1A	400V	Leakage type & Communication Type	NKB1-45 C/M1/06QLTG	173419
45A	15kA	Motor protection	3A	230V	Basic Type	NKB1-45 C/M3/06MG	173432
45A	15kA	Motor protection	3A	230V	Firefighting type	NKB1-45 C/M3/06MFG	173433
45A	15kA	Motor protection	3A	230V	Leakage type	NKB1-45 C/M3/06MLG	173434
45A	15kA	Motor protection	3A	230V	Communication Type	NKB1-45 C/M3/06MTG	173435
45A	15kA	Motor protection	3A	230V	Firefighting type & Communication Type	NKB1-45 C/M3/06MFTG	173436
45A	15kA	Motor protection	3A	230V	Leakage type & Communication Type	NKB1-45 C/M3/06MLTG	173437
45A	15kA	Motor protection	3A	400V	Basic Type	NKB1-45 C/M3/06QG	173426
45A	15kA	Motor protection	3A	400V	Firefighting type	NKB1-45 C/M3/06QFG	173427
45A	15kA	Motor protection	3A	400V	Leakage type	NKB1-45 C/M3/06QLG	173428
45A	15kA	Motor protection	3A	400V	Communication Type	NKB1-45 C/M3/06QTG	173429
45A	15kA	Motor protection	3A	400V	Firefighting type & Communication Type	NKB1-45 C/M3/06QFTG	173430
45A	15kA	Motor protection	3A	400V	Leakage type & Communication Type	NKB1-45 C/M3/06QLTG	173431
45A	15kA	Motor protection	6A	230V	Basic Type	NKB1-45 C/M6/06MG	173444
45A	15kA	Motor protection	6A	230V	Firefighting type	NKB1-45 C/M6/06MFG	173445
45A	15kA	Motor protection	6A	230V	Leakage type	NKB1-45 C/M6/06MLG	173446
45A	15kA	Motor protection	6A	230V	Communication Type	NKB1-45 C/M6/06MTG	173447
45A	15kA	Motor protection	6A	230V	Firefighting type & Communication Type	NKB1-45 C/M6/06MFTG	173448
45A	15kA	Motor protection	6A	230V	Leakage type & Communication Type	NKB1-45 C/M6/06MLTG	173449
45A	15kA	Motor protection	6A	400V	Basic Type	NKB1-45 C/M6/06QG	173438
45A	15kA	Motor protection	6A	400V	Firefighting type	NKB1-45 C/M6/06QFG	173439
45A	15kA	Motor protection	6A	400V	Leakage type	NKB1-45 C/M6/06QLG	173440
45A	15kA	Motor protection	6A	400V	Communication Type	NKB1-45 C/M6/06QTG	173441
45A	15kA	Motor protection	6A	400V	Firefighting type & Communication Type	NKB1-45 C/M6/06QFTG	173442
45A	15kA	Motor protection	6A	400V	Leakage type & Communication Type	NKB1-45 C/M6/06QLTG	173443
45A	15kA	Motor protection	12A	230V	Basic Type	NKB1-45 C/M12/06MG	173456
45A	15kA	Motor protection	12A	230V	Firefighting type	NKB1-45 C/M12/06MFG	173457
45A	15kA	Motor protection	12A	230V	Leakage type	NKB1-45 C/M12/06MLG	173458
45A	15kA	Motor protection	12A	230V	Communication Type	NKB1-45 C/M12/06MTG	173459

Frame Size Inm	Breaking Capacity	Protection Type	Ie	Coil Voltage	Function	Model Description	Code
45A	15kA	Motor protection	12A	230V	Firefighting type & Communication Type	NKB1-45 C/M12/06MFTG	173460
45A	15kA	Motor protection	12A	230V	Leakage type & Communication Type	NKB1-45 C/M12/06MLTG	173461
45A	15kA	Motor protection	12A	400V	Basic Type	NKB1-45 C/M12/06QGG	173450
45A	15kA	Motor protection	12A	400V	Firefighting type	NKB1-45 C/M12/06QFG	173451
45A	15kA	Motor protection	12A	400V	Leakage type	NKB1-45 C/M12/06QLG	173452
45A	15kA	Motor protection	12A	400V	Communication Type	NKB1-45 C/M12/06QTG	173453
45A	15kA	Motor protection	12A	400V	Firefighting type & Communication Type	NKB1-45 C/M12/06QFTG	173454
45A	15kA	Motor protection	12A	400V	Leakage type & Communication Type	NKB1-45 C/M12/06QLTG	173455
45A	15kA	Motor protection	16A	230V	Basic Type	NKB1-45 C/M16/06MG	173468
45A	15kA	Motor protection	16A	230V	Firefighting type	NKB1-45 C/M16/06MFG	173469
45A	15kA	Motor protection	16A	230V	Leakage type	NKB1-45 C/M16/06MLG	173470
45A	15kA	Motor protection	16A	230V	Communication Type	NKB1-45 C/M16/06MTG	173471
45A	15kA	Motor protection	16A	230V	Firefighting type & Communication Type	NKB1-45 C/M16/06MFTG	173472
45A	15kA	Motor protection	16A	230V	Leakage type & Communication Type	NKB1-45 C/M16/06MLTG	173473
45A	15kA	Motor protection	16A	400V	Basic Type	NKB1-45 C/M16/06QGG	173462
45A	15kA	Motor protection	16A	400V	Firefighting type	NKB1-45 C/M16/06QFG	173463
45A	15kA	Motor protection	16A	400V	Leakage type	NKB1-45 C/M16/06QLG	173464
45A	15kA	Motor protection	16A	400V	Communication Type	NKB1-45 C/M16/06QTG	173465
45A	15kA	Motor protection	16A	400V	Firefighting type & Communication Type	NKB1-45 C/M16/06QFTG	173466
45A	15kA	Motor protection	16A	400V	Leakage type & Communication Type	NKB1-45 C/M16/06QLTG	173467
45A	15kA	Motor protection	25A	230V	Basic Type	NKB1-45 C/M25/06MG	173480
45A	15kA	Motor protection	25A	230V	Firefighting type	NKB1-45 C/M25/06MFG	173481
45A	15kA	Motor protection	25A	230V	Leakage type	NKB1-45 C/M25/06MLG	173482
45A	15kA	Motor protection	25A	230V	Communication Type	NKB1-45 C/M25/06MTG	173483
45A	15kA	Motor protection	25A	230V	Firefighting type & Communication Type	NKB1-45 C/M25/06MFTG	173484
45A	15kA	Motor protection	25A	230V	Leakage type & Communication Type	NKB1-45 C/M25/06MLTG	173485
45A	15kA	Motor protection	25A	400V	Basic Type	NKB1-45 C/M25/06QGG	173474
45A	15kA	Motor protection	25A	400V	Firefighting type	NKB1-45 C/M25/06QFG	173475
45A	15kA	Motor protection	25A	400V	Leakage type	NKB1-45 C/M25/06QLG	173476
45A	15kA	Motor protection	25A	400V	Communication Type	NKB1-45 C/M25/06QTG	173477
45A	15kA	Motor protection	25A	400V	Firefighting type & Communication Type	NKB1-45 C/M25/06QFTG	173478
45A	15kA	Motor protection	25A	400V	Leakage type & Communication Type	NKB1-45 C/M25/06QLTG	173479
45A	15kA	Motor protection	32A	230V	Basic Type	NKB1-45 C/M32/06MG	173492
45A	15kA	Motor protection	32A	230V	Firefighting type	NKB1-45 C/M32/06MFG	173493

Frame Size Inm	Breaking Capacity	Protection Type	Ie	Coil Voltage	Function	Model Description	Code
45A	15kA	Motor protection	32A	230V	Leakage type	NKB1-45 C/M32/06MLG	173494
45A	15kA	Motor protection	32A	230V	Communication Type	NKB1-45 C/M32/06MTG	173495
45A	15kA	Motor protection	32A	230V	Firefighting type & Communication Type	NKB1-45 C/M32/06MFTG	173496
45A	15kA	Motor protection	32A	230V	Leakage type & Communication Type	NKB1-45 C/M32/06MLTG	173497
45A	15kA	Motor protection	32A	400V	Basic Type	NKB1-45 C/M32/06QG	173486
45A	15kA	Motor protection	32A	400V	Firefighting type	NKB1-45 C/M32/06QFG	173487
45A	15kA	Motor protection	32A	400V	Leakage type	NKB1-45 C/M32/06QLG	173488
45A	15kA	Motor protection	32A	400V	Communication Type	NKB1-45 C/M32/06QTG	173489
45A	15kA	Motor protection	32A	400V	Firefighting type & Communication Type	NKB1-45 C/M32/06QFTG	173490
45A	15kA	Motor protection	32A	400V	Leakage type & Communication Type	NKB1-45 C/M32/06QLTG	173491
45A	15kA	Motor protection	45A	230V	Basic Type	NKB1-45 C/M45/06MG	173504
45A	15kA	Motor protection	45A	230V	Firefighting type	NKB1-45 C/M45/06MFG	173505
45A	15kA	Motor protection	45A	230V	Leakage type	NKB1-45 C/M45/06MLG	173506
45A	15kA	Motor protection	45A	230V	Communication Type	NKB1-45 C/M45/06MTG	173507
45A	15kA	Motor protection	45A	230V	Firefighting type & Communication Type	NKB1-45 C/M45/06MFTG	173508
45A	15kA	Motor protection	45A	230V	Leakage type & Communication Type	NKB1-45 C/M45/06MLTG	173509
45A	15kA	Motor protection	45A	400V	Basic Type	NKB1-45 C/M45/06QG	173498
45A	15kA	Motor protection	45A	400V	Firefighting type	NKB1-45 C/M45/06QFG	173499
45A	15kA	Motor protection	45A	400V	Leakage type	NKB1-45 C/M45/06QLG	173500
45A	15kA	Motor protection	45A	400V	Communication Type	NKB1-45 C/M45/06QTG	173501
45A	15kA	Motor protection	45A	400V	Firefighting type & Communication Type	NKB1-45 C/M45/06QFTG	173502
45A	15kA	Motor protection	45A	400V	Leakage type & Communication Type	NKB1-45 C/M45/06QLTG	173503
45A	35kA	Power distribution	1A	230V	Basic Type	NKB1-45 Y/L1/06MG	173708
45A	35kA	Power distribution	1A	230V	Firefighting type	NKB1-45 Y/L1/06MFG	173709
45A	35kA	Power distribution	1A	230V	Leakage type	NKB1-45 Y/L1/06MLG	173710
45A	35kA	Power distribution	1A	230V	Communication Type	NKB1-45 Y/L1/06MTG	173711
45A	35kA	Power distribution	1A	230V	Firefighting type & Communication Type	NKB1-45 Y/L1/06MFTG	173712
45A	35kA	Power distribution	1A	230V	Leakage type & Communication Type	NKB1-45 Y/L1/06MLTG	173713
45A	35kA	Power distribution	1A	400V	Basic Type	NKB1-45 Y/L1/06QG	173702
45A	35kA	Power distribution	1A	400V	Firefighting type	NKB1-45 Y/L1/06QFG	173703
45A	35kA	Power distribution	1A	400V	Leakage type	NKB1-45 Y/L1/06QLG	173704
45A	35kA	Power distribution	1A	400V	Communication Type	NKB1-45 Y/L1/06QTG	173705
45A	35kA	Power distribution	1A	400V	Leakage type & Communication Type	NKB1-45 Y/L1/06QFTG	173706
45A	35kA	Power distribution	1A	400V	Firefighting type & Communication Type	NKB1-45 Y/L1/06QLTG	173707

Frame Size Inm	Breaking Capacity	Protection Type	Ie	Coil Voltage	Function	Model Description	Code
45A	35kA	Power distribution	3A	230V	Basic Type	NKB1-45 Y/L3/06MG	173720
45A	35kA	Power distribution	3A	230V	Firefighting type	NKB1-45 Y/L3/06MFG	173721
45A	35kA	Power distribution	3A	230V	Leakage type	NKB1-45 Y/L3/06MLG	173722
45A	35kA	Power distribution	3A	230V	Communication Type	NKB1-45 Y/L3/06MTG	173723
45A	35kA	Power distribution	3A	230V	Firefighting type & Communication Type	NKB1-45 Y/L3/06MFTG	173724
45A	35kA	Power distribution	3A	230V	Leakage type & Communication Type	NKB1-45 Y/L3/06MLTG	173725
45A	35kA	Power distribution	3A	400V	Basic Type	NKB1-45 Y/L3/06QG	173714
45A	35kA	Power distribution	3A	400V	Firefighting type	NKB1-45 Y/L3/06QFG	173715
45A	35kA	Power distribution	3A	400V	Leakage type	NKB1-45 Y/L3/06QLG	173716
45A	35kA	Power distribution	3A	400V	Communication Type	NKB1-45 Y/L3/06QTG	173717
45A	35kA	Power distribution	3A	400V	Firefighting type & Communication Type	NKB1-45 Y/L3/06QFTG	173718
45A	35kA	Power distribution	3A	400V	Leakage type & Communication Type	NKB1-45 Y/L3/06QLTG	173719
45A	35kA	Power distribution	6A	230V	Basic Type	NKB1-45 Y/L6/06MG	173732
45A	35kA	Power distribution	6A	230V	Firefighting type	NKB1-45 Y/L6/06MFG	173733
45A	35kA	Power distribution	6A	230V	Leakage type	NKB1-45 Y/L6/06MLG	173734
45A	35kA	Power distribution	6A	230V	Communication Type	NKB1-45 Y/L6/06MTG	173735
45A	35kA	Power distribution	6A	230V	Firefighting type & Communication Type	NKB1-45 Y/L6/06MFTG	173736
45A	35kA	Power distribution	6A	230V	Leakage type & Communication Type	NKB1-45 Y/L6/06MLTG	173737
45A	35kA	Power distribution	6A	400V	Basic Type	NKB1-45 Y/L6/06QG	173726
45A	35kA	Power distribution	6A	400V	Firefighting type	NKB1-45 Y/L6/06QFG	173727
45A	35kA	Power distribution	6A	400V	Leakage type	NKB1-45 Y/L6/06QLG	173728
45A	35kA	Power distribution	6A	400V	Communication Type	NKB1-45 Y/L6/06QTG	173729
45A	35kA	Power distribution	6A	400V	Firefighting type & Communication Type	NKB1-45 Y/L6/06QFTG	173730
45A	35kA	Power distribution	6A	400V	Leakage type & Communication Type	NKB1-45 Y/L6/06QLTG	173731
45A	35kA	Power distribution	12A	230V	Basic Type	NKB1-45 Y/L12/06MG	173744
45A	35kA	Power distribution	12A	230V	Firefighting type	NKB1-45 Y/L12/06MFG	173745
45A	35kA	Power distribution	12A	230V	Leakage type	NKB1-45 Y/L12/06MLG	173746
45A	35kA	Power distribution	12A	230V	Communication Type	NKB1-45 Y/L12/06MTG	173747
45A	35kA	Power distribution	12A	230V	Firefighting type & Communication Type	NKB1-45 Y/L12/06MFTG	173748
45A	35kA	Power distribution	12A	230V	Leakage type & Communication Type	NKB1-45 Y/L12/06MLTG	173749
45A	35kA	Power distribution	12A	400V	Basic Type	NKB1-45 Y/L12/06QG	173738
45A	35kA	Power distribution	12A	400V	Firefighting type	NKB1-45 Y/L12/06QFG	173739
45A	35kA	Power distribution	12A	400V	Leakage type	NKB1-45 Y/L12/06QLG	173740
45A	35kA	Power distribution	12A	400V	Communication Type	NKB1-45 Y/L12/06QTG	173741

Frame Size Inm	Breaking Capacity	Protection Type	Ie	Coil Voltage	Function	Model Description	Code
45A	35kA	Power distribution	12A	400V	Firefighting type & Communication Type	NKB1-45 Y/L12/06QFTG	173742
45A	35kA	Power distribution	12A	400V	Leakage type & Communication Type	NKB1-45 Y/L12/06QLTG	173743
45A	35kA	Power distribution	16A	230V	Basic Type	NKB1-45 Y/L16/06MG	173756
45A	35kA	Power distribution	16A	230V	Firefighting type	NKB1-45 Y/L16/06MFG	173757
45A	35kA	Power distribution	16A	230V	Leakage type	NKB1-45 Y/L16/06MLG	173758
45A	35kA	Power distribution	16A	230V	Communication Type	NKB1-45 Y/L16/06MTG	173759
45A	35kA	Power distribution	16A	230V	Firefighting type & Communication Type	NKB1-45 Y/L16/06MFTG	173760
45A	35kA	Power distribution	16A	230V	Leakage type & Communication Type	NKB1-45 Y/L16/06MLTG	173761
45A	35kA	Power distribution	16A	400V	Basic Type	NKB1-45 Y/L16/06QG	173750
45A	35kA	Power distribution	16A	400V	Firefighting type	NKB1-45 Y/L16/06QFG	173751
45A	35kA	Power distribution	16A	400V	Leakage type	NKB1-45 Y/L16/06QLG	173752
45A	35kA	Power distribution	16A	400V	Communication Type	NKB1-45 Y/L16/06QTG	173753
45A	35kA	Power distribution	16A	400V	Firefighting type & Communication Type	NKB1-45 Y/L16/06QFTG	173754
45A	35kA	Power distribution	16A	400V	Leakage type & Communication Type	NKB1-45 Y/L16/06QLTG	173755
45A	35kA	Power distribution	25A	230V	Basic Type	NKB1-45 Y/L25/06MG	173768
45A	35kA	Power distribution	25A	230V	Firefighting type	NKB1-45 Y/L25/06MFG	173769
45A	35kA	Power distribution	25A	230V	Leakage type	NKB1-45 Y/L25/06MLG	173770
45A	35kA	Power distribution	25A	230V	Communication Type	NKB1-45 Y/L25/06MTG	173771
45A	35kA	Power distribution	25A	230V	Firefighting type & Communication Type	NKB1-45 Y/L25/06MFTG	173772
45A	35kA	Power distribution	25A	230V	Leakage type & Communication Type	NKB1-45 Y/L25/06MLTG	173773
45A	35kA	Power distribution	25A	400V	Basic Type	NKB1-45 Y/L25/06QG	173762
45A	35kA	Power distribution	25A	400V	Firefighting type	NKB1-45 Y/L25/06QFG	173763
45A	35kA	Power distribution	25A	400V	Leakage type	NKB1-45 Y/L25/06QLG	173764
45A	35kA	Power distribution	25A	400V	Communication Type	NKB1-45 Y/L25/06QTG	173765
45A	35kA	Power distribution	25A	400V	Firefighting type & Communication Type	NKB1-45 Y/L25/06QFTG	173766
45A	35kA	Power distribution	25A	400V	Leakage type & Communication Type	NKB1-45 Y/L25/06QLTG	173767
45A	35kA	Power distribution	32A	230V	Basic Type	NKB1-45 Y/L32/06MG	173780
45A	35kA	Power distribution	32A	230V	Firefighting type	NKB1-45 Y/L32/06MFG	173781
45A	35kA	Power distribution	32A	230V	Leakage type	NKB1-45 Y/L32/06MLG	173782
45A	35kA	Power distribution	32A	230V	Communication Type	NKB1-45 Y/L32/06MTG	173783
45A	35kA	Power distribution	32A	230V	Firefighting type & Communication Type	NKB1-45 Y/L32/06MFTG	173784
45A	35kA	Power distribution	32A	230V	Leakage type & Communication Type	NKB1-45 Y/L32/06MLTG	173785
45A	35kA	Power distribution	32A	400V	Basic Type	NKB1-45 Y/L32/06QG	173774
45A	35kA	Power distribution	32A	400V	Firefighting type	NKB1-45 Y/L32/06QFG	173775

Frame Size Inm	Breaking Capacity	Protection Type	Ie	Coil Voltage	Function	Model Description	Code
45A	35kA	Power distribution	32A	400V	Leakage type	NKB1-45 Y/L32/06QLG	173776
45A	35kA	Power distribution	32A	400V	Communication Type	NKB1-45 Y/L32/06QTG	173777
45A	35kA	Power distribution	32A	400V	Firefighting type & Communication Type	NKB1-45 Y/L32/06QFTG	173778
45A	35kA	Power distribution	32A	400V	Leakage type & Communication Type	NKB1-45 Y/L32/06QLTG	173779
45A	35kA	Power distribution	45A	230V	Basic Type	NKB1-45 Y/L45/06MG	173792
45A	35kA	Power distribution	45A	230V	Firefighting type	NKB1-45 Y/L45/06MFG	173793
45A	35kA	Power distribution	45A	230V	Leakage type	NKB1-45 Y/L45/06MLG	173794
45A	35kA	Power distribution	45A	230V	Communication Type	NKB1-45 Y/L45/06MTG	173795
45A	35kA	Power distribution	45A	230V	Firefighting type & Communication Type	NKB1-45 Y/L45/06MFTG	173796
45A	35kA	Power distribution	45A	230V	Leakage type & Communication Type	NKB1-45 Y/L45/06MLTG	173797
45A	35kA	Power distribution	45A	400V	Basic Type	NKB1-45 Y/L45/06QG	173786
45A	35kA	Power distribution	45A	400V	Firefighting type	NKB1-45 Y/L45/06QFG	173787
45A	35kA	Power distribution	45A	400V	Leakage type	NKB1-45 Y/L45/06QLG	173788
45A	35kA	Power distribution	45A	400V	Communication Type	NKB1-45 Y/L45/06QTG	173789
45A	35kA	Power distribution	45A	400V	Firefighting type & Communication Type	NKB1-45 Y/L45/06QFTG	173790
45A	35kA	Power distribution	45A	400V	Leakage type & Communication Type	NKB1-45 Y/L45/06QLTG	173791
45A	35kA	Motor protection	1A	230V	Basic Type	NKB1-45 Y/M1/06MG	173612
45A	35kA	Motor protection	1A	230V	Firefighting type	NKB1-45 Y/M1/06MFG	173613
45A	35kA	Motor protection	1A	230V	Leakage type	NKB1-45 Y/M1/06MLG	173614
45A	35kA	Motor protection	1A	230V	Communication Type	NKB1-45 Y/M1/06MTG	173615
45A	35kA	Motor protection	1A	230V	Firefighting type & Communication Type	NKB1-45 Y/M1/06MFTG	173616
45A	35kA	Motor protection	1A	230V	Leakage type & Communication Type	NKB1-45 Y/M1/06MLTG	173617
45A	35kA	Motor protection	1A	400V	Basic Type	NKB1-45 Y/M1/06QG	173606
45A	35kA	Motor protection	1A	400V	Firefighting type	NKB1-45 Y/M1/06QFG	173607
45A	35kA	Motor protection	1A	400V	Leakage type	NKB1-45 Y/M1/06QLG	173608
45A	35kA	Motor protection	1A	400V	Communication Type	NKB1-45 Y/M1/06QTG	173609
45A	35kA	Motor protection	1A	400V	Firefighting type & Communication Type	NKB1-45 Y/M1/06QFTG	173610
45A	35kA	Motor protection	1A	400V	Leakage type & Communication Type	NKB1-45 Y/M1/06QLTG	173611
45A	35kA	Motor protection	3A	230V	Basic Type	NKB1-45 Y/M3/06MG	173624
45A	35kA	Motor protection	3A	230V	Firefighting type	NKB1-45 Y/M3/06MFG	173625
45A	35kA	Motor protection	3A	230V	Leakage type	NKB1-45 Y/M3/06MLG	173626
45A	35kA	Motor protection	3A	230V	Communication Type	NKB1-45 Y/M3/06MTG	173627
45A	35kA	Motor protection	3A	230V	Firefighting type & Communication Type	NKB1-45 Y/M3/06MFTG	173628
45A	35kA	Motor protection	3A	230V	Leakage type & Communication Type	NKB1-45 Y/M3/06MLTG	173629

Frame Size Inm	Breaking Capacity	Protection Type	Ie	Coil Voltage	Function	Model Description	Code
45A	35kA	Motor protection	3A	400V	Basic Type	NKB1-45 Y/M3/06QG	173618
45A	35kA	Motor protection	3A	400V	Firefighting type	NKB1-45 Y/M3/06QFG	173619
45A	35kA	Motor protection	3A	400V	Leakage type	NKB1-45 Y/M3/06QLG	173620
45A	35kA	Motor protection	3A	400V	Communication Type	NKB1-45 Y/M3/06QTG	173621
45A	35kA	Motor protection	3A	400V	Firefighting type & Communication Type	NKB1-45 Y/M3/06QFTG	173622
45A	35kA	Motor protection	3A	400V	Leakage type & Communication Type	NKB1-45 Y/M3/06QLTG	173623
45A	35kA	Motor protection	6A	230V	Basic Type	NKB1-45 Y/M6/06MG	173636
45A	35kA	Motor protection	6A	230V	Firefighting type	NKB1-45 Y/M6/06MFG	173637
45A	35kA	Motor protection	6A	230V	Leakage type	NKB1-45 Y/M6/06MLG	173638
45A	35kA	Motor protection	6A	230V	Communication Type	NKB1-45 Y/M6/06MTG	173639
45A	35kA	Motor protection	6A	230V	Firefighting type & Communication Type	NKB1-45 Y/M6/06MFTG	173640
45A	35kA	Motor protection	6A	230V	Leakage type & Communication Type	NKB1-45 Y/M6/06MLTG	173641
45A	35kA	Motor protection	6A	400V	Basic Type	NKB1-45 Y/M6/06QG	173630
45A	35kA	Motor protection	6A	400V	Firefighting type	NKB1-45 Y/M6/06QFG	173631
45A	35kA	Motor protection	6A	400V	Leakage type	NKB1-45 Y/M6/06QLG	173632
45A	35kA	Motor protection	6A	400V	Communication Type	NKB1-45 Y/M6/06QTG	173633
45A	35kA	Motor protection	6A	400V	Firefighting type & Communication Type	NKB1-45 Y/M6/06QFTG	173634
45A	35kA	Motor protection	6A	400V	Leakage type & Communication Type	NKB1-45 Y/M6/06QLTG	173635
45A	35kA	Motor protection	12A	230V	Basic Type	NKB1-45 Y/M12/06MG	173648
45A	35kA	Motor protection	12A	230V	Firefighting type	NKB1-45 Y/M12/06MFG	173649
45A	35kA	Motor protection	12A	230V	Leakage type	NKB1-45 Y/M12/06MLG	173650
45A	35kA	Motor protection	12A	230V	Communication Type	NKB1-45 Y/M12/06MTG	173651
45A	35kA	Motor protection	12A	230V	Firefighting type & Communication Type	NKB1-45 Y/M12/06MFTG	173652
45A	35kA	Motor protection	12A	230V	Leakage type & Communication Type	NKB1-45 Y/M12/06MLTG	173653
45A	35kA	Motor protection	12A	400V	Basic Type	NKB1-45 Y/M12/06QG	173642
45A	35kA	Motor protection	12A	400V	Firefighting type	NKB1-45 Y/M12/06QFG	173643
45A	35kA	Motor protection	12A	400V	Leakage type	NKB1-45 Y/M12/06QLG	173644
45A	35kA	Motor protection	12A	400V	Communication Type	NKB1-45 Y/M12/06QTG	173645
45A	35kA	Motor protection	12A	400V	Firefighting type & Communication Type	NKB1-45 Y/M12/06QFTG	173646
45A	35kA	Motor protection	12A	400V	Leakage type & Communication Type	NKB1-45 Y/M12/06QLTG	173647
45A	35kA	Motor protection	16A	230V	Basic Type	NKB1-45 Y/M16/06MG	173660
45A	35kA	Motor protection	16A	230V	Firefighting type	NKB1-45 Y/M16/06MFG	173661
45A	35kA	Motor protection	16A	230V	Leakage type	NKB1-45 Y/M16/06MLG	173662
45A	35kA	Motor protection	16A	230V	Communication Type	NKB1-45 Y/M16/06MTG	173663

Frame Size Inm	Breaking Capacity	Protection Type	Ie	Coil Voltage	Function	Model Description	Code
45A	35kA	Motor protection	16A	230V	Leakage type & Communication Type	NKB1-45 Y/M16/06MFTG	173664
45A	35kA	Motor protection	16A	230V	Firefighting type & Communication Type	NKB1-45 Y/M16/06MLTG	173665
45A	35kA	Motor protection	16A	400V	Basic Type	NKB1-45 Y/M16/06QG	173654
45A	35kA	Motor protection	16A	400V	Firefighting type	NKB1-45 Y/M16/06QFG	173655
45A	35kA	Motor protection	16A	400V	Leakage type	NKB1-45 Y/M16/06QLG	173656
45A	35kA	Motor protection	16A	400V	Communication Type	NKB1-45 Y/M16/06QTG	173657
45A	35kA	Motor protection	16A	400V	Firefighting type & Communication Type	NKB1-45 Y/M16/06QFTG	173658
45A	35kA	Motor protection	16A	400V	Leakage type & Communication Type	NKB1-45 Y/M16/06QLTG	173659
45A	35kA	Motor protection	25A	230V	Basic Type	NKB1-45 Y/M25/06MG	173672
45A	35kA	Motor protection	25A	230V	Firefighting type	NKB1-45 Y/M25/06MFG	173673
45A	35kA	Motor protection	25A	230V	Leakage type	NKB1-45 Y/M25/06MLG	173674
45A	35kA	Motor protection	25A	230V	Communication Type	NKB1-45 Y/M25/06MTG	173675
45A	35kA	Motor protection	25A	230V	Firefighting type & Communication Type	NKB1-45 Y/M25/06MFTG	173676
45A	35kA	Motor protection	25A	230V	Leakage type & Communication Type	NKB1-45 Y/M25/06MLTG	173677
45A	35kA	Motor protection	25A	400V	Basic Type	NKB1-45 Y/M25/06QG	173666
45A	35kA	Motor protection	25A	400V	Firefighting type	NKB1-45 Y/M25/06QFG	173667
45A	35kA	Motor protection	25A	400V	Leakage type	NKB1-45 Y/M25/06QLG	173668
45A	35kA	Motor protection	25A	400V	Communication Type	NKB1-45 Y/M25/06QTG	173669
45A	35kA	Motor protection	25A	400V	Firefighting type & Communication Type	NKB1-45 Y/M25/06QFTG	173670
45A	35kA	Motor protection	25A	400V	Leakage type & Communication Type	NKB1-45 Y/M25/06QLTG	173671
45A	35kA	Motor protection	32A	230V	Basic Type	NKB1-45 Y/M32/06MG	173684
45A	35kA	Motor protection	32A	230V	Firefighting type	NKB1-45 Y/M32/06MFG	173685
45A	35kA	Motor protection	32A	230V	Leakage type	NKB1-45 Y/M32/06MLG	173686
45A	35kA	Motor protection	32A	230V	Communication Type	NKB1-45 Y/M32/06MTG	173687
45A	35kA	Motor protection	32A	230V	Firefighting type & Communication Type	NKB1-45 Y/M32/06MFTG	173688
45A	35kA	Motor protection	32A	230V	Leakage type & Communication Type	NKB1-45 Y/M32/06MLTG	173689
45A	35kA	Motor protection	32A	400V	Basic Type	NKB1-45 Y/M32/06QG	173678
45A	35kA	Motor protection	32A	400V	Firefighting type	NKB1-45 Y/M32/06QFG	173679
45A	35kA	Motor protection	32A	400V	Leakage type	NKB1-45 Y/M32/06QLG	173680
45A	35kA	Motor protection	32A	400V	Communication Type	NKB1-45 Y/M32/06QTG	173681
45A	35kA	Motor protection	32A	400V	Firefighting type & Communication Type	NKB1-45 Y/M32/06QFTG	173682
45A	35kA	Motor protection	32A	400V	Leakage type & Communication Type	NKB1-45 Y/M32/06QLTG	173683
45A	35kA	Motor protection	45A	230V	Basic Type	NKB1-45 Y/M45/06MG	173696
45A	35kA	Motor protection	45A	230V	Firefighting type	NKB1-45 Y/M45/06MFG	173697

Frame Size Inm	Breaking Capacity	Protection Type	Ie	Coil Voltage	Function	Model Description	Code
45A	35kA	Motor protection	45A	230V	Leakage type	NKB1-45 Y/M45/06MLG	173698
45A	35kA	Motor protection	45A	230V	Communication Type	NKB1-45 Y/M45/06MTG	173699
45A	35kA	Motor protection	45A	230V	Firefighting type & Communication Type	NKB1-45 Y/M45/06MFTG	173700
45A	35kA	Motor protection	45A	230V	Leakage type & Communication Type	NKB1-45 Y/M45/06MLTG	173701
45A	35kA	Motor protection	45A	400V	Basic Type	NKB1-45 Y/M45/06QG	173690
45A	35kA	Motor protection	45A	400V	Firefighting type	NKB1-45 Y/M45/06QFG	173691
45A	35kA	Motor protection	45A	400V	Leakage type	NKB1-45 Y/M45/06QLG	173692
45A	35kA	Motor protection	45A	400V	Communication Type	NKB1-45 Y/M45/06QTG	173693
45A	35kA	Motor protection	45A	400V	Firefighting type & Communication Type	NKB1-45 Y/M45/06QFTG	173694
45A	35kA	Motor protection	45A	400V	Leakage type & Communication Type	NKB1-45 Y/M45/06QLTG	173695
125A	15kA	Power distribution	63A	230V	Basic Type	NKB1-125 C/L63/06MG	173852
125A	15kA	Power distribution	63A	230V	Firefighting type	NKB1-125 C/L63/06MFG	173853
125A	15kA	Power distribution	63A	230V	Leakage type	NKB1-125 C/L63/06MLG	173854
125A	15kA	Power distribution	63A	230V	Communication Type	NKB1-125 C/L63/06MTG	173855
125A	15kA	Power distribution	63A	230V	Firefighting type & Communication Type	NKB1-125 C/L63/06MFTG	173856
125A	15kA	Power distribution	63A	230V	Leakage type & Communication Type	NKB1-125 C/L63/06MLTG	173857
125A	15kA	Power distribution	63A	400V	Basic Type	NKB1-125 C/L63/06QG	173846
125A	15kA	Power distribution	63A	400V	Firefighting type	NKB1-125 C/L63/06QFG	173847
125A	15kA	Power distribution	63A	400V	Leakage type	NKB1-125 C/L63/06QLG	173848
125A	15kA	Power distribution	63A	400V	Communication Type	NKB1-125 C/L63/06QTG	173849
125A	15kA	Power distribution	63A	400V	Firefighting type & Communication Type	NKB1-125 C/L63/06QFTG	173850
125A	15kA	Power distribution	63A	400V	Leakage type & Communication Type	NKB1-125 C/L63/06QLTG	173851
125A	15kA	Power distribution	80A	230V	Basic Type	NKB1-125 C/L80/06MG	173864
125A	15kA	Power distribution	80A	230V	Firefighting type	NKB1-125 C/L80/06MFG	173865
125A	15kA	Power distribution	80A	230V	Leakage type	NKB1-125 C/L80/06MLG	173866
125A	15kA	Power distribution	80A	230V	Communication Type	NKB1-125 C/L80/06MTG	173867
125A	15kA	Power distribution	80A	230V	Firefighting type & Communication Type	NKB1-125 C/L80/06MFTG	173868
125A	15kA	Power distribution	80A	230V	Leakage type & Communication Type	NKB1-125 C/L80/06MLTG	173869
125A	15kA	Power distribution	80A	400V	Basic Type	NKB1-125 C/L80/06QG	173858
125A	15kA	Power distribution	80A	400V	Firefighting type	NKB1-125 C/L80/06QFG	173859
125A	15kA	Power distribution	80A	400V	Leakage type	NKB1-125 C/L80/06QLG	173860
125A	15kA	Power distribution	80A	400V	Communication Type	NKB1-125 C/L80/06QTG	173861
125A	15kA	Power distribution	80A	400V	Firefighting type & Communication Type	NKB1-125 C/L80/06QFTG	173862
125A	15kA	Power distribution	80A	400V	Leakage type & Communication Type	NKB1-125 C/L80/06QLTG	173863

Frame Size Inm	Breaking Capacity	Protection Type	Ie	Coil Voltage	Function	Model Description	Code
125A	15kA	Power distribution	100A	230V	Basic Type	NKB1-125 C/L100/06MG	173876
125A	15kA	Power distribution	100A	230V	Firefighting type	NKB1-125 C/L100/06MFG	173877
125A	15kA	Power distribution	100A	230V	Leakage type	NKB1-125 C/L100/06MLG	173878
125A	15kA	Power distribution	100A	230V	Communication Type	NKB1-125 C/L100/06MTG	173879
125A	15kA	Power distribution	100A	230V	Firefighting type & Communication Type	NKB1-125 C/L100/06MFTG	173880
125A	15kA	Power distribution	100A	230V	Leakage type & Communication Type	NKB1-125 C/L100/06MLTG	173881
125A	15kA	Power distribution	100A	400V	Basic Type	NKB1-125 C/L100/06QG	173870
125A	15kA	Power distribution	100A	400V	Firefighting type	NKB1-125 C/L100/06QFG	173871
125A	15kA	Power distribution	100A	400V	Leakage type	NKB1-125 C/L100/06QLG	173872
125A	15kA	Power distribution	100A	400V	Communication Type	NKB1-125 C/L100/06QTG	173873
125A	15kA	Power distribution	100A	400V	Firefighting type & Communication Type	NKB1-125 C/L100/06QFTG	173874
125A	15kA	Power distribution	100A	400V	Leakage type & Communication Type	NKB1-125 C/L100/06QLTG	173875
125A	15kA	Power distribution	125A	230V	Basic Type	NKB1-125 C/L125/06MG	173888
125A	15kA	Power distribution	125A	230V	Firefighting type	NKB1-125 C/L125/06MFG	173889
125A	15kA	Power distribution	125A	230V	Leakage type	NKB1-125 C/L125/06MLG	173890
125A	15kA	Power distribution	125A	230V	Communication Type	NKB1-125 C/L125/06MTG	173891
125A	15kA	Power distribution	125A	230V	Firefighting type & Communication Type	NKB1-125 C/L125/06MFTG	173892
125A	15kA	Power distribution	125A	230V	Leakage type & Communication Type	NKB1-125 C/L125/06MLTG	173893
125A	15kA	Power distribution	125A	400V	Basic Type	NKB1-125 C/L125/06QG	173882
125A	15kA	Power distribution	125A	400V	Firefighting type	NKB1-125 C/L125/06QFG	173883
125A	15kA	Power distribution	125A	400V	Leakage type	NKB1-125 C/L125/06QLG	173884
125A	15kA	Power distribution	125A	400V	Communication Type	NKB1-125 C/L125/06QTG	173885
125A	15kA	Power distribution	125A	400V	Firefighting type & Communication Type	NKB1-125 C/L125/06QFTG	173886
125A	15kA	Power distribution	125A	400V	Leakage type & Communication Type	NKB1-125 C/L125/06QLTG	173887
125A	15kA	Motor protection	63A	230V	Basic Type	NKB1-125 C/M63/06MG	173804
125A	15kA	Motor protection	63A	230V	Firefighting type	NKB1-125 C/M63/06MFG	173805
125A	15kA	Motor protection	63A	230V	Leakage type	NKB1-125 C/M63/06MLG	173806
125A	15kA	Motor protection	63A	230V	Communication Type	NKB1-125 C/M63/06MTG	173807
125A	15kA	Motor protection	63A	230V	Firefighting type & Communication Type	NKB1-125 C/M63/06MFTG	173808
125A	15kA	Motor protection	63A	230V	Leakage type & Communication Type	NKB1-125 C/M63/06MLTG	173809
125A	15kA	Motor protection	63A	400V	Basic Type	NKB1-125 C/M63/06QG	173798
125A	15kA	Motor protection	63A	400V	Firefighting type	NKB1-125 C/M63/06QFG	173799
125A	15kA	Motor protection	63A	400V	Leakage type	NKB1-125 C/M63/06QLG	173800
125A	15kA	Motor protection	63A	400V	Communication Type	NKB1-125 C/M63/06QTG	173801

Frame Size Inm	Breaking Capacity	Protection Type	Ie	Coil Voltage	Function	Model Description	Code
125A	15kA	Motor protection	63A	400V	Firefighting type & Communication Type	NKB1-125 C/M63/06QFTG	173802
125A	15kA	Motor protection	63A	400V	Leakage type & Communication Type	NKB1-125 C/M63/06QLTG	173803
125A	15kA	Motor protection	80A	230V	Basic Type	NKB1-125 C/M80/06MG	173816
125A	15kA	Motor protection	80A	230V	Firefighting type	NKB1-125 C/M80/06MFG	173817
125A	15kA	Motor protection	80A	230V	Leakage type	NKB1-125 C/M80/06MLG	173818
125A	15kA	Motor protection	80A	230V	Communication Type	NKB1-125 C/M80/06MTG	173819
125A	15kA	Motor protection	80A	230V	Firefighting type & Communication Type	NKB1-125 C/M80/06MFTG	173820
125A	15kA	Motor protection	80A	230V	Leakage type & Communication Type	NKB1-125 C/M80/06MLTG	173821
125A	15kA	Motor protection	80A	400V	Basic Type	NKB1-125 C/M80/06QG	173810
125A	15kA	Motor protection	80A	400V	Firefighting type	NKB1-125 C/M80/06QFG	173811
125A	15kA	Motor protection	80A	400V	Leakage type	NKB1-125 C/M80/06QLG	173812
125A	15kA	Motor protection	80A	400V	Communication Type	NKB1-125 C/M80/06QTG	173813
125A	15kA	Motor protection	80A	400V	Firefighting type & Communication Type	NKB1-125 C/M80/06QFTG	173814
125A	15kA	Motor protection	80A	400V	Leakage type & Communication Type	NKB1-125 C/M80/06QLTG	173815
125A	15kA	Motor protection	100A	230V	Basic Type	NKB1-125 C/M100/06MG	173828
125A	15kA	Motor protection	100A	230V	Firefighting type	NKB1-125 C/M100/06MFG	173829
125A	15kA	Motor protection	100A	230V	Leakage type	NKB1-125 C/M100/06MLG	173830
125A	15kA	Motor protection	100A	230V	Communication Type	NKB1-125 C/M100/06MTG	173831
125A	15kA	Motor protection	100A	230V	Firefighting type & Communication Type	NKB1-125 C/M100/06MFTG	173832
125A	15kA	Motor protection	100A	230V	Leakage type & Communication Type	NKB1-125 C/M100/06MLTG	173833
125A	15kA	Motor protection	100A	400V	Basic Type	NKB1-125 C/M100/06QG	173822
125A	15kA	Motor protection	100A	400V	Firefighting type	NKB1-125 C/M100/06QFG	173823
125A	15kA	Motor protection	100A	400V	Leakage type	NKB1-125 C/M100/06QLG	173824
125A	15kA	Motor protection	100A	400V	Communication Type	NKB1-125 C/M100/06QTG	173825
125A	15kA	Motor protection	100A	400V	Firefighting type & Communication Type	NKB1-125 C/M100/06QFTG	173826
125A	15kA	Motor protection	100A	400V	Leakage type & Communication Type	NKB1-125 C/M100/06QLTG	173827
125A	15kA	Motor protection	125A	230V	Basic Type	NKB1-125 C/M125/06MG	173840
125A	15kA	Motor protection	125A	230V	Firefighting type	NKB1-125 C/M125/06MFG	173841
125A	15kA	Motor protection	125A	230V	Leakage type	NKB1-125 C/M125/06MLG	173842
125A	15kA	Motor protection	125A	230V	Communication Type	NKB1-125 C/M125/06MTG	173843
125A	15kA	Motor protection	125A	230V	Firefighting type & Communication Type	NKB1-125 C/M125/06MFTG	173844
125A	15kA	Motor protection	125A	230V	Leakage type & Communication Type	NKB1-125 C/M125/06MLTG	173845
125A	15kA	Motor protection	125A	400V	Basic Type	NKB1-125 C/M125/06QG	173834
125A	15kA	Motor protection	125A	400V	Firefighting type	NKB1-125 C/M125/06QFG	173835

Frame Size Inm	Breaking Capacity	Protection Type	Ie	Coil Voltage	Function	Model Description	Code
125A	15kA	Motor protection	125A	400V	Leakage type	NKB1-125 C/M125/06QLG	173836
125A	15kA	Motor protection	125A	400V	Communication Type	NKB1-125 C/M125/06QTG	173837
125A	15kA	Motor protection	125A	400V	Firefighting type & Communication Type	NKB1-125 C/M125/06QFTG	173838
125A	15kA	Motor protection	125A	400V	Leakage type & Communication Type	NKB1-125 C/M125/06QLTG	173839
125A	35kA	Power distribution	63A	230V	Basic Type	NKB1-125 Y/L63/06MG	173948
125A	35kA	Power distribution	63A	230V	Firefighting type	NKB1-125 Y/L63/06MFG	173949
125A	35kA	Power distribution	63A	230V	Leakage type	NKB1-125 Y/L63/06MLG	173950
125A	35kA	Power distribution	63A	230V	Communication Type	NKB1-125 Y/L63/06MTG	173951
125A	35kA	Power distribution	63A	230V	Firefighting type & Communication Type	NKB1-125 Y/L63/06MFTG	173952
125A	35kA	Power distribution	63A	230V	Leakage type & Communication Type	NKB1-125 Y/L63/06MLTG	173953
125A	35kA	Power distribution	63A	400V	Basic Type	NKB1-125 Y/L63/06QG	173942
125A	35kA	Power distribution	63A	400V	Firefighting type	NKB1-125 Y/L63/06QFG	173943
125A	35kA	Power distribution	63A	400V	Leakage type	NKB1-125 Y/L63/06QLG	173944
125A	35kA	Power distribution	63A	400V	Communication Type	NKB1-125 Y/L63/06QTG	173945
125A	35kA	Power distribution	63A	400V	Firefighting type & Communication Type	NKB1-125 Y/L63/06QFTG	173946
125A	35kA	Power distribution	63A	400V	Leakage type & Communication Type	NKB1-125 Y/L63/06QLTG	173947
125A	35kA	Power distribution	80A	230V	Basic Type	NKB1-125 Y/L80/06MG	173960
125A	35kA	Power distribution	80A	230V	Firefighting type	NKB1-125 Y/L80/06MFG	173961
125A	35kA	Power distribution	80A	230V	Leakage type	NKB1-125 Y/L80/06MLG	173962
125A	35kA	Power distribution	80A	230V	Communication Type	NKB1-125 Y/L80/06MTG	173963
125A	35kA	Power distribution	80A	230V	Firefighting type & Communication Type	NKB1-125 Y/L80/06MFTG	173964
125A	35kA	Power distribution	80A	230V	Leakage type & Communication Type	NKB1-125 Y/L80/06MLTG	173965
125A	35kA	Power distribution	80A	400V	Basic Type	NKB1-125 Y/L80/06QG	173954
125A	35kA	Power distribution	80A	400V	Firefighting type	NKB1-125 Y/L80/06QFG	173955
125A	35kA	Power distribution	80A	400V	Leakage type	NKB1-125 Y/L80/06QLG	173956
125A	35kA	Power distribution	80A	400V	Communication Type	NKB1-125 Y/L80/06QTG	173957
125A	35kA	Power distribution	80A	400V	Firefighting type & Communication Type	NKB1-125 Y/L80/06QFTG	173958
125A	35kA	Power distribution	80A	400V	Leakage type & Communication Type	NKB1-125 Y/L80/06QLTG	173959
125A	35kA	Power distribution	100A	230V	Basic Type	NKB1-125 Y/L100/06MG	173972
125A	35kA	Power distribution	100A	230V	Firefighting type	NKB1-125 Y/L100/06MFG	173973
125A	35kA	Power distribution	100A	230V	Leakage type	NKB1-125 Y/L100/06MLG	173974
125A	35kA	Power distribution	100A	230V	Communication Type	NKB1-125 Y/L100/06MTG	173975
125A	35kA	Power distribution	100A	230V	Firefighting type & Communication Type	NKB1-125 Y/L100/06MFTG	173976
125A	35kA	Power distribution	100A	230V	Leakage type & Communication Type	NKB1-125 Y/L100/06MLTG	173977

Frame Size Inm	Breaking Capacity	Protection Type	Ie	Coil Voltage	Function	Model Description	Code
125A	35kA	Power distribution	100A	400V	Basic Type	NKB1-125 Y/L100/06QG	173966
125A	35kA	Power distribution	100A	400V	Firefighting type	NKB1-125 Y/L100/06QFG	173967
125A	35kA	Power distribution	100A	400V	Leakage type	NKB1-125 Y/L100/06QLG	173968
125A	35kA	Power distribution	100A	400V	Communication Type	NKB1-125 Y/L100/06QTG	173969
125A	35kA	Power distribution	100A	400V	Firefighting type & Communication Type	NKB1-125 Y/L100/06QFTG	173970
125A	35kA	Power distribution	100A	400V	Leakage type & Communication Type	NKB1-125 Y/L100/06QLTG	173971
125A	35kA	Power distribution	125A	230V	Basic Type	NKB1-125 Y/L125/06MG	173984
125A	35kA	Power distribution	125A	230V	Firefighting type	NKB1-125 Y/L125/06MFG	173985
125A	35kA	Power distribution	125A	230V	Leakage type	NKB1-125 Y/L125/06MLG	173986
125A	35kA	Power distribution	125A	230V	Communication Type	NKB1-125 Y/L125/06MTG	173987
125A	35kA	Power distribution	125A	230V	Firefighting type & Communication Type	NKB1-125 Y/L125/06MFTG	173988
125A	35kA	Power distribution	125A	230V	Leakage type & Communication Type	NKB1-125 Y/L125/06MLTG	173989
125A	35kA	Power distribution	125A	400V	Basic Type	NKB1-125 Y/L125/06QG	173978
125A	35kA	Power distribution	125A	400V	Firefighting type	NKB1-125 Y/L125/06QFG	173979
125A	35kA	Power distribution	125A	400V	Leakage type	NKB1-125 Y/L125/06QLG	173980
125A	35kA	Power distribution	125A	400V	Communication Type	NKB1-125 Y/L125/06QTG	173981
125A	35kA	Power distribution	125A	400V	Firefighting type & Communication Type	NKB1-125 Y/L125/06QFTG	173982
125A	35kA	Power distribution	125A	400V	Leakage type & Communication Type	NKB1-125 Y/L125/06QLTG	173983
125A	35kA	Motor protection	63A	230V	Basic Type	NKB1-125 Y/M63/06MG	173900
125A	35kA	Motor protection	63A	230V	Firefighting type	NKB1-125 Y/M63/06MFG	173901
125A	35kA	Motor protection	63A	230V	Leakage type	NKB1-125 Y/M63/06MLG	173902
125A	35kA	Motor protection	63A	230V	Communication Type	NKB1-125 Y/M63/06MTG	173903
125A	35kA	Motor protection	63A	230V	Firefighting type & Communication Type	NKB1-125 Y/M63/06MFTG	173904
125A	35kA	Motor protection	63A	230V	Leakage type & Communication Type	NKB1-125 Y/M63/06MLTG	173905
125A	35kA	Motor protection	63A	400V	Basic Type	NKB1-125 Y/M63/06QG	173894
125A	35kA	Motor protection	63A	400V	Firefighting type	NKB1-125 Y/M63/06QFG	173895
125A	35kA	Motor protection	63A	400V	Leakage type	NKB1-125 Y/M63/06QLG	173896
125A	35kA	Motor protection	63A	400V	Communication Type	NKB1-125 Y/M63/06QTG	173897
125A	35kA	Motor protection	63A	400V	Firefighting type & Communication Type	NKB1-125 Y/M63/06QFTG	173898
125A	35kA	Motor protection	63A	400V	Leakage type & Communication Type	NKB1-125 Y/M63/06QLTG	173899
125A	35kA	Motor protection	80A	230V	Basic Type	NKB1-125 Y/M80/06MG	173912
125A	35kA	Motor protection	80A	230V	Firefighting type	NKB1-125 Y/M80/06MFG	173913
125A	35kA	Motor protection	80A	230V	Leakage type	NKB1-125 Y/M80/06MLG	173914
125A	35kA	Motor protection	80A	230V	Communication Type	NKB1-125 Y/M80/06MTG	173915

Frame Size Inm	Breaking Capacity	Protection Type	Ie	Coil Voltage	Function	Model Description	Code
125A	35kA	Motor protection	80A	230V	Firefighting type & Communication Type	NKB1-125 Y/M80/06MFTG	173916
125A	35kA	Motor protection	80A	230V	Leakage type & Communication Type	NKB1-125 Y/M80/06MLTG	173917
125A	35kA	Motor protection	80A	400V	Basic Type	NKB1-125 Y/M80/06QG	173906
125A	35kA	Motor protection	80A	400V	Firefighting type	NKB1-125 Y/M80/06QFG	173907
125A	35kA	Motor protection	80A	400V	Leakage type	NKB1-125 Y/M80/06QLG	173908
125A	35kA	Motor protection	80A	400V	Communication Type	NKB1-125 Y/M80/06QTG	173909
125A	35kA	Motor protection	80A	400V	Firefighting type & Communication Type	NKB1-125 Y/M80/06QFTG	173910
125A	35kA	Motor protection	80A	400V	Leakage type & Communication Type	NKB1-125 Y/M80/06QLTG	173911
125A	35kA	Motor protection	100A	230V	Basic Type	NKB1-125 Y/M100/06MG	173924
125A	35kA	Motor protection	100A	230V	Firefighting type	NKB1-125 Y/M100/06MFG	173925
125A	35kA	Motor protection	100A	230V	Leakage type	NKB1-125 Y/M100/06MLG	173926
125A	35kA	Motor protection	100A	230V	Communication Type	NKB1-125 Y/M100/06MTG	173927
125A	35kA	Motor protection	100A	230V	Firefighting type & Communication Type	NKB1-125 Y/M100/06MFTG	173928
125A	35kA	Motor protection	100A	230V	Leakage type & Communication Type	NKB1-125 Y/M100/06MLTG	173929
125A	35kA	Motor protection	100A	400V	Basic Type	NKB1-125 Y/M100/06QG	173918
125A	35kA	Motor protection	100A	400V	Firefighting type	NKB1-125 Y/M100/06QFG	173919
125A	35kA	Motor protection	100A	400V	Leakage type	NKB1-125 Y/M100/06QLG	173920
125A	35kA	Motor protection	100A	400V	Communication Type	NKB1-125 Y/M100/06QTG	173921
125A	35kA	Motor protection	100A	400V	Firefighting type & Communication Type	NKB1-125 Y/M100/06QFTG	173922
125A	35kA	Motor protection	100A	400V	Leakage type & Communication Type	NKB1-125 Y/M100/06QLTG	173923
125A	35kA	Motor protection	125A	230V	Basic Type	NKB1-125 Y/M125/06MG	173936
125A	35kA	Motor protection	125A	230V	Firefighting type	NKB1-125 Y/M125/06MFG	173937
125A	35kA	Motor protection	125A	230V	Leakage type	NKB1-125 Y/M125/06MLG	173938
125A	35kA	Motor protection	125A	230V	Communication Type	NKB1-125 Y/M125/06MTG	173939
125A	35kA	Motor protection	125A	230V	Firefighting type & Communication Type	NKB1-125 Y/M125/06MFTG	173940
125A	35kA	Motor protection	125A	230V	Leakage type & Communication Type	NKB1-125 Y/M125/06MLTG	173941
125A	35kA	Motor protection	125A	400V	Basic Type	NKB1-125 Y/M125/06QG	173930
125A	35kA	Motor protection	125A	400V	Firefighting type	NKB1-125 Y/M125/06QFG	173931
125A	35kA	Motor protection	125A	400V	Leakage type	NKB1-125 Y/M125/06QLG	173932
125A	35kA	Motor protection	125A	400V	Communication Type	NKB1-125 Y/M125/06QTG	173933
125A	35kA	Motor protection	125A	400V	Leakage type & Communication Type	NKB1-125 Y/M125/06QFTG	173934
125A	35kA	Motor protection	125A	400V	Firefighting type & Communication Type	NKB1-125 Y/M125/06QLTG	173935