



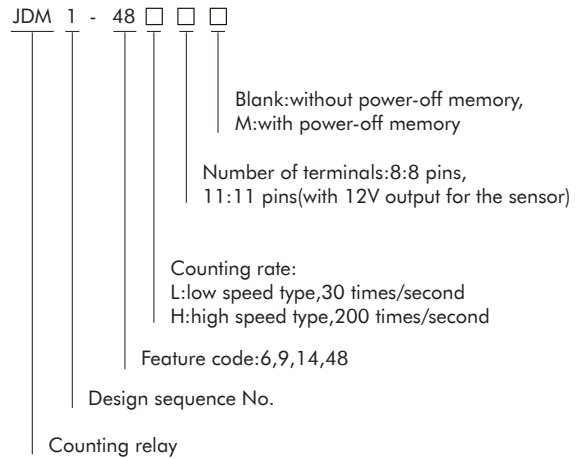
## JDM1-48 Counting Relay

### 1. General

JDM1-48 counting relay is mainly used for counting and counting control in the control circuit with AC frequency of 50Hz/60Hz, rated control power supply voltage up to 380V and DC rated control power supply voltage up to 240V.

Standards: IEC 60947-5-1.

### 2. Type designation

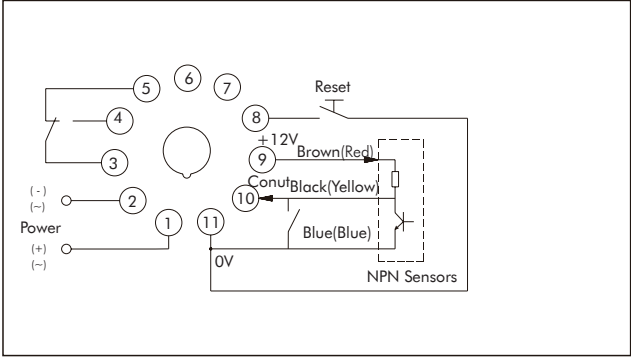
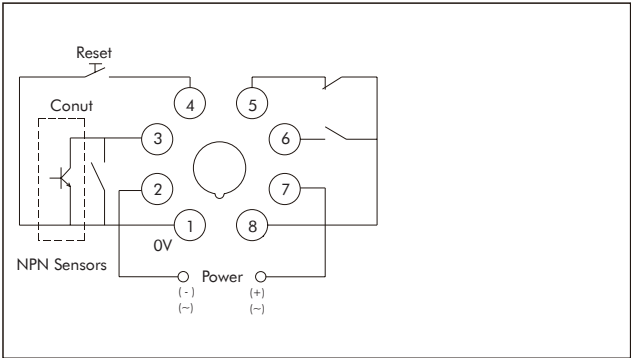


Note: Some models of this product apply to a wide range of operational voltage. For example, an operational voltage of AC/DC 24V~48V means that it can operate normally within the voltage range of AC or DC 24V to 48V.

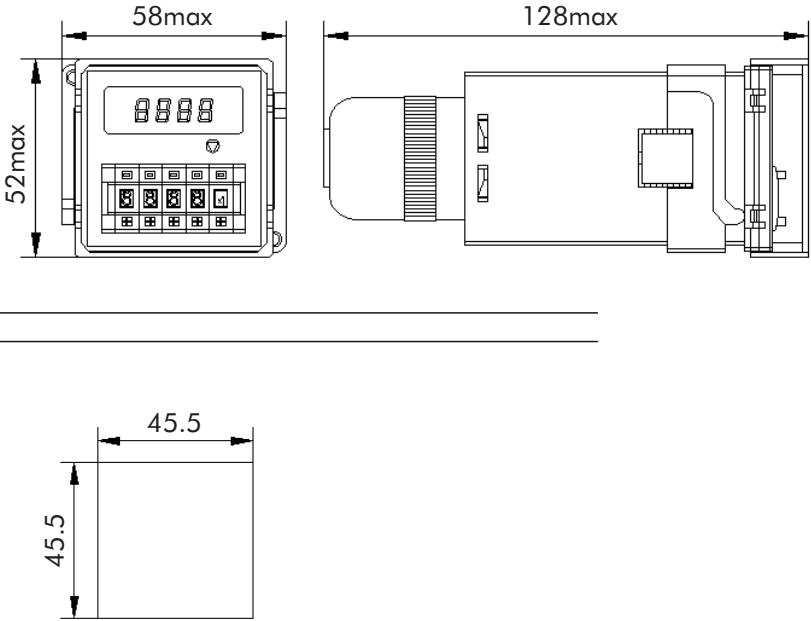
### 3. Technical data

Rated control supply voltage $U_s$ , frequency	AC/DC 24V~48V, AC/DC 100V~240V, AC 220V, AC 380V, 50Hz/60Hz
Allowable fluctuation range of rated control power supply voltage	85% $U_s$ ~110% $U_s$
Counting digit	4 digits
Counting mode	Add count
Input signal	Contact input, NPN sensor input, optocoupler input
External sensor power supply	12VDC, 30mA max
Output mode	N
Counting error	$\leq \pm 1$ time
Reset mode	Panel button reset, external terminal reset
Number of contacts	1 group of change-over
Contact capacity	$U_e/I_e$ : AC-15 220V/0.75A, 380V/0.47A; DC-13 220V/0.27, $I_{th}$ : 3A
Electrical life/ mechanical life(10,000 times)	10/100
Ambient temp	-5°C ~ +40°C
Installation method	Panel type
Power-off memory	More than 10 years(settable)

4. Wiring diagram

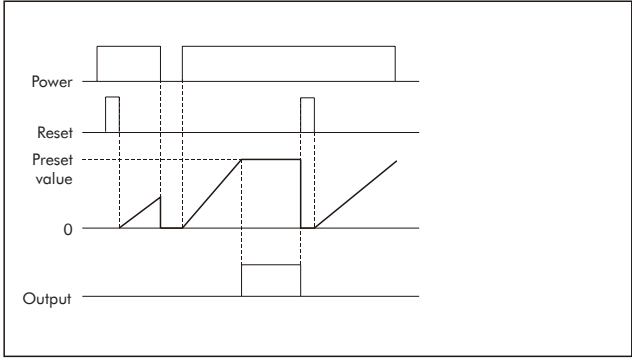


5. Overall and mounting dimensions (mm)



4. Wiring diagram

JDM1-48 Timing Chart (No blackout memory)



JDM1-48 Timing Chart (With power and memory)

