



## CJ19 Series Capacitor Contactors

### 1. General

1.1 Electric ratings: AC50/60Hz, up to 690V;

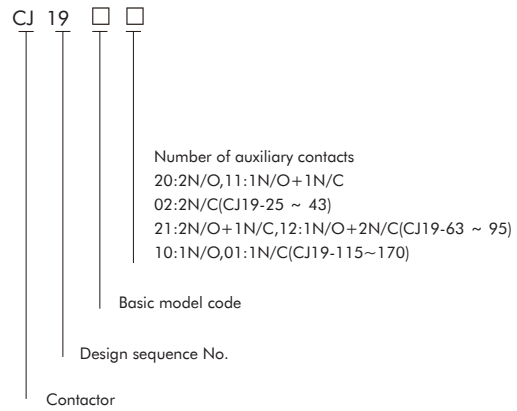
1.2 Standard: IEC/EN 60947-4-1



### 4. Technical data

Item		CJ19-25	CJ19-32	CJ19-43	CJ19-63	CJ19-95	CJ19-115	CJ19-150	CJ19-170	
Controllable capacitor Capacity kvar	220/230V	6.7	10	15	20	35	40	46	52	
	380/400V	12.5	20	25	33.3	50	60	80	90	
	660/690V	18	26	36	48	92	100	120	130	
Rated Isolation Voltage Ue V	690									
Rated Operational Voltage Ue V	220/230V,380/400V,660/690V									
Conventional thermal current I <sub>th</sub> A		25	32	43	63	95	200	200	275	
Rated Operational current I <sub>e</sub> (380V) A		17	23	29	43	72.2	87	115	130	
Restrained surge capacity		20 I <sub>e</sub>								
Capacity of Auxiliary contact		AC-15:I <sub>e</sub> :0.95A U <sub>e</sub> :380/400V DC-13:I <sub>e</sub> :0.15A U <sub>e</sub> :220/250V Conventional thermal current I <sub>th</sub> :10A								
Operating Frequency cycles/h		120								
Electrical durability 10 <sup>4</sup>		10						2		
Mechanical durability 10 <sup>4</sup>		100						300		

### 2. Type designation



### 3. Operating conditions

3.1 Ambient temperature: -5°C ~ +40°C, the average during 24 hours should not exceed +35°C ;

3.2 Altitude: ≤ 2000m;

3.3 Atmosphere conditions: At mounting site, relative humidity not exceed 50% at the max temperature of +40 °C, higher relative humidity is allowable under lower temperature. For example, RH could be 90% at +20°C, special measures should be taken to occurrence of dews;

3.4 Pollution degree: 3

3.5 Installation category: III

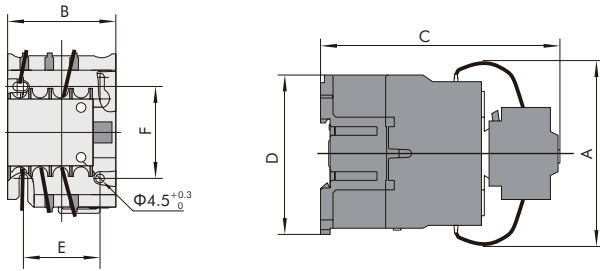
3.6 Installation conditions : the inclination between installation plane and vertical plane is within ±5 °

3.7 Impact and shake: the products should locate in the places where there are no obvious impact and shake.

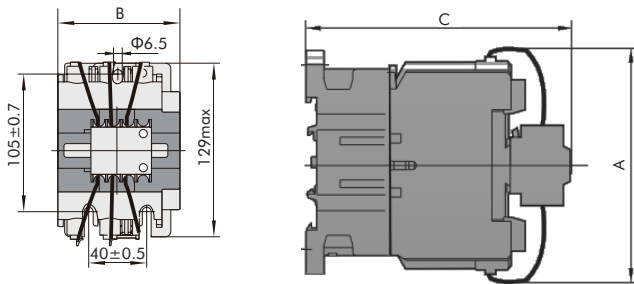
3.8 Protection class: IP10

### 5. Overall and mounting dimensions (mm)

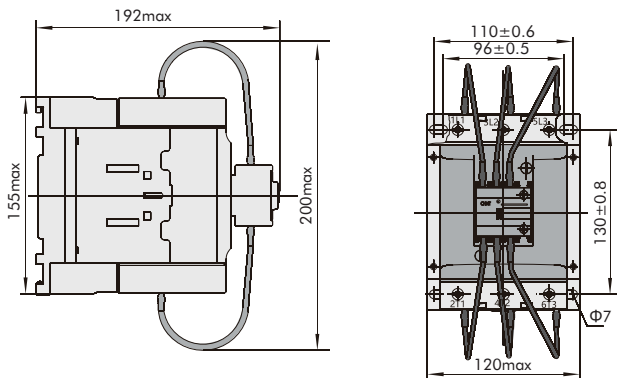
CJ19-25~43



CJ19-63~95



CJ19-115~170

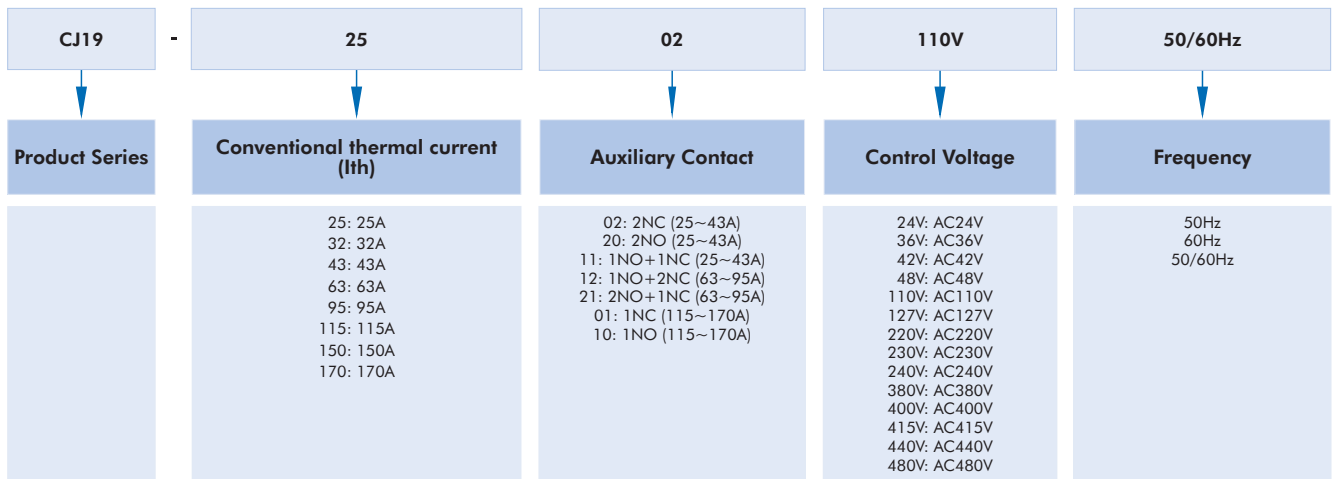


Model	Amax	Bmax	Cmax	Dmax	E	F	Note
CJ19-25	80	47	124	76	34/35	50/60	Not only fixed by screws but also could be fixed with 35mm din rail
CJ19-32	90	58	132	86	40	48	
CJ19-43	90	58	136	86	40	48	
CJ19-63	132	79	150	-	-	-	Not only fixed by screws but also could be fixed with 35mm and 75mm din rail
CJ19-95	135	87	158	-	-	-	
CJ19-115	200	120	192	155			Not only fixed by screws but also could be fixed with two 35mm din rail
CJ19-150	200	120	192	155			
CJ19-170	200	120	192	155			

### 6. Wiring and installation

6.1 The connection terminals are protected through insulation cover, which is reliable and secure for installation and operation;

6.2 For CJ19-25~43, screws are available for installation, as well as the DIN rail;  
 for CJ19-63~95, 35mm or 75mm standard rail are available for installation.  
 for CJ19-115~170, screws are available for installation, as well as two 35mm DIN rail.



CJ19 Contactor 25~170A

Ith	Main Contacts	Auxiliary Contacts	Coil	Model Description	Code
25A	3P	2NC	AC 110V 50Hz	CJ19-25/02 110V 50Hz	243720
25A	3P	2NC	AC 110V 60Hz	CJ19-25/02 110V 60Hz	243721
25A	3P	2NC	AC 127V 50/60Hz	CJ19-25/02 127V 50/60Hz	243722
25A	3P	2NC	AC 127V 50Hz	CJ19-25/02 127V 50Hz	243723
25A	3P	2NC	AC 127V 60Hz	CJ19-25/02 127V 60Hz	243724
25A	3P	2NC	AC 220V 50/60Hz	CJ19-25/02 220V 50/60Hz	243725
25A	3P	2NC	AC 220V 50Hz	CJ19-25/02 220V 50Hz	243726
25A	3P	2NC	AC 220V 60Hz	CJ19-25/02 220V 60Hz	243727
25A	3P	2NC	AC 230V 50/60Hz	CJ19-25/02 230V 50/60Hz	243728
25A	3P	2NC	AC 230V 50Hz	CJ19-25/02 230V 50Hz	243729
25A	3P	2NC	AC 230V 60Hz	CJ19-25/02 230V 60Hz	243730
25A	3P	2NC	AC 240V 50/60Hz	CJ19-25/02 240V 50/60Hz	243731
25A	3P	2NC	AC 240V 50Hz	CJ19-25/02 240V 50Hz	243732
25A	3P	2NC	AC 240V 60Hz	CJ19-25/02 240V 60Hz	243733
25A	3P	2NC	AC 24V 50/60Hz	CJ19-25/02 24V 50/60Hz	243734
25A	3P	2NC	AC 24V 50Hz	CJ19-25/02 24V 50Hz	243735
25A	3P	2NC	AC 24V 60Hz	CJ19-25/02 24V 60Hz	243736
25A	3P	2NC	AC 36V 50/60Hz	CJ19-25/02 36V 50/60Hz	243737
25A	3P	2NC	AC 36V 50Hz	CJ19-25/02 36V 50Hz	243738
25A	3P	2NC	AC 36V 60Hz	CJ19-25/02 36V 60Hz	243739
25A	3P	2NC	AC 380V 50/60Hz	CJ19-25/02 380V 50/60Hz	243740
25A	3P	2NC	AC 380V 50Hz	CJ19-25/02 380V 50Hz	243741
25A	3P	2NC	AC 380V 60Hz	CJ19-25/02 380V 60Hz	243742
25A	3P	2NC	AC 400V 50/60Hz	CJ19-25/02 400V 50/60Hz	243743
25A	3P	2NC	AC 400V 50Hz	CJ19-25/02 400V 50Hz	243744
25A	3P	2NC	AC 400V 60Hz	CJ19-25/02 400V 60Hz	243745
25A	3P	2NC	AC 415V 50/60Hz	CJ19-25/02 415V 50/60Hz	243746
25A	3P	2NC	AC 415V 50Hz	CJ19-25/02 415V 50Hz	243747
25A	3P	2NC	AC 415V 60Hz	CJ19-25/02 415V 60Hz	243748
25A	3P	2NC	AC 42V 50/60Hz	CJ19-25/02 42V 50/60Hz	243749
25A	3P	2NC	AC 42V 50Hz	CJ19-25/02 42V 50Hz	243750
25A	3P	2NC	AC 42V 60Hz	CJ19-25/02 42V 60Hz	243751
25A	3P	2NC	AC 440V 50/60Hz	CJ19-25/02 440V 50/60Hz	243752
25A	3P	2NC	AC 440V 50Hz	CJ19-25/02 440V 50Hz	243753
25A	3P	2NC	AC 440V 60Hz	CJ19-25/02 440V 60Hz	243754
25A	3P	2NC	AC 48V 50/60Hz	CJ19-25/02 48V 50/60Hz	243755
25A	3P	2NC	AC 48V 50Hz	CJ19-25/02 48V 50Hz	243756
25A	3P	2NC	AC 48V 60Hz	CJ19-25/02 48V 60Hz	243757
25A	3P	2NC	AC 110V 50/60Hz	CJ19-25/02 110V 50/60Hz	244232

Ith	Main Contacts	Auxiliary Contacts	Coil	Model Description	Code
25A	3P	1NO+1NC	AC 110V 50/60Hz	CJ19-25/11 110V 50/60Hz	243758
25A	3P	1NO+1NC	AC 110V 50Hz	CJ19-25/11 110V 50Hz	243759
25A	3P	1NO+1NC	AC 110V 60Hz	CJ19-25/11 110V 60Hz	243760
25A	3P	1NO+1NC	AC 127V 50/60Hz	CJ19-25/11 127V 50/60Hz	243761
25A	3P	1NO+1NC	AC 127V 50Hz	CJ19-25/11 127V 50Hz	243762
25A	3P	1NO+1NC	AC 127V 60Hz	CJ19-25/11 127V 60Hz	243763
25A	3P	1NO+1NC	AC 220V 50/60Hz	CJ19-25/11 220V 50/60Hz	243764
25A	3P	1NO+1NC	AC 220V 50Hz	CJ19-25/11 220V 50Hz	243765
25A	3P	1NO+1NC	AC 220V 60Hz	CJ19-25/11 220V 60Hz	243766
25A	3P	1NO+1NC	AC 230V 50/60Hz	CJ19-25/11 230V 50/60Hz	243767
25A	3P	1NO+1NC	AC 230V 50Hz	CJ19-25/11 230V 50Hz	243768
25A	3P	1NO+1NC	AC 230V 60Hz	CJ19-25/11 230V 60Hz	243769
25A	3P	1NO+1NC	AC 240V 50/60Hz	CJ19-25/11 240V 50/60Hz	243770
25A	3P	1NO+1NC	AC 240V 50Hz	CJ19-25/11 240V 50Hz	243771
25A	3P	1NO+1NC	AC 240V 60Hz	CJ19-25/11 240V 60Hz	243772
25A	3P	1NO+1NC	AC 24V 50/60Hz	CJ19-25/11 24V 50/60Hz	243773
25A	3P	1NO+1NC	AC 24V 50Hz	CJ19-25/11 24V 50Hz	243774
25A	3P	1NO+1NC	AC 24V 60Hz	CJ19-25/11 24V 60Hz	243775
25A	3P	1NO+1NC	AC 36V 50/60Hz	CJ19-25/11 36V 50/60Hz	243776
25A	3P	1NO+1NC	AC 36V 50Hz	CJ19-25/11 36V 50Hz	243777
25A	3P	1NO+1NC	AC 36V 60Hz	CJ19-25/11 36V 60Hz	243778
25A	3P	1NO+1NC	AC 380V 50/60Hz	CJ19-25/11 380V 50/60Hz	243779
25A	3P	1NO+1NC	AC 380V 50Hz	CJ19-25/11 380V 50Hz	243780
25A	3P	1NO+1NC	AC 380V 60Hz	CJ19-25/11 380V 60Hz	243781
25A	3P	1NO+1NC	AC 400V 50/60Hz	CJ19-25/11 400V 50/60Hz	243782
25A	3P	1NO+1NC	AC 400V 50Hz	CJ19-25/11 400V 50Hz	243783
25A	3P	1NO+1NC	AC 400V 60Hz	CJ19-25/11 400V 60Hz	243784
25A	3P	1NO+1NC	AC 415V 50/60Hz	CJ19-25/11 415V 50/60Hz	243785
25A	3P	1NO+1NC	AC 415V 50Hz	CJ19-25/11 415V 50Hz	243786
25A	3P	1NO+1NC	AC 415V 60Hz	CJ19-25/11 415V 60Hz	243787
25A	3P	1NO+1NC	AC 42V 50/60Hz	CJ19-25/11 42V 50/60Hz	243788
25A	3P	1NO+1NC	AC 42V 50Hz	CJ19-25/11 42V 50Hz	243789
25A	3P	1NO+1NC	AC 42V 60Hz	CJ19-25/11 42V 60Hz	243790
25A	3P	1NO+1NC	AC 440V 50/60Hz	CJ19-25/11 440V 50/60Hz	243791
25A	3P	1NO+1NC	AC 440V 50Hz	CJ19-25/11 440V 50Hz	243792
25A	3P	1NO+1NC	AC 440V 60Hz	CJ19-25/11 440V 60Hz	243793
25A	3P	1NO+1NC	AC 48V 50/60Hz	CJ19-25/11 48V 50/60Hz	243794
25A	3P	1NO+1NC	AC 48V 50Hz	CJ19-25/11 48V 50Hz	243795
25A	3P	1NO+1NC	AC 48V 60Hz	CJ19-25/11 48V 60Hz	243796
25A	3P	1NO+1NC	AC 480V 50/60Hz	CJ19-25/11 480V 50/60Hz	244235

lth	Main Contacts	Auxiliary Contacts	Coil	Model Description	Code
25A	3P	2NO	AC 110V 50/60Hz	CJ19-25/20 110V 50/60Hz	243797
25A	3P	2NO	AC 110V 50Hz	CJ19-25/20 110V 50Hz	243798
25A	3P	2NO	AC 110V 60Hz	CJ19-25/20 110V 60Hz	243799
25A	3P	2NO	AC 127V 50/60Hz	CJ19-25/20 127V 50/60Hz	243800
25A	3P	2NO	AC 127V 50Hz	CJ19-25/20 127V 50Hz	243801
25A	3P	2NO	AC 127V 60Hz	CJ19-25/20 127V 60Hz	243802
25A	3P	2NO	AC 220V 50/60Hz	CJ19-25/20 220V 50/60Hz	243803
25A	3P	2NO	AC 220V 50Hz	CJ19-25/20 220V 50Hz	243804
25A	3P	2NO	AC 220V 60Hz	CJ19-25/20 220V 60Hz	243805
25A	3P	2NO	AC 230V 50/60Hz	CJ19-25/20 230V 50/60Hz	243806
25A	3P	2NO	AC 230V 50Hz	CJ19-25/20 230V 50Hz	243807
25A	3P	2NO	AC 230V 60Hz	CJ19-25/20 230V 60Hz	243808
25A	3P	2NO	AC 240V 50/60Hz	CJ19-25/20 240V 50/60Hz	243809
25A	3P	2NO	AC 240V 50Hz	CJ19-25/20 240V 50Hz	243810
25A	3P	2NO	AC 240V 60Hz	CJ19-25/20 240V 60Hz	243811
25A	3P	2NO	AC 24V 50/60Hz	CJ19-25/20 24V 50/60Hz	243812
25A	3P	2NO	AC 24V 50Hz	CJ19-25/20 24V 50Hz	243813
25A	3P	2NO	AC 24V 60Hz	CJ19-25/20 24V 60Hz	243814
25A	3P	2NO	AC 36V 50/60Hz	CJ19-25/20 36V 50/60Hz	243815
25A	3P	2NO	AC 36V 50Hz	CJ19-25/20 36V 50Hz	243816
25A	3P	2NO	AC 36V 60Hz	CJ19-25/20 36V 60Hz	243817
25A	3P	2NO	AC 380V 50/60Hz	CJ19-25/20 380V 50/60Hz	243818
25A	3P	2NO	AC 380V 50Hz	CJ19-25/20 380V 50Hz	243819
25A	3P	2NO	AC 380V 60Hz	CJ19-25/20 380V 60Hz	243820
25A	3P	2NO	AC 400V 50/60Hz	CJ19-25/20 400V 50/60Hz	243821
25A	3P	2NO	AC 400V 50Hz	CJ19-25/20 400V 50Hz	243822
25A	3P	2NO	AC 400V 60Hz	CJ19-25/20 400V 60Hz	243823
25A	3P	2NO	AC 415V 50/60Hz	CJ19-25/20 415V 50/60Hz	243824
25A	3P	2NO	AC 415V 50Hz	CJ19-25/20 415V 50Hz	243825
25A	3P	2NO	AC 415V 60Hz	CJ19-25/20 415V 60Hz	243826
25A	3P	2NO	AC 42V 50/60Hz	CJ19-25/20 42V 50/60Hz	243827
25A	3P	2NO	AC 42V 50Hz	CJ19-25/20 42V 50Hz	243828
25A	3P	2NO	AC 42V 60Hz	CJ19-25/20 42V 60Hz	243829
25A	3P	2NO	AC 440V 50/60Hz	CJ19-25/20 440V 50/60Hz	243830
25A	3P	2NO	AC 440V 50Hz	CJ19-25/20 440V 50Hz	243831
25A	3P	2NO	AC 440V 60Hz	CJ19-25/20 440V 60Hz	243832
25A	3P	2NO	AC 48V 50/60Hz	CJ19-25/20 48V 50/60Hz	243833
25A	3P	2NO	AC 48V 50Hz	CJ19-25/20 48V 50Hz	243834
25A	3P	2NO	AC 48V 60Hz	CJ19-25/20 48V 60Hz	243835

Ith	Main Contacts	Auxiliary Contacts	Coil	Model Description	Code
32A	3P	2NC	AC 110V 50/60Hz	CJ19-32/02 110V 50/60Hz	243836
32A	3P	2NC	AC 110V 50Hz	CJ19-32/02 110V 50Hz	243837
32A	3P	2NC	AC 110V 60Hz	CJ19-32/02 110V 60Hz	243838
32A	3P	2NC	AC 127V 50/60Hz	CJ19-32/02 127V 50/60Hz	243839
32A	3P	2NC	AC 127V 50Hz	CJ19-32/02 127V 50Hz	243840
32A	3P	2NC	AC 127V 60Hz	CJ19-32/02 127V 60Hz	243841
32A	3P	2NC	AC 220V 50/60Hz	CJ19-32/02 220V 50/60Hz	243842
32A	3P	2NC	AC 220V 50Hz	CJ19-32/02 220V 50Hz	243843
32A	3P	2NC	AC 220V 60Hz	CJ19-32/02 220V 60Hz	243844
32A	3P	2NC	AC 230V 50/60Hz	CJ19-32/02 230V 50/60Hz	243845
32A	3P	2NC	AC 230V 50Hz	CJ19-32/02 230V 50Hz	243846
32A	3P	2NC	AC 230V 60Hz	CJ19-32/02 230V 60Hz	243847
32A	3P	2NC	AC 240V 50/60Hz	CJ19-32/02 240V 50/60Hz	243848
32A	3P	2NC	AC 240V 50Hz	CJ19-32/02 240V 50Hz	243849
32A	3P	2NC	AC 240V 60Hz	CJ19-32/02 240V 60Hz	243850
32A	3P	2NC	AC 24V 50/60Hz	CJ19-32/02 24V 50/60Hz	243851
32A	3P	2NC	AC 24V 50Hz	CJ19-32/02 24V 50Hz	243852
32A	3P	2NC	AC 24V 60Hz	CJ19-32/02 24V 60Hz	243853
32A	3P	2NC	AC 36V 50/60Hz	CJ19-32/02 36V 50/60Hz	243854
32A	3P	2NC	AC 36V 50Hz	CJ19-32/02 36V 50Hz	243855
32A	3P	2NC	AC 36V 60Hz	CJ19-32/02 36V 60Hz	243856
32A	3P	2NC	AC 380V 50/60Hz	CJ19-32/02 380V 50/60Hz	243857
32A	3P	2NC	AC 380V 50Hz	CJ19-32/02 380V 50Hz	243858
32A	3P	2NC	AC 380V 60Hz	CJ19-32/02 380V 60Hz	243859
32A	3P	2NC	AC 400V 50/60Hz	CJ19-32/02 400V 50/60Hz	243860
32A	3P	2NC	AC 400V 50Hz	CJ19-32/02 400V 50Hz	243861
32A	3P	2NC	AC 400V 60Hz	CJ19-32/02 400V 60Hz	243862
32A	3P	2NC	AC 415V 50/60Hz	CJ19-32/02 415V 50/60Hz	243863
32A	3P	2NC	AC 415V 50Hz	CJ19-32/02 415V 50Hz	243864
32A	3P	2NC	AC 415V 60Hz	CJ19-32/02 415V 60Hz	243865
32A	3P	2NC	AC 42V 50/60Hz	CJ19-32/02 42V 50/60Hz	243866
32A	3P	2NC	AC 42V 50Hz	CJ19-32/02 42V 50Hz	243867
32A	3P	2NC	AC 42V 60Hz	CJ19-32/02 42V 60Hz	243868
32A	3P	2NC	AC 440V 50/60Hz	CJ19-32/02 440V 50/60Hz	243869
32A	3P	2NC	AC 440V 50Hz	CJ19-32/02 440V 50Hz	243870
32A	3P	2NC	AC 440V 60Hz	CJ19-32/02 440V 60Hz	243871
32A	3P	2NC	AC 48V 50/60Hz	CJ19-32/02 48V 50/60Hz	243872
32A	3P	2NC	AC 48V 50Hz	CJ19-32/02 48V 50Hz	243873
32A	3P	2NC	AC 48V 60Hz	CJ19-32/02 48V 60Hz	243874

lth	Main Contacts	Auxiliary Contacts	Coil	Model Description	Code
32A	3P	1NO+1NC	AC 110V 50/60Hz	CJ19-32/11 110V 50/60Hz	243875
32A	3P	1NO+1NC	AC 110V 50Hz	CJ19-32/11 110V 50Hz	243876
32A	3P	1NO+1NC	AC 110V 60Hz	CJ19-32/11 110V 60Hz	243877
32A	3P	1NO+1NC	AC 127V 50/60Hz	CJ19-32/11 127V 50/60Hz	243878
32A	3P	1NO+1NC	AC 127V 50Hz	CJ19-32/11 127V 50Hz	243879
32A	3P	1NO+1NC	AC 127V 60Hz	CJ19-32/11 127V 60Hz	243880
32A	3P	1NO+1NC	AC 220V 50/60Hz	CJ19-32/11 220V 50/60Hz	243881
32A	3P	1NO+1NC	AC 220V 50Hz	CJ19-32/11 220V 50Hz	243882
32A	3P	1NO+1NC	AC 220V 60Hz	CJ19-32/11 220V 60Hz	243883
32A	3P	1NO+1NC	AC 230V 50/60Hz	CJ19-32/11 230V 50/60Hz	243884
32A	3P	1NO+1NC	AC 230V 50Hz	CJ19-32/11 230V 50Hz	243885
32A	3P	1NO+1NC	AC 230V 60Hz	CJ19-32/11 230V 60Hz	243886
32A	3P	1NO+1NC	AC 240V 50/60Hz	CJ19-32/11 240V 50/60Hz	243887
32A	3P	1NO+1NC	AC 240V 50Hz	CJ19-32/11 240V 50Hz	243888
32A	3P	1NO+1NC	AC 240V 60Hz	CJ19-32/11 240V 60Hz	243889
32A	3P	1NO+1NC	AC 24V 50/60Hz	CJ19-32/11 24V 50/60Hz	243890
32A	3P	1NO+1NC	AC 24V 50Hz	CJ19-32/11 24V 50Hz	243891
32A	3P	1NO+1NC	AC 24V 60Hz	CJ19-32/11 24V 60Hz	243892
32A	3P	1NO+1NC	AC 36V 50/60Hz	CJ19-32/11 36V 50/60Hz	243893
32A	3P	1NO+1NC	AC 36V 50Hz	CJ19-32/11 36V 50Hz	243894
32A	3P	1NO+1NC	AC 36V 60Hz	CJ19-32/11 36V 60Hz	243895
32A	3P	1NO+1NC	AC 380V 50/60Hz	CJ19-32/11 380V 50/60Hz	243896
32A	3P	1NO+1NC	AC 380V 50Hz	CJ19-32/11 380V 50Hz	243897
32A	3P	1NO+1NC	AC 380V 60Hz	CJ19-32/11 380V 60Hz	243898
32A	3P	1NO+1NC	AC 400V 50/60Hz	CJ19-32/11 400V 50/60Hz	243899
32A	3P	1NO+1NC	AC 400V 50Hz	CJ19-32/11 400V 50Hz	243900
32A	3P	1NO+1NC	AC 400V 60Hz	CJ19-32/11 400V 60Hz	243901
32A	3P	1NO+1NC	AC 415V 50/60Hz	CJ19-32/11 415V 50/60Hz	243902
32A	3P	1NO+1NC	AC 415V 50Hz	CJ19-32/11 415V 50Hz	243903
32A	3P	1NO+1NC	AC 415V 60Hz	CJ19-32/11 415V 60Hz	243904
32A	3P	1NO+1NC	AC 42V 50/60Hz	CJ19-32/11 42V 50/60Hz	243905
32A	3P	1NO+1NC	AC 42V 50Hz	CJ19-32/11 42V 50Hz	243906
32A	3P	1NO+1NC	AC 42V 60Hz	CJ19-32/11 42V 60Hz	243907
32A	3P	1NO+1NC	AC 440V 50/60Hz	CJ19-32/11 440V 50/60Hz	243908
32A	3P	1NO+1NC	AC 440V 50Hz	CJ19-32/11 440V 50Hz	243909
32A	3P	1NO+1NC	AC 440V 60Hz	CJ19-32/11 440V 60Hz	243910
32A	3P	1NO+1NC	AC 48V 50/60Hz	CJ19-32/11 48V 50/60Hz	243911
32A	3P	1NO+1NC	AC 48V 50Hz	CJ19-32/11 48V 50Hz	243912
32A	3P	1NO+1NC	AC 48V 60Hz	CJ19-32/11 48V 60Hz	243913
32A	3P	1NO+1NC	AC 480V 50/60Hz	CJ19-32/11 480V 50/60Hz	244234

Ith	Main Contacts	Auxiliary Contacts	Coil	Model Description	Code
32A	3P	2NO	AC 110V 50/60Hz	CJ19-32/20 110V 50/60Hz	243914
32A	3P	2NO	AC 110V 50Hz	CJ19-32/20 110V 50Hz	243915
32A	3P	2NO	AC 110V 60Hz	CJ19-32/20 110V 60Hz	243916
32A	3P	2NO	AC 127V 50/60Hz	CJ19-32/20 127V 50/60Hz	243917
32A	3P	2NO	AC 127V 50Hz	CJ19-32/20 127V 50Hz	243918
32A	3P	2NO	AC 127V 60Hz	CJ19-32/20 127V 60Hz	243919
32A	3P	2NO	AC 220V 50/60Hz	CJ19-32/20 220V 50/60Hz	243920
32A	3P	2NO	AC 220V 50Hz	CJ19-32/20 220V 50Hz	243921
32A	3P	2NO	AC 220V 60Hz	CJ19-32/20 220V 60Hz	243922
32A	3P	2NO	AC 230V 50/60Hz	CJ19-32/20 230V 50/60Hz	243923
32A	3P	2NO	AC 230V 50Hz	CJ19-32/20 230V 50Hz	243924
32A	3P	2NO	AC 230V 60Hz	CJ19-32/20 230V 60Hz	243925
32A	3P	2NO	AC 240V 50/60Hz	CJ19-32/20 240V 50/60Hz	243926
32A	3P	2NO	AC 240V 50Hz	CJ19-32/20 240V 50Hz	243927
32A	3P	2NO	AC 240V 60Hz	CJ19-32/20 240V 60Hz	243928
32A	3P	2NO	AC 24V 50/60Hz	CJ19-32/20 24V 50/60Hz	243929
32A	3P	2NO	AC 24V 50Hz	CJ19-32/20 24V 50Hz	243930
32A	3P	2NO	AC 24V 60Hz	CJ19-32/20 24V 60Hz	243931
32A	3P	2NO	AC 36V 50/60Hz	CJ19-32/20 36V 50/60Hz	243932
32A	3P	2NO	AC 36V 50Hz	CJ19-32/20 36V 50Hz	243933
32A	3P	2NO	AC 36V 60Hz	CJ19-32/20 36V 60Hz	243934
32A	3P	2NO	AC 380V 50/60Hz	CJ19-32/20 380V 50/60Hz	243935
32A	3P	2NO	AC 380V 50Hz	CJ19-32/20 380V 50Hz	243936
32A	3P	2NO	AC 380V 60Hz	CJ19-32/20 380V 60Hz	243937
32A	3P	2NO	AC 400V 50/60Hz	CJ19-32/20 400V 50/60Hz	243938
32A	3P	2NO	AC 400V 50Hz	CJ19-32/20 400V 50Hz	243939
32A	3P	2NO	AC 400V 60Hz	CJ19-32/20 400V 60Hz	243940
32A	3P	2NO	AC 415V 50/60Hz	CJ19-32/20 415V 50/60Hz	243941
32A	3P	2NO	AC 415V 50Hz	CJ19-32/20 415V 50Hz	243942
32A	3P	2NO	AC 415V 60Hz	CJ19-32/20 415V 60Hz	243943
32A	3P	2NO	AC 42V 50/60Hz	CJ19-32/20 42V 50/60Hz	243944
32A	3P	2NO	AC 42V 50Hz	CJ19-32/20 42V 50Hz	243945
32A	3P	2NO	AC 42V 60Hz	CJ19-32/20 42V 60Hz	243946
32A	3P	2NO	AC 440V 50/60Hz	CJ19-32/20 440V 50/60Hz	243947
32A	3P	2NO	AC 440V 50Hz	CJ19-32/20 440V 50Hz	243948
32A	3P	2NO	AC 440V 60Hz	CJ19-32/20 440V 60Hz	243949
32A	3P	2NO	AC 48V 50/60Hz	CJ19-32/20 48V 50/60Hz	243950
32A	3P	2NO	AC 48V 50Hz	CJ19-32/20 48V 50Hz	243951
32A	3P	2NO	AC 48V 60Hz	CJ19-32/20 48V 60Hz	243952



lth	Main Contacts	Auxiliary Contacts	Coil	Model Description	Code
43A	3P	2NC	AC 110V 50/60Hz	CJ19-43/02 110V 50/60Hz	243953
43A	3P	2NC	AC 110V 50Hz	CJ19-43/02 110V 50Hz	243954
43A	3P	2NC	AC 110V 60Hz	CJ19-43/02 110V 60Hz	243955
43A	3P	2NC	AC 127V 50/60Hz	CJ19-43/02 127V 50/60Hz	243956
43A	3P	2NC	AC 127V 50Hz	CJ19-43/02 127V 50Hz	243957
43A	3P	2NC	AC 127V 60Hz	CJ19-43/02 127V 60Hz	243958
43A	3P	2NC	AC 220V 50/60Hz	CJ19-43/02 220V 50/60Hz	243959
43A	3P	2NC	AC 220V 50Hz	CJ19-43/02 220V 50Hz	243960
43A	3P	2NC	AC 220V 60Hz	CJ19-43/02 220V 60Hz	243961
43A	3P	2NC	AC 230V 50/60Hz	CJ19-43/02 230V 50/60Hz	243962
43A	3P	2NC	AC 230V 50Hz	CJ19-43/02 230V 50Hz	243963
43A	3P	2NC	AC 230V 60Hz	CJ19-43/02 230V 60Hz	243964
43A	3P	2NC	AC 240V 50/60Hz	CJ19-43/02 240V 50/60Hz	243965
43A	3P	2NC	AC 240V 50Hz	CJ19-43/02 240V 50Hz	243966
43A	3P	2NC	AC 240V 60Hz	CJ19-43/02 240V 60Hz	243967
43A	3P	2NC	AC 24V 50/60Hz	CJ19-43/02 24V 50/60Hz	243968
43A	3P	2NC	AC 24V 50Hz	CJ19-43/02 24V 50Hz	243969
43A	3P	2NC	AC 24V 60Hz	CJ19-43/02 24V 60Hz	243970
43A	3P	2NC	AC 36V 50/60Hz	CJ19-43/02 36V 50/60Hz	243971
43A	3P	2NC	AC 36V 50Hz	CJ19-43/02 36V 50Hz	243972
43A	3P	2NC	AC 36V 60Hz	CJ19-43/02 36V 60Hz	243973
43A	3P	2NC	AC 380V 50/60Hz	CJ19-43/02 380V 50/60Hz	243974
43A	3P	2NC	AC 380V 50Hz	CJ19-43/02 380V 50Hz	243975
43A	3P	2NC	AC 380V 60Hz	CJ19-43/02 380V 60Hz	243976
43A	3P	2NC	AC 400V 50/60Hz	CJ19-43/02 400V 50/60Hz	243977
43A	3P	2NC	AC 400V 50Hz	CJ19-43/02 400V 50Hz	243978
43A	3P	2NC	AC 400V 60Hz	CJ19-43/02 400V 60Hz	243979
43A	3P	2NC	AC 415V 50/60Hz	CJ19-43/02 415V 50/60Hz	243980
43A	3P	2NC	AC 415V 50Hz	CJ19-43/02 415V 50Hz	243981
43A	3P	2NC	AC 415V 60Hz	CJ19-43/02 415V 60Hz	243982
43A	3P	2NC	AC 42V 50/60Hz	CJ19-43/02 42V 50/60Hz	243983
43A	3P	2NC	AC 42V 50Hz	CJ19-43/02 42V 50Hz	243984
43A	3P	2NC	AC 42V 60Hz	CJ19-43/02 42V 60Hz	243985
43A	3P	2NC	AC 440V 50/60Hz	CJ19-43/02 440V 50/60Hz	243986
43A	3P	2NC	AC 440V 50Hz	CJ19-43/02 440V 50Hz	243987
43A	3P	2NC	AC 440V 60Hz	CJ19-43/02 440V 60Hz	243988
43A	3P	2NC	AC 48V 50/60Hz	CJ19-43/02 48V 50/60Hz	243989
43A	3P	2NC	AC 48V 50Hz	CJ19-43/02 48V 50Hz	243990
43A	3P	2NC	AC 48V 60Hz	CJ19-43/02 48V 60Hz	243991

Ith	Main Contacts	Auxiliary Contacts	Coil	Model Description	Code
43A	3P	1NO+1NC	AC 110V 50/60Hz	CJ19-43/11 110V 50/60Hz	243992
43A	3P	1NO+1NC	AC 110V 50Hz	CJ19-43/11 110V 50Hz	243993
43A	3P	1NO+1NC	AC 110V 60Hz	CJ19-43/11 110V 60Hz	243994
43A	3P	1NO+1NC	AC 127V 50/60Hz	CJ19-43/11 127V 50/60Hz	243995
43A	3P	1NO+1NC	AC 127V 50Hz	CJ19-43/11 127V 50Hz	243996
43A	3P	1NO+1NC	AC 127V 60Hz	CJ19-43/11 127V 60Hz	243997
43A	3P	1NO+1NC	AC 220V 50/60Hz	CJ19-43/11 220V 50/60Hz	243998
43A	3P	1NO+1NC	AC 220V 50Hz	CJ19-43/11 220V 50Hz	243999
43A	3P	1NO+1NC	AC 220V 60Hz	CJ19-43/11 220V 60Hz	244000
43A	3P	1NO+1NC	AC 230V 50/60Hz	CJ19-43/11 230V 50/60Hz	244001
43A	3P	1NO+1NC	AC 230V 50Hz	CJ19-43/11 230V 50Hz	244002
43A	3P	1NO+1NC	AC 230V 60Hz	CJ19-43/11 230V 60Hz	244003
43A	3P	1NO+1NC	AC 240V 50/60Hz	CJ19-43/11 240V 50/60Hz	244004
43A	3P	1NO+1NC	AC 240V 50Hz	CJ19-43/11 240V 50Hz	244005
43A	3P	1NO+1NC	AC 240V 60Hz	CJ19-43/11 240V 60Hz	244006
43A	3P	1NO+1NC	AC 24V 50/60Hz	CJ19-43/11 24V 50/60Hz	244007
43A	3P	1NO+1NC	AC 24V 50Hz	CJ19-43/11 24V 50Hz	244008
43A	3P	1NO+1NC	AC 24V 60Hz	CJ19-43/11 24V 60Hz	244009
43A	3P	1NO+1NC	AC 36V 50/60Hz	CJ19-43/11 36V 50/60Hz	244010
43A	3P	1NO+1NC	AC 36V 50Hz	CJ19-43/11 36V 50Hz	244011
43A	3P	1NO+1NC	AC 36V 60Hz	CJ19-43/11 36V 60Hz	244012
43A	3P	1NO+1NC	AC 380V 50/60Hz	CJ19-43/11 380V 50/60Hz	244013
43A	3P	1NO+1NC	AC 380V 50Hz	CJ19-43/11 380V 50Hz	244014
43A	3P	1NO+1NC	AC 380V 60Hz	CJ19-43/11 380V 60Hz	244015
43A	3P	1NO+1NC	AC 400V 50/60Hz	CJ19-43/11 400V 50/60Hz	244016
43A	3P	1NO+1NC	AC 400V 50Hz	CJ19-43/11 400V 50Hz	244017
43A	3P	1NO+1NC	AC 400V 60Hz	CJ19-43/11 400V 60Hz	244018
43A	3P	1NO+1NC	AC 415V 50/60Hz	CJ19-43/11 415V 50/60Hz	244019
43A	3P	1NO+1NC	AC 415V 50Hz	CJ19-43/11 415V 50Hz	244020
43A	3P	1NO+1NC	AC 415V 60Hz	CJ19-43/11 415V 60Hz	244021
43A	3P	1NO+1NC	AC 42V 50/60Hz	CJ19-43/11 42V 50/60Hz	244022
43A	3P	1NO+1NC	AC 42V 50Hz	CJ19-43/11 42V 50Hz	244023
43A	3P	1NO+1NC	AC 42V 60Hz	CJ19-43/11 42V 60Hz	244024
43A	3P	1NO+1NC	AC 440V 50/60Hz	CJ19-43/11 440V 50/60Hz	244025
43A	3P	1NO+1NC	AC 440V 50Hz	CJ19-43/11 440V 50Hz	244026
43A	3P	1NO+1NC	AC 440V 60Hz	CJ19-43/11 440V 60Hz	244027
43A	3P	1NO+1NC	AC 48V 50/60Hz	CJ19-43/11 48V 50/60Hz	244028
43A	3P	1NO+1NC	AC 48V 50Hz	CJ19-43/11 48V 50Hz	244029
43A	3P	1NO+1NC	AC 48V 60Hz	CJ19-43/11 48V 60Hz	244030
43A	3P	1NO+1NC	AC 480V 50/60Hz	CJ19-43/11 480V 50/60Hz	244233

Ith	Main Contacts	Auxiliary Contacts	Coil	Model Description	Code
43A	3P	2NO	AC 110V 50Hz	CJ19-43/20 110V 50Hz	244032
43A	3P	2NO	AC 110V 60Hz	CJ19-43/20 110V 60Hz	244033
43A	3P	2NO	AC 127V 50/60Hz	CJ19-43/20 127V 50/60Hz	244034
43A	3P	2NO	AC 127V 50Hz	CJ19-43/20 127V 50Hz	244035
43A	3P	2NO	AC 127V 60Hz	CJ19-43/20 127V 60Hz	244036
43A	3P	2NO	AC 220V 50/60Hz	CJ19-43/20 220V 50/60Hz	244037
43A	3P	2NO	AC 220V 50Hz	CJ19-43/20 220V 50Hz	244038
43A	3P	2NO	AC 220V 60Hz	CJ19-43/20 220V 60Hz	244039
43A	3P	2NO	AC 230V 50/60Hz	CJ19-43/20 230V 50/60Hz	244040
43A	3P	2NO	AC 230V 50Hz	CJ19-43/20 230V 50Hz	244041
43A	3P	2NO	AC 230V 60Hz	CJ19-43/20 230V 60Hz	244042
43A	3P	2NO	AC 240V 50/60Hz	CJ19-43/20 240V 50/60Hz	244043
43A	3P	2NO	AC 240V 50Hz	CJ19-43/20 240V 50Hz	244044
43A	3P	2NO	AC 240V 60Hz	CJ19-43/20 240V 60Hz	244045
43A	3P	2NO	AC 24V 50/60Hz	CJ19-43/20 24V 50/60Hz	244046
43A	3P	2NO	AC 24V 50Hz	CJ19-43/20 24V 50Hz	244047
43A	3P	2NO	AC 24V 60Hz	CJ19-43/20 24V 60Hz	244048
43A	3P	2NO	AC 36V 50/60Hz	CJ19-43/20 36V 50/60Hz	244049
43A	3P	2NO	AC 36V 50Hz	CJ19-43/20 36V 50Hz	244050
43A	3P	2NO	AC 36V 60Hz	CJ19-43/20 36V 60Hz	244051
43A	3P	2NO	AC 380V 50/60Hz	CJ19-43/20 380V 50/60Hz	244052
43A	3P	2NO	AC 380V 50Hz	CJ19-43/20 380V 50Hz	244053
43A	3P	2NO	AC 380V 60Hz	CJ19-43/20 380V 60Hz	244054
43A	3P	2NO	AC 400V 50/60Hz	CJ19-43/20 400V 50/60Hz	244055
43A	3P	2NO	AC 400V 50Hz	CJ19-43/20 400V 50Hz	244056
43A	3P	2NO	AC 400V 60Hz	CJ19-43/20 400V 60Hz	244057
43A	3P	2NO	AC 415V 50/60Hz	CJ19-43/20 415V 50/60Hz	244058
43A	3P	2NO	AC 415V 50Hz	CJ19-43/20 415V 50Hz	244059
43A	3P	2NO	AC 415V 60Hz	CJ19-43/20 415V 60Hz	244060
43A	3P	2NO	AC 42V 50/60Hz	CJ19-43/20 42V 50/60Hz	244061
43A	3P	2NO	AC 42V 50Hz	CJ19-43/20 42V 50Hz	244062
43A	3P	2NO	AC 42V 60Hz	CJ19-43/20 42V 60Hz	244063
43A	3P	2NO	AC 440V 50/60Hz	CJ19-43/20 440V 50/60Hz	244064
43A	3P	2NO	AC 440V 50Hz	CJ19-43/20 440V 50Hz	244065
43A	3P	2NO	AC 440V 60Hz	CJ19-43/20 440V 60Hz	244066
43A	3P	2NO	AC 48V 50/60Hz	CJ19-43/20 48V 50/60Hz	244067
43A	3P	2NO	AC 48V 50Hz	CJ19-43/20 48V 50Hz	244068
43A	3P	2NO	AC 48V 60Hz	CJ19-43/20 48V 60Hz	244069

Ith	Main Contacts	Auxiliary Contacts	Coil	Model Description	Code
63A	3P	1NO+2NC	AC 110V 50/60Hz	CJ19-63/12 110V 50/60Hz	244073
63A	3P	1NO+2NC	AC 110V 50Hz	CJ19-63/12 110V 50Hz	244074
63A	3P	1NO+2NC	AC 110V 60Hz	CJ19-63/12 110V 60Hz	244075
63A	3P	1NO+2NC	AC 127V 50/60Hz	CJ19-63/12 127V 50/60Hz	244076
63A	3P	1NO+2NC	AC 127V 50Hz	CJ19-63/12 127V 50Hz	244077
63A	3P	1NO+2NC	AC 127V 60Hz	CJ19-63/12 127V 60Hz	244078
63A	3P	1NO+2NC	AC 220V 50/60Hz	CJ19-63/12 220V 50/60Hz	244079
63A	3P	1NO+2NC	AC 220V 50Hz	CJ19-63/12 220V 50Hz	244080
63A	3P	1NO+2NC	AC 220V 60Hz	CJ19-63/12 220V 60Hz	244081
63A	3P	1NO+2NC	AC 230V 50/60Hz	CJ19-63/12 230V 50/60Hz	244082
63A	3P	1NO+2NC	AC 230V 50Hz	CJ19-63/12 230V 50Hz	244083
63A	3P	1NO+2NC	AC 230V 60Hz	CJ19-63/12 230V 60Hz	244084
63A	3P	1NO+2NC	AC 240V 50/60Hz	CJ19-63/12 240V 50/60Hz	244085
63A	3P	1NO+2NC	AC 240V 50Hz	CJ19-63/12 240V 50Hz	244086
63A	3P	1NO+2NC	AC 240V 60Hz	CJ19-63/12 240V 60Hz	244087
63A	3P	1NO+2NC	AC 24V 50/60Hz	CJ19-63/12 24V 50/60Hz	244088
63A	3P	1NO+2NC	AC 24V 50Hz	CJ19-63/12 24V 50Hz	244089
63A	3P	1NO+2NC	AC 24V 60Hz	CJ19-63/12 24V 60Hz	244090
63A	3P	1NO+2NC	AC 36V 50/60Hz	CJ19-63/12 36V 50/60Hz	244091
63A	3P	1NO+2NC	AC 36V 50Hz	CJ19-63/12 36V 50Hz	244092
63A	3P	1NO+2NC	AC 36V 60Hz	CJ19-63/12 36V 60Hz	244093
63A	3P	1NO+2NC	AC 380V 50/60Hz	CJ19-63/12 380V 50/60Hz	244094
63A	3P	1NO+2NC	AC 380V 50Hz	CJ19-63/12 380V 50Hz	244095
63A	3P	1NO+2NC	AC 380V 60Hz	CJ19-63/12 380V 60Hz	244096
63A	3P	1NO+2NC	AC 400V 50/60Hz	CJ19-63/12 400V 50/60Hz	244097
63A	3P	1NO+2NC	AC 400V 50Hz	CJ19-63/12 400V 50Hz	244098
63A	3P	1NO+2NC	AC 400V 60Hz	CJ19-63/12 400V 60Hz	244099
63A	3P	1NO+2NC	AC 415V 50/60Hz	CJ19-63/12 415V 50/60Hz	244100
63A	3P	1NO+2NC	AC 415V 50Hz	CJ19-63/12 415V 50Hz	244101
63A	3P	1NO+2NC	AC 415V 60Hz	CJ19-63/12 415V 60Hz	244102
63A	3P	1NO+2NC	AC 42V 50/60Hz	CJ19-63/12 42V 50/60Hz	244103
63A	3P	1NO+2NC	AC 42V 50Hz	CJ19-63/12 42V 50Hz	244104
63A	3P	1NO+2NC	AC 42V 60Hz	CJ19-63/12 42V 60Hz	244105
63A	3P	1NO+2NC	AC 440V 50/60Hz	CJ19-63/12 440V 50/60Hz	244106
63A	3P	1NO+2NC	AC 440V 50Hz	CJ19-63/12 440V 50Hz	244107
63A	3P	1NO+2NC	AC 440V 60Hz	CJ19-63/12 440V 60Hz	244108
63A	3P	1NO+2NC	AC 48V 50/60Hz	CJ19-63/12 48V 50/60Hz	244109
63A	3P	1NO+2NC	AC 48V 50Hz	CJ19-63/12 48V 50Hz	244110
63A	3P	1NO+2NC	AC 48V 60Hz	CJ19-63/12 48V 60Hz	244111

Ith	Main Contacts	Auxiliary Contacts	Coil	Model Description	Code
63A	3P	2NO+1NC	AC 110V 50/60Hz	CJ19-63/21 110V 50/60Hz	244115
63A	3P	2NO+1NC	AC 110V 50Hz	CJ19-63/21 110V 50Hz	244116
63A	3P	2NO+1NC	AC 110V 60Hz	CJ19-63/21 110V 60Hz	244117
63A	3P	2NO+1NC	AC 127V 50/60Hz	CJ19-63/21 127V 50/60Hz	244118
63A	3P	2NO+1NC	AC 127V 50Hz	CJ19-63/21 127V 50Hz	244119
63A	3P	2NO+1NC	AC 127V 60Hz	CJ19-63/21 127V 60Hz	244120
63A	3P	2NO+1NC	AC 220V 50/60Hz	CJ19-63/21 220V 50/60Hz	244121
63A	3P	2NO+1NC	AC 220V 50Hz	CJ19-63/21 220V 50Hz	244122
63A	3P	2NO+1NC	AC 220V 60Hz	CJ19-63/21 220V 60Hz	244123
63A	3P	2NO+1NC	AC 230V 50/60Hz	CJ19-63/21 230V 50/60Hz	244124
63A	3P	2NO+1NC	AC 230V 50Hz	CJ19-63/21 230V 50Hz	244125
63A	3P	2NO+1NC	AC 230V 60Hz	CJ19-63/21 230V 60Hz	244126
63A	3P	2NO+1NC	AC 240V 50/60Hz	CJ19-63/21 240V 50/60Hz	244127
63A	3P	2NO+1NC	AC 240V 50Hz	CJ19-63/21 240V 50Hz	244128
63A	3P	2NO+1NC	AC 240V 60Hz	CJ19-63/21 240V 60Hz	244129
63A	3P	2NO+1NC	AC 24V 50/60Hz	CJ19-63/21 24V 50/60Hz	244130
63A	3P	2NO+1NC	AC 24V 50Hz	CJ19-63/21 24V 50Hz	244131
63A	3P	2NO+1NC	AC 24V 60Hz	CJ19-63/21 24V 60Hz	244132
63A	3P	2NO+1NC	AC 36V 50/60Hz	CJ19-63/21 36V 50/60Hz	244133
63A	3P	2NO+1NC	AC 36V 50Hz	CJ19-63/21 36V 50Hz	244134
63A	3P	2NO+1NC	AC 36V 60Hz	CJ19-63/21 36V 60Hz	244135
63A	3P	2NO+1NC	AC 380V 50/60Hz	CJ19-63/21 380V 50/60Hz	244136
63A	3P	2NO+1NC	AC 380V 50Hz	CJ19-63/21 380V 50Hz	244137
63A	3P	2NO+1NC	AC 380V 60Hz	CJ19-63/21 380V 60Hz	244138
63A	3P	2NO+1NC	AC 400V 50/60Hz	CJ19-63/21 400V 50/60Hz	244139
63A	3P	2NO+1NC	AC 400V 50Hz	CJ19-63/21 400V 50Hz	244140
63A	3P	2NO+1NC	AC 400V 60Hz	CJ19-63/21 400V 60Hz	244141
63A	3P	2NO+1NC	AC 415V 50/60Hz	CJ19-63/21 415V 50/60Hz	244142
63A	3P	2NO+1NC	AC 415V 50Hz	CJ19-63/21 415V 50Hz	244143
63A	3P	2NO+1NC	AC 415V 60Hz	CJ19-63/21 415V 60Hz	244144
63A	3P	2NO+1NC	AC 42V 50/60Hz	CJ19-63/21 42V 50/60Hz	244145
63A	3P	2NO+1NC	AC 42V 50Hz	CJ19-63/21 42V 50Hz	244146
63A	3P	2NO+1NC	AC 42V 60Hz	CJ19-63/21 42V 60Hz	244147
63A	3P	2NO+1NC	AC 440V 50/60Hz	CJ19-63/21 440V 50/60Hz	244148
63A	3P	2NO+1NC	AC 440V 50Hz	CJ19-63/21 440V 50Hz	244149
63A	3P	2NO+1NC	AC 440V 60Hz	CJ19-63/21 440V 60Hz	244150
63A	3P	2NO+1NC	AC 48V 50/60Hz	CJ19-63/21 48V 50/60Hz	244151
63A	3P	2NO+1NC	AC 48V 50Hz	CJ19-63/21 48V 50Hz	244152
63A	3P	2NO+1NC	AC 48V 60Hz	CJ19-63/21 48V 60Hz	244153
63A	3P	2NO+1NC	AC 480V 50/60Hz	CJ19-63/21 480V 50/60Hz	244237

Ith	Main Contacts	Auxiliary Contacts	Coil	Model Description	Code
95A	3P	1NO+2NC	AC 110V 50/60Hz	CJ19-95/12 110V 50/60Hz	244154
95A	3P	1NO+2NC	AC 110V 50Hz	CJ19-95/12 110V 50Hz	244155
95A	3P	1NO+2NC	AC 110V 60Hz	CJ19-95/12 110V 60Hz	244156
95A	3P	1NO+2NC	AC 127V 50/60Hz	CJ19-95/12 127V 50/60Hz	244157
95A	3P	1NO+2NC	AC 127V 50Hz	CJ19-95/12 127V 50Hz	244158
95A	3P	1NO+2NC	AC 127V 60Hz	CJ19-95/12 127V 60Hz	244159
95A	3P	1NO+2NC	AC 220V 50/60Hz	CJ19-95/12 220V 50/60Hz	244160
95A	3P	1NO+2NC	AC 220V 50Hz	CJ19-95/12 220V 50Hz	244161
95A	3P	1NO+2NC	AC 220V 60Hz	CJ19-95/12 220V 60Hz	244162
95A	3P	1NO+2NC	AC 230V 50/60Hz	CJ19-95/12 230V 50/60Hz	244163
95A	3P	1NO+2NC	AC 230V 50Hz	CJ19-95/12 230V 50Hz	244164
95A	3P	1NO+2NC	AC 230V 60Hz	CJ19-95/12 230V 60Hz	244165
95A	3P	1NO+2NC	AC 240V 50/60Hz	CJ19-95/12 240V 50/60Hz	244166
95A	3P	1NO+2NC	AC 240V 50Hz	CJ19-95/12 240V 50Hz	244167
95A	3P	1NO+2NC	AC 240V 60Hz	CJ19-95/12 240V 60Hz	244168
95A	3P	1NO+2NC	AC 24V 50/60Hz	CJ19-95/12 24V 50/60Hz	244169
95A	3P	1NO+2NC	AC 24V 50Hz	CJ19-95/12 24V 50Hz	244170
95A	3P	1NO+2NC	AC 24V 60Hz	CJ19-95/12 24V 60Hz	244171
95A	3P	1NO+2NC	AC 36V 50/60Hz	CJ19-95/12 36V 50/60Hz	244172
95A	3P	1NO+2NC	AC 36V 50Hz	CJ19-95/12 36V 50Hz	244173
95A	3P	1NO+2NC	AC 36V 60Hz	CJ19-95/12 36V 60Hz	244174
95A	3P	1NO+2NC	AC 380V 50/60Hz	CJ19-95/12 380V 50/60Hz	244175
95A	3P	1NO+2NC	AC 380V 50Hz	CJ19-95/12 380V 50Hz	244176
95A	3P	1NO+2NC	AC 380V 60Hz	CJ19-95/12 380V 60Hz	244177
95A	3P	1NO+2NC	AC 400V 50/60Hz	CJ19-95/12 400V 50/60Hz	244178
95A	3P	1NO+2NC	AC 400V 50Hz	CJ19-95/12 400V 50Hz	244179
95A	3P	1NO+2NC	AC 400V 60Hz	CJ19-95/12 400V 60Hz	244180
95A	3P	1NO+2NC	AC 415V 50/60Hz	CJ19-95/12 415V 50/60Hz	244181
95A	3P	1NO+2NC	AC 415V 50Hz	CJ19-95/12 415V 50Hz	244182
95A	3P	1NO+2NC	AC 415V 60Hz	CJ19-95/12 415V 60Hz	244183
95A	3P	1NO+2NC	AC 42V 50/60Hz	CJ19-95/12 42V 50/60Hz	244184
95A	3P	1NO+2NC	AC 42V 50Hz	CJ19-95/12 42V 50Hz	244185
95A	3P	1NO+2NC	AC 42V 60Hz	CJ19-95/12 42V 60Hz	244186
95A	3P	1NO+2NC	AC 440V 50/60Hz	CJ19-95/12 440V 50/60Hz	244187
95A	3P	1NO+2NC	AC 440V 50Hz	CJ19-95/12 440V 50Hz	244188
95A	3P	1NO+2NC	AC 440V 60Hz	CJ19-95/12 440V 60Hz	244189
95A	3P	1NO+2NC	AC 48V 50/60Hz	CJ19-95/12 48V 50/60Hz	244190
95A	3P	1NO+2NC	AC 48V 50Hz	CJ19-95/12 48V 50Hz	244191
95A	3P	1NO+2NC	AC 48V 60Hz	CJ19-95/12 48V 60Hz	244192

lth	Main Contacts	Auxiliary Contacts	Coil	Model Description	Code
95A	3P	2NO+1NC	AC 110V 50/60Hz	CJ19-95/21 110V 50/60Hz	244193
95A	3P	2NO+1NC	AC 110V 50Hz	CJ19-95/21 110V 50Hz	244194
95A	3P	2NO+1NC	AC 110V 60Hz	CJ19-95/21 110V 60Hz	244195
95A	3P	2NO+1NC	AC 127V 50/60Hz	CJ19-95/21 127V 50/60Hz	244196
95A	3P	2NO+1NC	AC 127V 50Hz	CJ19-95/21 127V 50Hz	244197
95A	3P	2NO+1NC	AC 127V 60Hz	CJ19-95/21 127V 60Hz	244198
95A	3P	2NO+1NC	AC 220V 50/60Hz	CJ19-95/21 220V 50/60Hz	244199
95A	3P	2NO+1NC	AC 220V 50Hz	CJ19-95/21 220V 50Hz	244200
95A	3P	2NO+1NC	AC 220V 60Hz	CJ19-95/21 220V 60Hz	244201
95A	3P	2NO+1NC	AC 230V 50/60Hz	CJ19-95/21 230V 50/60Hz	244202
95A	3P	2NO+1NC	AC 230V 50Hz	CJ19-95/21 230V 50Hz	244203
95A	3P	2NO+1NC	AC 230V 60Hz	CJ19-95/21 230V 60Hz	244204
95A	3P	2NO+1NC	AC 240V 50/60Hz	CJ19-95/21 240V 50/60Hz	244205
95A	3P	2NO+1NC	AC 240V 50Hz	CJ19-95/21 240V 50Hz	244206
95A	3P	2NO+1NC	AC 240V 60Hz	CJ19-95/21 240V 60Hz	244207
95A	3P	2NO+1NC	AC 24V 50/60Hz	CJ19-95/21 24V 50/60Hz	244208
95A	3P	2NO+1NC	AC 24V 50Hz	CJ19-95/21 24V 50Hz	244209
95A	3P	2NO+1NC	AC 24V 60Hz	CJ19-95/21 24V 60Hz	244210
95A	3P	2NO+1NC	AC 36V 50/60Hz	CJ19-95/21 36V 50/60Hz	244211
95A	3P	2NO+1NC	AC 36V 50Hz	CJ19-95/21 36V 50Hz	244212
95A	3P	2NO+1NC	AC 36V 60Hz	CJ19-95/21 36V 60Hz	244213
95A	3P	2NO+1NC	AC 380V 50/60Hz	CJ19-95/21 380V 50/60Hz	244214
95A	3P	2NO+1NC	AC 380V 50Hz	CJ19-95/21 380V 50Hz	244215
95A	3P	2NO+1NC	AC 380V 60Hz	CJ19-95/21 380V 60Hz	244216
95A	3P	2NO+1NC	AC 400V 50/60Hz	CJ19-95/21 400V 50/60Hz	244217
95A	3P	2NO+1NC	AC 400V 50Hz	CJ19-95/21 400V 50Hz	244218
95A	3P	2NO+1NC	AC 400V 60Hz	CJ19-95/21 400V 60Hz	244219
95A	3P	2NO+1NC	AC 415V 50/60Hz	CJ19-95/21 415V 50/60Hz	244220
95A	3P	2NO+1NC	AC 415V 50Hz	CJ19-95/21 415V 50Hz	244221
95A	3P	2NO+1NC	AC 415V 60Hz	CJ19-95/21 415V 60Hz	244222
95A	3P	2NO+1NC	AC 42V 50/60Hz	CJ19-95/21 42V 50/60Hz	244223
95A	3P	2NO+1NC	AC 42V 50Hz	CJ19-95/21 42V 50Hz	244224
95A	3P	2NO+1NC	AC 42V 60Hz	CJ19-95/21 42V 60Hz	244225
95A	3P	2NO+1NC	AC 440V 50/60Hz	CJ19-95/21 440V 50/60Hz	244226
95A	3P	2NO+1NC	AC 440V 50Hz	CJ19-95/21 440V 50Hz	244227
95A	3P	2NO+1NC	AC 440V 60Hz	CJ19-95/21 440V 60Hz	244228
95A	3P	2NO+1NC	AC 48V 50/60Hz	CJ19-95/21 48V 50/60Hz	244229
95A	3P	2NO+1NC	AC 48V 50Hz	CJ19-95/21 48V 50Hz	244230
95A	3P	2NO+1NC	AC 48V 60Hz	CJ19-95/21 48V 60Hz	244231
95A	3P	2NO+1NC	AC 480V 50/60Hz	CJ19-95/21 480V 50/60Hz	244236

Ith	Main Contacts	Auxiliary Contacts	Coil	Model Description	Code
115A	3P	1NC	AC 240V 50/60Hz	CJ19-115/01 240V 50/60Hz	219943
115A	3P	1NC	AC 415V 50/60Hz	CJ19-115/01 415V 50/60Hz	219952
115A	3P	1NC	AC 110V 50/60Hz	CJ19-115/01 110V 50/60Hz	244382
115A	3P	1NC	AC 127V 50/60Hz	CJ19-115/01 127V 50/60Hz	244383
115A	3P	1NC	AC 220V 50/60Hz	CJ19-115/01 220V 50/60Hz	244384
115A	3P	1NC	AC 380V 50/60Hz	CJ19-115/01 380V 50/60Hz	244385
115A	3P	1NC	AC 380V 50Hz	CJ19-115/01 380V 50Hz	244386
115A	3P	1NC	AC 415V 50Hz	CJ19-115/01 415V 50Hz	244387
115A	3P	1NO	AC 240V 50/60Hz	CJ19-115/10 240V 50/60Hz	219944
115A	3P	1NO	AC 110V 50/60Hz	CJ19-115/10 110V 50/60Hz	244388
115A	3P	1NO	AC 127V 50/60Hz	CJ19-115/10 127V 50/60Hz	244389
115A	3P	1NO	AC 220V 50/60Hz	CJ19-115/10 220V 50/60Hz	244390
115A	3P	1NO	AC 230V 50/60Hz	CJ19-115/10 230V 50/60Hz	244391
115A	3P	1NO	AC 380V 50/60Hz	CJ19-115/10 380V 50/60Hz	244392
115A	3P	1NO	AC 380V 50Hz	CJ19-115/10 380V 50Hz	244393
115A	3P	1NO	AC 220V 50Hz	CJ19-115/10 220V 50Hz	244570
150A	3P	1NC	AC 240V 50/60Hz	CJ19-150/01 240V 50/60Hz	219946
150A	3P	1NC	AC 110V 50/60Hz	CJ19-150/01 110V 50/60Hz	244394
150A	3P	1NC	AC 127V 50/60Hz	CJ19-150/01 127V 50/60Hz	244395
150A	3P	1NC	AC 220V 50/60Hz	CJ19-150/01 220V 50/60Hz	244396
150A	3P	1NC	AC 380V 50/60Hz	CJ19-150/01 380V 50/60Hz	244397
150A	3P	1NC	AC 380V 50Hz	CJ19-150/01 380V 50Hz	244398
150A	3P	1NO	AC 240V 50/60Hz	CJ19-150/10 240V 50/60Hz	219947
150A	3P	1NO	AC 110V 50/60Hz	CJ19-150/10 110V 50/60Hz	244399
150A	3P	1NO	AC 127V 50/60Hz	CJ19-150/10 127V 50/60Hz	244400
150A	3P	1NO	AC 220V 50/60Hz	CJ19-150/10 220V 50/60Hz	244401
150A	3P	1NO	AC 230V 50/60Hz	CJ19-150/10 230V 50/60Hz	244402
150A	3P	1NO	AC 380V 50/60Hz	CJ19-150/10 380V 50/60Hz	244403
150A	3P	1NO	AC 380V 50Hz	CJ19-150/10 380V 50Hz	244404
150A	3P	1NO	AC 230V 50Hz	CJ19-150/10 230V 50Hz	244414



Ith	Main Contacts	Auxiliary Contacts	Coil	Model Description	Code
170A	3P	1NC	AC 240V 50/60Hz	CJ19-170/01 240V 50/60Hz	219949
170A	3P	1NC	AC 110V 50/60Hz	CJ19-170/01 110V 50/60Hz	244405
170A	3P	1NC	AC 127V 50/60Hz	CJ19-170/01 127V 50/60Hz	244406
170A	3P	1NC	AC 220V 50/60Hz	CJ19-170/01 220V 50/60Hz	244407
170A	3P	1NC	AC 380V 50/60Hz	CJ19-170/01 380V 50/60Hz	244408
170A	3P	1NO	AC 240V 50/60Hz	CJ19-170/10 240V 50/60Hz	219950
170A	3P	1NO	AC 110V 50/60Hz	CJ19-170/10 110V 50/60Hz	244409
170A	3P	1NO	AC 127V 50/60Hz	CJ19-170/10 127V 50/60Hz	244410
170A	3P	1NO	AC 220V 50/60Hz	CJ19-170/10 220V 50/60Hz	244411
170A	3P	1NO	AC 230V 50/60Hz	CJ19-170/10 230V 50/60Hz	244412
170A	3P	1NO	AC 380V 50/60Hz	CJ19-170/10 380V 50/60Hz	244413
170A	3P	1NO	AC 230V 50Hz	CJ19-170/10 230V 50Hz	244415