
CB- □ CX □

**MOULDED-CASE
CIRCUIT-BREAKER**

MCCB



2025.3.27

CB- □ CX □ Moulded Case Circuit Breaker

1.1 CB-63CX Moulded Case Circuit Breaker

1.2 CB-63CXZ Moulded Case Circuit Breaker

1.3 CB-125CX Moulded Case Circuit Breaker

1.4 CB-125CXZ Moulded Case Circuit Breaker

CB-63CX Moulded Case Circuit Breaker



Product overview

CB-63CX Moulded Case circuit breaker meets IEC 60947-2 standard. Suitable for AC 50Hz/60Hz, rated voltage up to 415V, rated current up to 63A, for overload and short circuit protection.

Main functions: overload protection and short circuit protection.

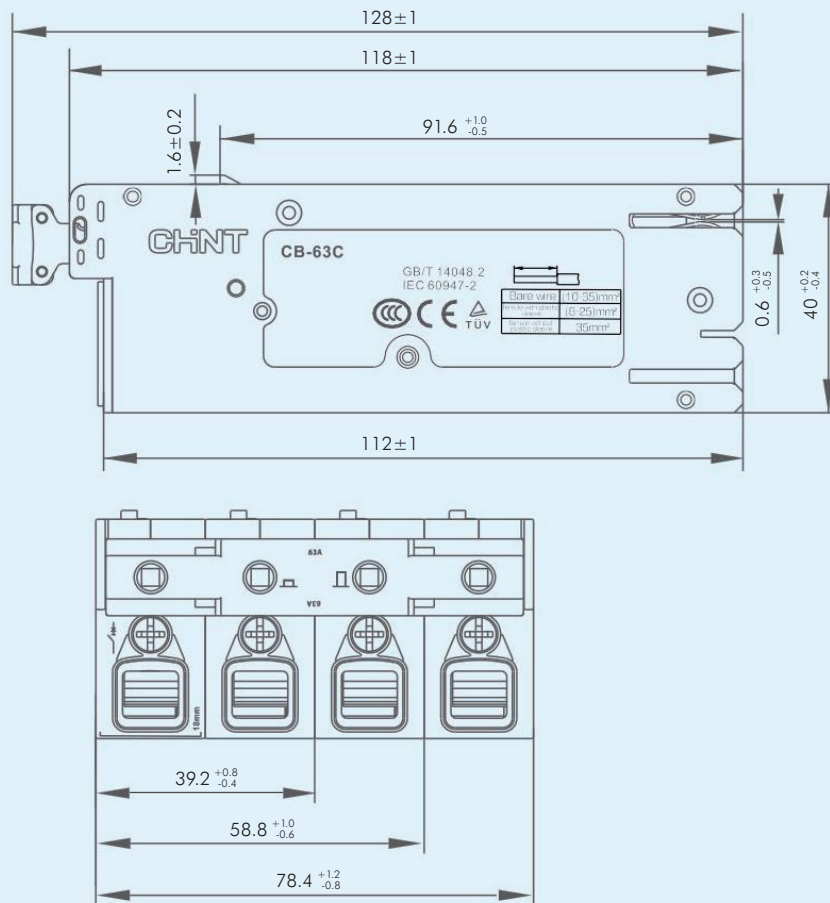
Standard: IEC 60947-2.

Compliance with certification: CE, TUV

Selection

CB	63	CX	2P	63
↓	↓	↓	↓	↓
CB Series	Frame size	Plug-in code	Poles	Rated current(A)

Dimensions



Unit: mm


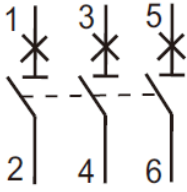
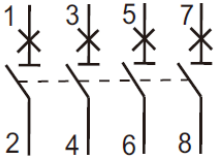
CB-63CX Moulded Case Circuit Breaker

Technical Parameters

Product type		CB-63CX
Rated current I_n (A)		6、10、16、20、25、32、40、50、63
Rated voltage U_e (V)		2P:AC 230/240 3P、4P:AC 400/415
Poles		2P、3P、4P
Mechanical life (times)		10000
Electrical life (times)		4000
Rated short circuit breaking capacity I_{cn} (A)		6000
Operating short circuit breaking capacity I_{cs} (A)		6000
Rated isolation voltage U_i (V)		500
Rated impulse withstand voltage U_{imp} (kV)		4
Terminal	Minimum connectable conductor crosssectional area (mm ²)	10
	Maximum connectable conductor crosssectional area (mm ²)	35
	Maximum tolerable torque (N·m)	2.0
	Wire insertion depth (mm)	25
Reference temperature (°C)		40
Working environment temperature (°C)		-40 ~ +70
Use altitude (m)		2000
Trip type		Thermomagnetic trip
Instantaneous trip type		8I _n (1+20%)
Incoming mode		Both upper and lower feed lines are acceptable.
Installation mode		plug-in
Class of pollution		3
protection grades	Installed directly	IP20
	Installed in the distribution box	IP40
Assemblable accessory		-

CB-63CX Moulded Case Circuit Breaker

CB	63	CX		2P	63A
↓	↓	↓	↓	↓	↓
Frame	Frame Size	Plug-in code	Voltage type	Poles	Rated current(A)
CB	63	CX	Blank: AC	2P 3P 4P	6A~63A

Diagram	Curve	Poles	In(A)	Icu(kA)	Ue(V)	Description	Code
	8In	2P	6	6	AC230/240	CB-63CX 2P 6A	471563
	8In	2P	10	6	AC230/240	CB-63CX 2P 10A	471564
	8In	2P	16	6	AC230/240	CB-63CX 2P 16A	471565
	8In	2P	20	6	AC230/240	CB-63CX 2P 20A	471566
	8In	2P	25	6	AC230/240	CB-63CX 2P 25A	471567
	8In	2P	32	6	AC230/240	CB-63CX 2P 32A	471568
	8In	2P	40	6	AC230/240	CB-63CX 2P 40A	471569
	8In	2P	50	6	AC230/240	CB-63CX 2P 50A	471570
	8In	2P	63	6	AC230/240	CB-63CX 2P 63A	471571
	8In	3P	6	6	AC400/415	CB-63CX 3P 6A	471572
	8In	3P	10	6	AC400/415	CB-63CX 3P 10A	471573
	8In	3P	16	6	AC400/415	CB-63CX 3P 16A	471574
	8In	3P	20	6	AC400/415	CB-63CX 3P 20A	471575
	8In	3P	25	6	AC400/415	CB-63CX 3P 25A	471576
	8In	3P	32	6	AC400/415	CB-63CX 3P 32A	471577
	8In	3P	40	6	AC400/415	CB-63CX 3P 40A	471578
	8In	3P	50	6	AC400/415	CB-63CX 3P 50A	471579
	8In	3P	63	6	AC400/415	CB-63CX 3P 63A	471580
	8In	4P	6	6	AC400/415	CB-63CX 4P 6A	471581
	8In	4P	10	6	AC400/415	CB-63CX 4P 10A	471582
	8In	4P	16	6	AC400/415	CB-63CX 4P 16A	471583
	8In	4P	20	6	AC400/415	CB-63CX 4P 20A	471584
	8In	4P	25	6	AC400/415	CB-63CX 4P 25A	471585
	8In	4P	32	6	AC400/415	CB-63CX 4P 32A	471586
	8In	4P	40	6	AC400/415	CB-63CX 4P 40A	471587
	8In	4P	50	6	AC400/415	CB-63CX 4P 50A	471588
	8In	4P	63	6	AC400/415	CB-63CX 4P 63A	471589

1.2

CB-63CXZ Moulded Case Circuit Breaker

Product Overview



CB-63CXZ Moulded case circuit breaker conforms to IEC 60947-2 standard. It is suitable for DC lines with a rated voltage of 80V and a rated current of 63A to protect against overload and short circuit.

Main functions: overload protection, short circuit protection

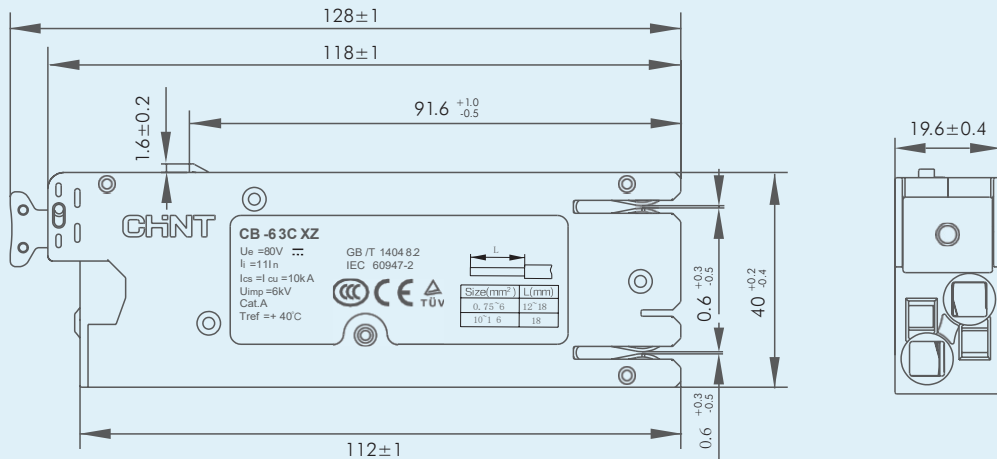
Standard: IEC 60947-2

Conformity certification: CE, TUV

Selection

CB	63	CX	Z	1P	63
↓	↓	↓	↓	↓	↓
CB Series	Frame size	Plug-in code	DC	Poles	Rated current(A)

Dimensions



Unit: mm

CB-63CXZ Moulded Case Circuit Breaker

Technical Parameters

Product type		CB-63CXZ
Rated current I_n (A)		6、10、16、20、25、32、40、50、63
Rated voltage U_e (V)		DC 80
Poles		1P
Mechanical life (times)		10000
Electrical life (times)		4000
Rated short circuit breaking capacity I_{cn} (A)		10000
Operating short circuit breaking capacity I_{cs} (A)		10000
Rated isolation voltage U_i (V)		500
Rated impulse withstand voltage U_{imp} (kV)		6
Terminal	Minimum connectable conductor crosssectional area (mm ²)	0.75
	Maximum connectable conductor crosssectional area (mm ²)	16
	Maximum tolerable torque (N·m)	-
	Wire insertion depth (mm)	25
Reference temperature (°C)		40
Working environment temperature (°C)		-40 ~ +70
Use altitude (m)		2000
Trip type		Thermomagnetic trip
Instantaneous trip type		11I _n (1+20%)
Incoming mode		from bottom
Installation mode		plug-in
Class of pollution		3
protection grades	Installed directly	IP20
	Installed in the distribution box	IP40
Assemblable accessory		-

CB-63CXZ Moulded Case Circuit Breaker

Current correction factor used at different ambient temperature

Rated current I_n (A)	Current correction factor under different ambient temperature (°C)												
	-40	-30	-20	-10	0	10	20	30	40	50	60	70	
63	1.36	1.32	1.28	1.24	1.2	1.16	1.12	1.08	1	0.95	0.95	0.9	

Current correction factor used at different altitudes


Current correction factor used at different altitudes		
≤2000m	2000m~3000m	3000m~5000m
1.0	0.9	0.8

Current correction value used at different number of side-by-side installation

Rated current I_n (A)	Current correction value used at different number of side-by-side installation							
	2	3	4	5	6	7	8	9
63	0.959	0.902	0.85	0.799	0.785	0.775	0.765	0.755

CB-63CXZ Moulded Case Circuit Breaker

CB	63	CX	Z	1P	63A
↓	↓	↓	↓	↓	↓
CB Series	Frame Size	Plug-in code	Voltage type	Poles	Rated current(A)
CB	63	CX	Z: DC	1P	6A~63A

Diagram	Curve	Poles	In(A)	Icu(kA)	Ue(V)	Description	Code
	11In	1P	6	10	DC80	CB-63CXZ 1P 6A	471590
	11In	1P	10	10	DC80	CB-63CXZ 1P 10A	471591
	11In	1P	16	10	DC80	CB-63CXZ 1P 16A	471592
	11In	1P	20	10	DC80	CB-63CXZ 1P 20A	471593
	11In	1P	25	10	DC80	CB-63CXZ 1P 25A	471594
	11In	1P	32	10	DC80	CB-63CXZ 1P 32A	471595
	11In	1P	40	10	DC80	CB-63CXZ 1P 40A	471596
	11In	1P	50	10	DC80	CB-63CXZ 1P 50A	471597
	11In	1P	63	10	DC80	CB-63CXZ 1P 63A	471598

1.3

CB-125CX Moulded Case Circuit Breaker

Product Overview



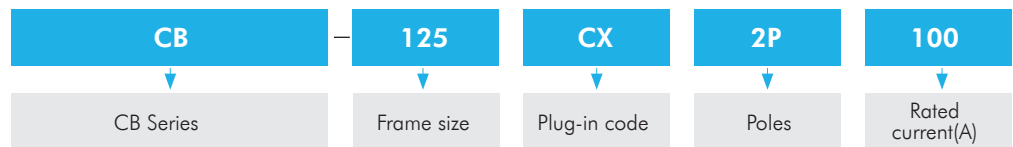
CB-125CX Moulded case circuit breaker conforms to IEC 60947-2 standard. It is applicable to lines with AC 50Hz/60Hz, rated voltage up to 415V, and rated current up to 125A for overload and short circuit protection.

Main functions: overload protection, short circuit protection

Standard: IEC 60947-2

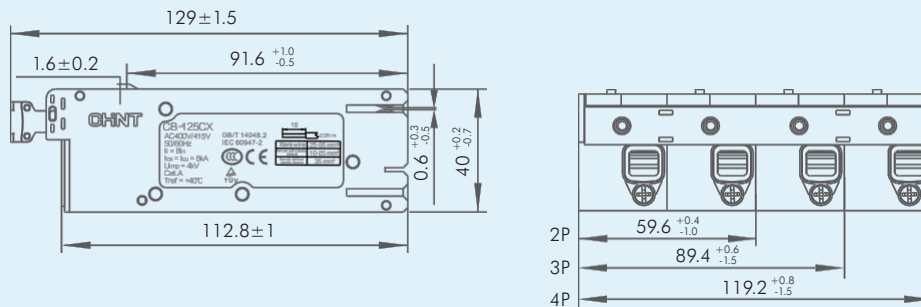
Conformity certification: CE, TUV

Selection

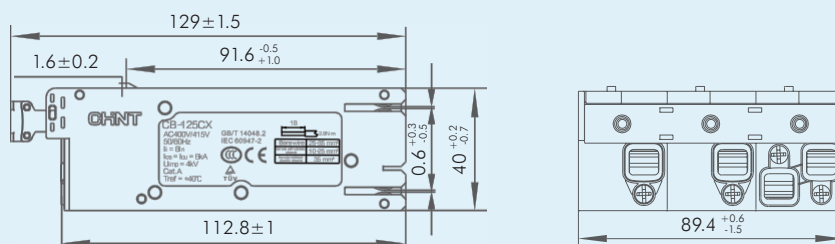


Dimensions

Side view of 2P/3P/4P



Side view of 3PN



Unit: mm

CB-125CX Moulded Case Circuit Breaker

Technical Parameters

Product type		CB-125CX
Rated current I_n (A)		80、100、125
Rated voltage U_e (V)		2P: AC 230/240 3P、3PN、4P: AC 400/415
Poles		2P、3P、3PN、4P
Mechanical life (times)		6000
Electrical life (times)		4000
Rated short circuit breaking capacity I_{cn} (A)		6000
Operating short circuit breaking capacity I_{cs} (A)		6000
Rated isolation voltage U_i (V)		500
Rated impulse withstand voltage U_{imp} (kV)		4
Terminal	Minimum connectable conductor cross-sectional area (mm ²)	10
	Maximum connectable conductor cross-sectional area (mm ²)	35
	Maximum tolerable torque (N·m)	2.0
	Wire insertion depth (mm)	25
Reference temperature (°C)		40
Working environment temperature (°C)		-40 ~ +70
Use altitude (m)		2000
Trip type		Thermomagnetic trip
Instantaneous trip type		8li(1+20%)
Incoming mode		Both upper and lower incoming lines are acceptable
Installation mode		plug-in
Class of pollution		3
protection grades	Installed directly	IP20
	Installed in the distribution box	IP40
Assemblable accessory		-

1.3

CB-125CX Moulded Case Circuit Breaker

CB	125	CX		2P	100A
↓	↓	↓	↓	↓	↓
Frame	Frame Size	Plug-in code	Voltage type	Poles	Rated current(A)
CB	125	CX	Blank: AC	2P 3P 3P+N 4P	80 100 125

Diagram	Curve	Poles	In(A)	Icu(kA)	Ue(V)	Description	Code
	8In	2P	80	6	AC230/240	CB-125CX 2P 80A	471756
	8In	2P	100	6	AC230/240	CB-125CX 2P 100A	471757
	8In	2P	125	6	AC230/240	CB-125CX 2P 125A	471758
	8In	3P	80	6	AC400/415	CB-125CX 3P 80A	471759
	8In	3P	100	6	AC400/415	CB-125CX 3P 100A	471760
	8In	3P	125	6	AC400/415	CB-125CX 3P 125A	471761
	8In	3P+N	80	6	AC400/415	CB-125CX 3P+N 80A	471762
	8In	3P+N	100	6	AC400/415	CB-125CX 3P+N 100A	471763
	8In	3P+N	125	6	AC400/415	CB-125CX 3P+N 125A	471764
	8In	4P	80	6	AC400/415	CB-125CX 4P 80A	471765
	8In	4P	100	6	AC400/415	CB-125CX 4P 100A	471766
	8In	4P	125	6	AC400/415	CB-125CX 4P 125A	471767

CB-125CXZ Moulded Case Circuit Breaker

Product Overview



CB-125CXZ Moulded case circuit breaker conforms to IEC 60947-2 standard. It is suitable for DC lines with rated voltage of 80V and rated current of 125A, and plays the role of overload and short circuit protection.

Main functions: overload protection and short circuit protection.

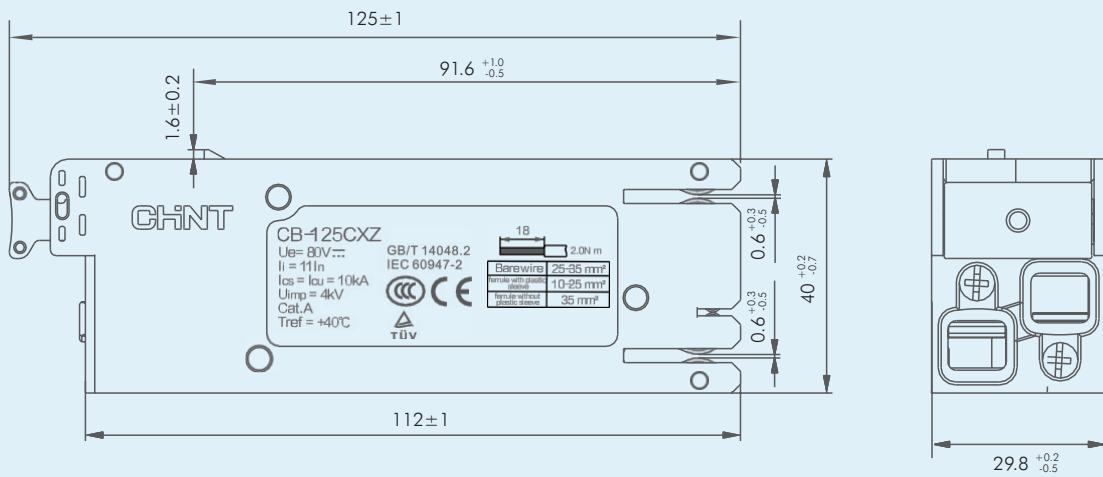
Standard: IEC 60947-2

Conformity certification: CE, TUV

Selection

CB	125	CX	Z	1P	100
↓	↓	↓	↓	↓	↓
CB Series	Frame size	Plug-in code	DC	Poles	Rated current(A)

Dimensions



Unit: mm

CB-125CXZ Moulded Case Circuit Breaker

Technical Parameters

Product type		CB-125CXZ
Rated current I_n (A)		80、100、125
Rated voltage U_e (V)		DC80
Poles		1P
Mechanical life (times)		10000
Electrical life (times)		4000
Rated short circuit breaking capacity I_{cn} (A)		10000
Operating short circuit breaking capacity I_{cs} (A)		10000
Rated isolation voltage U_i (V)		500
Rated impulse withstand voltage U_{imp} (kV)		4
Terminal	Minimum connectable conductor crosssectional area (mm ²)	10
	Maximum connectable conductor crosssectional area (mm ²)	35
	Maximum tolerable torque (N·m)	2.0
	Wire insertion depth (mm)	25
Reference temperature (°C)		40
Working environment temperature (°C)		-40 ~ +70
Use altitude (m)		2000
Trip type		Thermomagnetic trip
Instantaneous trip type		11I _n (1+20%)
Incoming mode		From bottom
Installation mode		plug-in
Class of pollution		3
protection grades	Installed directly	IP20
	Installed in the distribution box	IP40
Assemblable accessory		-

CB-125CXZ Moulded Case Circuit Breaker

Current correction factor used at different ambient temperature

In/ Rated current (A)	Current correction factor used at different ambient temperature											
	-40 C	-30 C	-20 C	-10 C	0 C	10 C	20 C	30 C	40 C	50 C	60 C	70 C
125	1.36	1.32	1.28	1.24	1.2	1.16	1.12	1.06	1.00	0.95	0.95	0.90

Current correction factor used at different altitudes

Current correction factor used at different altitudes		
≤2000m	2000m~3000m	3000m~5000m
1.0	0.9	0.8


Current correction value used at different number of side-by-side installation

Rated current In (A)	Current correction value used at different number of side-by-side installation								
	number	2	3	4	5	6	7	8	9
Current correction value		0.959	0.902	0.870	0.820	0.790	0.770	0.760	0.750

1.4

CB-125CXZ Moulded Case Circuit Breaker

CB	125	CX	Z	1P	100A
↓	↓	↓	↓	↓	↓
CB Series	Frame Size	Plug-in code	Voltage type	Poles	Rated current(A)
CB	125	CX	Z: DC	1P	80A 100A 125A

Diagram	Curve	Poles	In(A)	Icu(kA)	Ue(V)	Description	Code
	11In	1P	80	10	DC80	CB-125CXZ 1P 80A	472016
	11In	1P	100	10	DC80	CB-125CXZ 1P 100A	472017
	11In	1P	125	10	DC80	CB-125CXZ 1P 125A	472018