

## ⚠ Safety Warning

- ① The product can only be installed and maintained by professionals.
- ② Installation in any damp, condensed-phase environment with inflammable and explosive gas is forbidden.
- ③ When the product is being installed or maintained, the power must be switched off.
- ④ You are prohibited from touching the conductive part when the product is operating.
- ⑤ It is prohibited to let children play with the product or the package.
- ⑥ Tighten the wiring screws when installing the product to prevent wires from loose or being pulled out. Select wires strictly according to instructions and connect them to proper power supply and load.
- ⑦ The product cannot protect people from electric shock or against power imbalances.
- ⑧ Do not install the product at places where gas media can cause metal corrosion and insulation damage.
- ⑨ **The product is not suitable for the direct starting of high-inductive and high-capacity loads, such as fans, electric motors, electric heating equipment, capacitor cabinets, etc.**

## 1 Purpose of Use

The NB8-63, NB8-63H miniature circuit breakers are applicable to circuits with frequency of AC 50Hz, rated voltage up to 230/400 V and rated current up to 63 A. It provides overload and short circuit protection, and can also be used for infrequent switching of the circuit under normal circumstances.

## 2 Key Technical Parameters

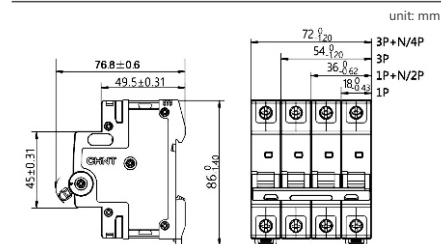
Table 1 Key Technical Parameters

Altitude	≤2,000 m
Pollution level	Level 2
Installation category	Class II and III
Rated operating voltage $U_e(V)$	AC 230 V/400 V (1P)
	AC 230 V (1P+N)
	AC 400 V (2P, 3P, 3P+N, 4P)
Rated short-circuit breaking capacity $I_{cn}$	6000A (NB8-63), 10000A (NB8-63H)
Enclosure protection class	IP20
Standard	IEC/EN 60898-1

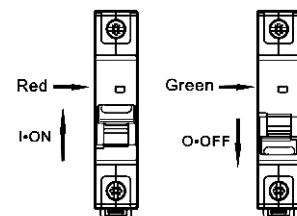
01

## 3 Installation

1. Outline and installation dimensions

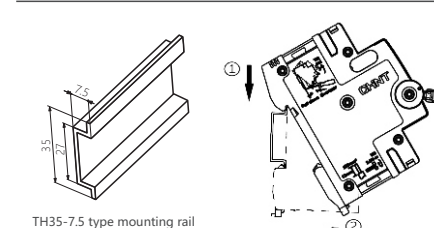


2. On-off indication



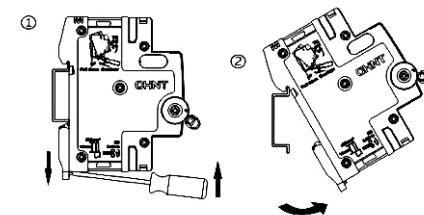
02

3. Installation



TH35-7.5 type mounting rail

4. Disassembly

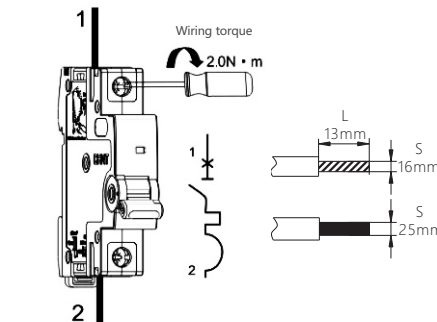


03

5. Wiring: copper wires only

Table 2 Copper wire cross-sectional area

Rated current $I_n$ (A)	Copper wire cross-sectional area $mm^2$
1-6	1
10	1.5
16, 20	2.5
25	4
32	6
40, 50	10
63	16



04

## 4 Maintenance

1. Check the circuit breaker on a regular basis during operation;
2. After the circuit breaker cuts off the overload or short-circuit current, the fault should be eliminated before closing the circuit breaker.

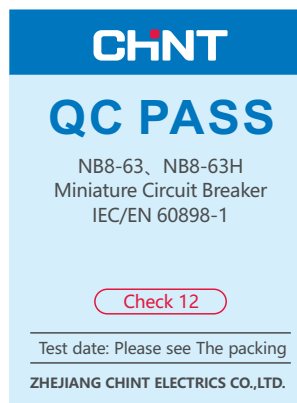
Table 3 Analysis and troubleshooting of common faults

Symptoms	Cause analysis	Troubleshooting method
The handle cannot close the circuit breaker	Short circuit at load end	Eliminate the fault
	Fault occurs to the operating mechanism.	Replace the product
Temperature is too high	The rated current of the circuit breaker does not match the load current	Replace with product of proper specifications
	The wire is loose or not properly fixed by wiring screws.	Tighten the wiring screws
No power	The cross-sectional area of the selected wire is too small	Replace with wire of proper specifications
	The wire strip length is too short.	Re-strip the wire
No power	The wire is loose or not properly fixed by wiring screws.	Tighten the wiring screws

05

## 5 Environmental Protection

In order to protect the environment, the product or product parts should be disposed of according to the industrial waste treatment process, or be sent to the recycling station for assortment, dismantling and recycling according to local regulation.



07



NB8-63, NB8-63H  
Miniature Circuit Breaker  
User Instruction

Zhejiang Chint Electrics Co., Ltd.

Add: No.1, CHINT Road, CHINT Industrial Zone, North Baixiang,  
Yueqing, Zhejiang 325603, P.R.China  
E-mail: global-sales@chint.com  
Website: http://en.chint.com



NO:2021.05



NB8-63, NB8-63H  
Miniature Circuit Breaker  
User Instruction

Standard: IEC/EN 60898-1